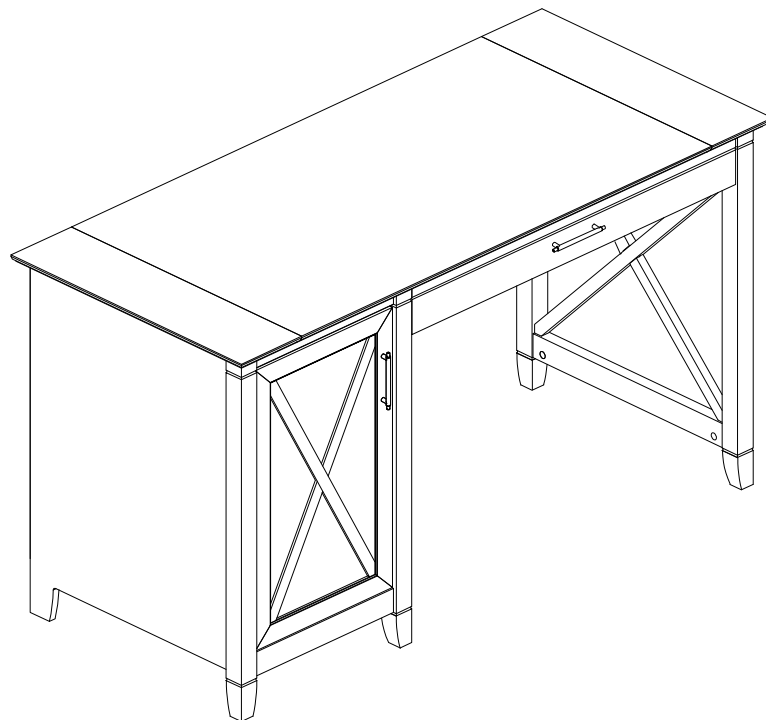


54W Single Pedestal Desk



Get Ready to Assemble

For best results, keep these tips in mind:

- ① We know you want to finish this assembly as quickly as possible, but trust us: you'll have a better experience if you take it one step at a time.
- ② Give yourself some room to work near where you want the fully assembled product.
- ③ If your floor isn't carpeted, assemble this product on the empty carton to avoid scratching.
- ④ Do you have a friend who owes you a favor? Some steps may go a little easier with a second set of hands.

DOs

- ✔ Use a #2 Phillips head screwdriver (or other handheld tools as indicated)
- ✔ Wear safety glasses at all times during assembly
- ✔ Carefully follow the instructions in this guide and complete all steps in order
- ✔ Give us a call if you're having trouble with a particularly tricky step

DON'Ts

- ✘ We know power tools are quick and easy, but you shouldn't use them when assembling this product (unless otherwise specified)
- ✘ Never move your furniture with items inside or resting on the surface
- ✘ Do not attempt to use this product before all steps have been completed

IMPORTANT SAFETY INFORMATION



PLEASE READ WARNINGS

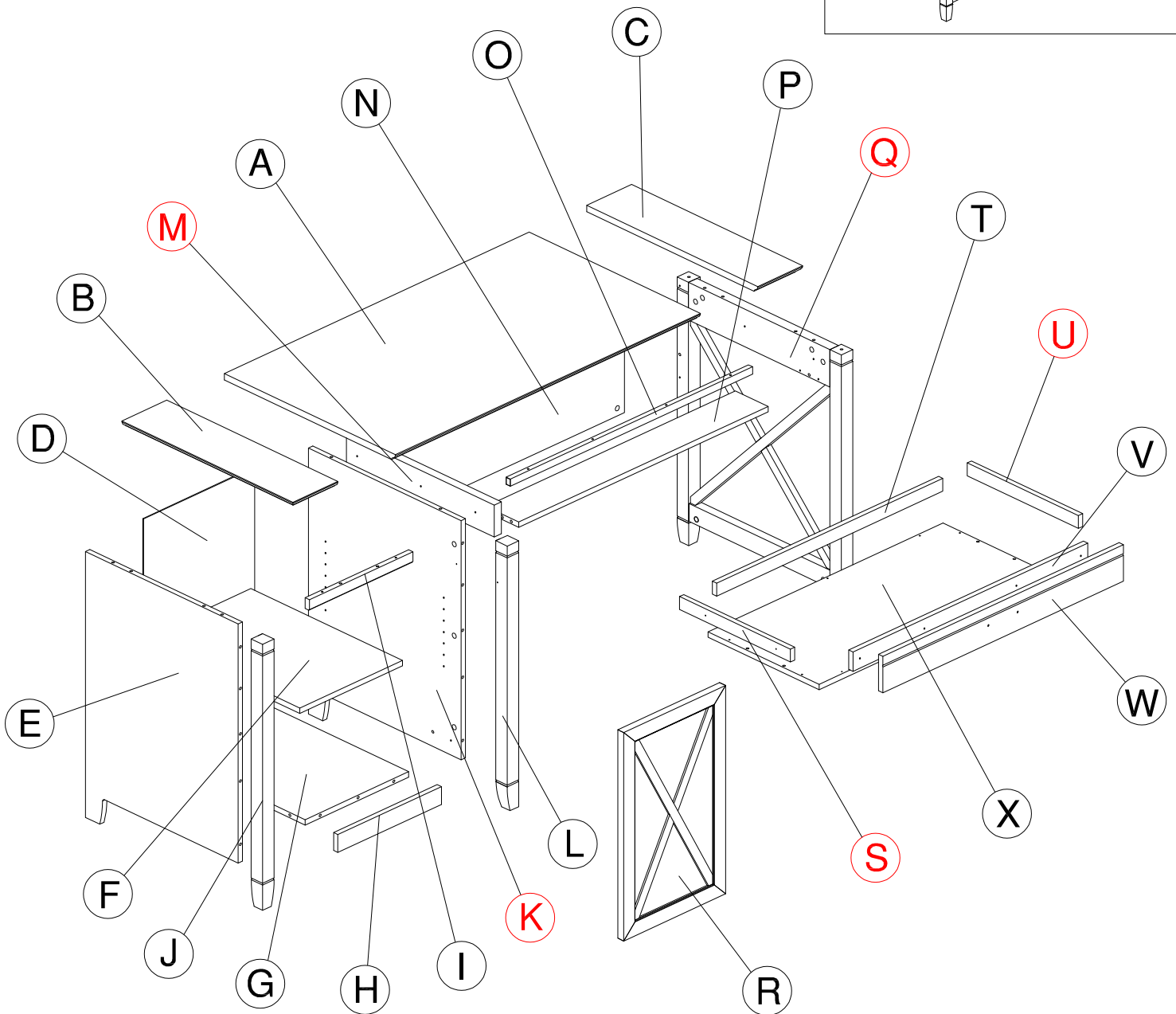
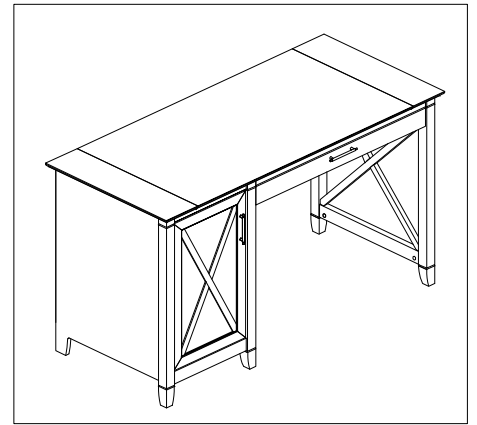
Improper use can cause safety hazards, or damage to your furniture and household items.

Warning	Do	Don't	Why it's important
Serious injury may occur.	<ul style="list-style-type: none">Assemble following all instructions using all indicated parts and hardware provided.	<ul style="list-style-type: none">Do not move unit when loaded.Do not load with a television or other heavy equipment.Do not exceed the maximum load limits stated in the instructions.	Improper assembly, use or loading can lead to product instability, tipover, or collapse.

Advertencia	Hacer	No	Por qué es importante
Pueden producirse lesiones graves.	<ul style="list-style-type: none">Realice el montaje siguiendo todas las instrucciones y utilizando todas las piezas indicadas y los herrajes suministrados.	<ul style="list-style-type: none">No mueva la unidad cuando esté cargada.No cargue el mueble con un televisor u otro equipo pesado.No supere los límites máximos de carga indicados en las instrucciones.	El montaje, uso o carga inadecuados pueden provocar inestabilidad, vuelco o colapso del producto.

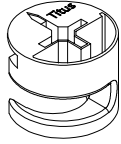
Avertissement	À faire	À ne pas faire	Pourquoi c'est important
Peut entraîner des blessures graves.	<ul style="list-style-type: none">Assembler en suivant toutes les instructions et en utilisant toutes les pièces et la quincaillerie incluses.	<ul style="list-style-type: none">Ne pas déplacer le meuble lorsqu'il est chargé.Ne pas charger le meuble avec un téléviseur ou tout autre équipement lourd.Ne pas dépasser les limites de poids maximales indiquées dans les instructions.	Un assemblage, une utilisation ou un chargement incorrects peuvent entraîner l'instabilité, le basculement ou l'effondrement du produit.

Get to know your Boards



Get to know your Fasteners

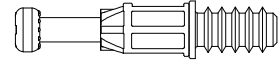
H181468



KD Cam

[28]

H72988



KD Bolt

[28]

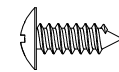
H38169



Wood Dowel
8 x 30mm

[27]

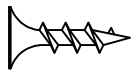
H211930



#8 -18x 15/32"

[6]

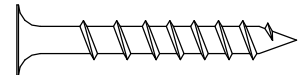
H153242



#8 x 5/8"

[8]

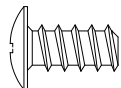
H23198



#10 x 1-1/2"

[13]

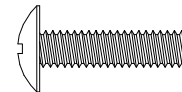
H146988



#12 x 1/2"

[2]

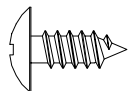
H158933



#8 x 3/4"

[4]

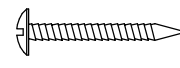
H35251



#10 x 1/2"

[16]

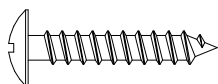
H34174



#3 x 3/4"

[18]

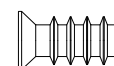
H150019



#8 x 1"

[7]

H195734



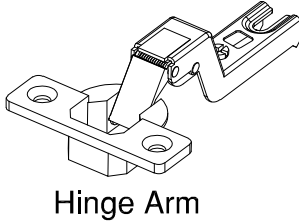
6.3x13mm ZINC

[4]

Get to know your Hardware

Hardware not to scale.

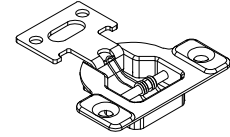
H170611



[2]

Hinge Arm

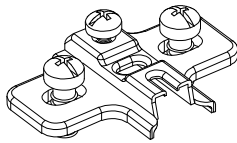
H180675



[2]

Hinge

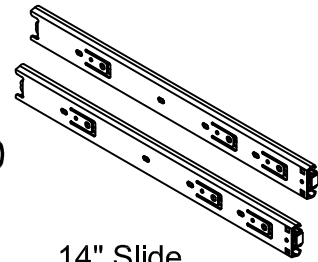
H170612



[2]

Mounting Plate

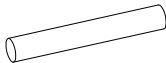
Q216340



[1]

14" Slide

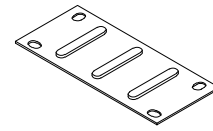
H23604



[4]

Shelf Pin 1"x 3/16"

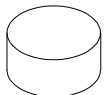
H39922



[4]

Strap

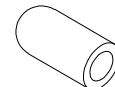
H180671



[2]

Bumper

H126396



[4]

Shelf Pin Sleeve

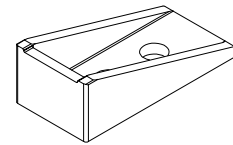
H77351



[1]

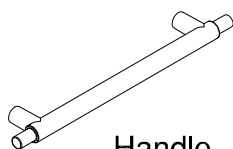
Ø10x2mm

H149994



[1]

Plastic Stop



[2]

Handle



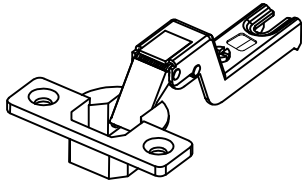
[14]

Cover Cap

STEP 1

Prepare Door

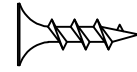
H170611



[2]

Hinge Arm

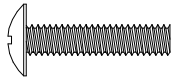
H153242



[4]

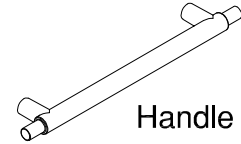
#8 x 5/8"

H158933



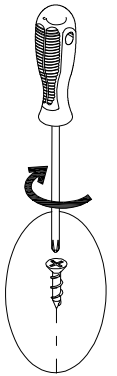
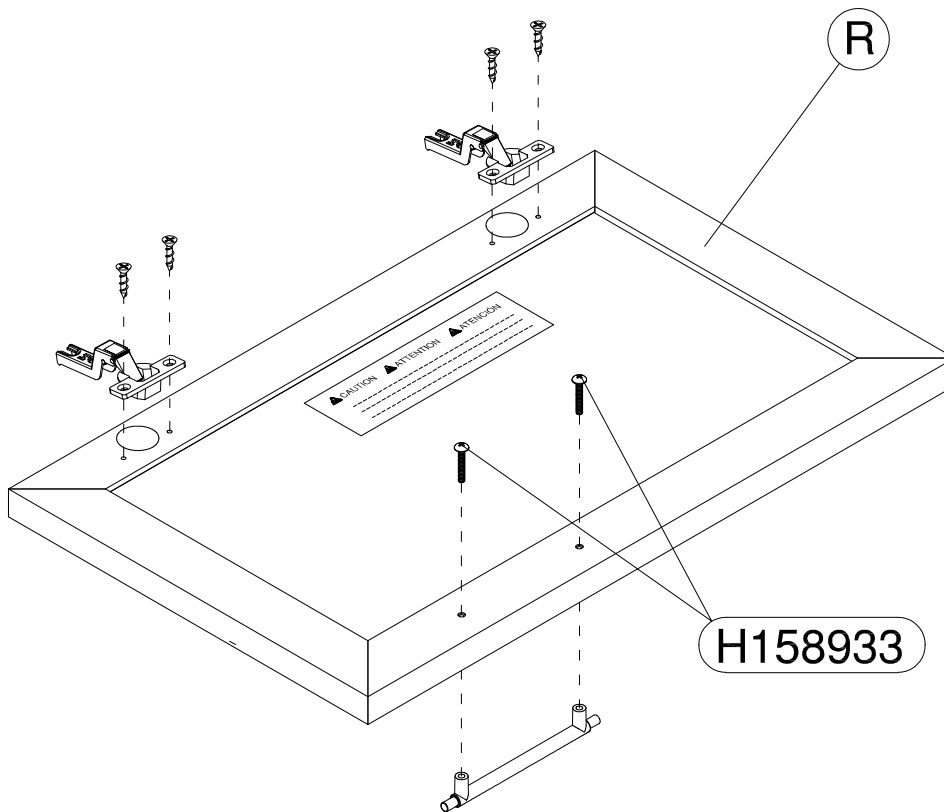
[2]

#8 x 3/4"



Handle

[1]



CAUTION

Electronic equipment may overheat causing damage. Do Not store electronic equipment behind doors.



ATTENTION

El equipo electrónico puede sobrecalentarse y causar daños. No almacene equipos electrónicos detrás de las puertas.



ATENCIÓN

L'équipement électronique peut surchauffer et causer des dommages. Ne stockez pas d'équipement électronique derrière des portes.

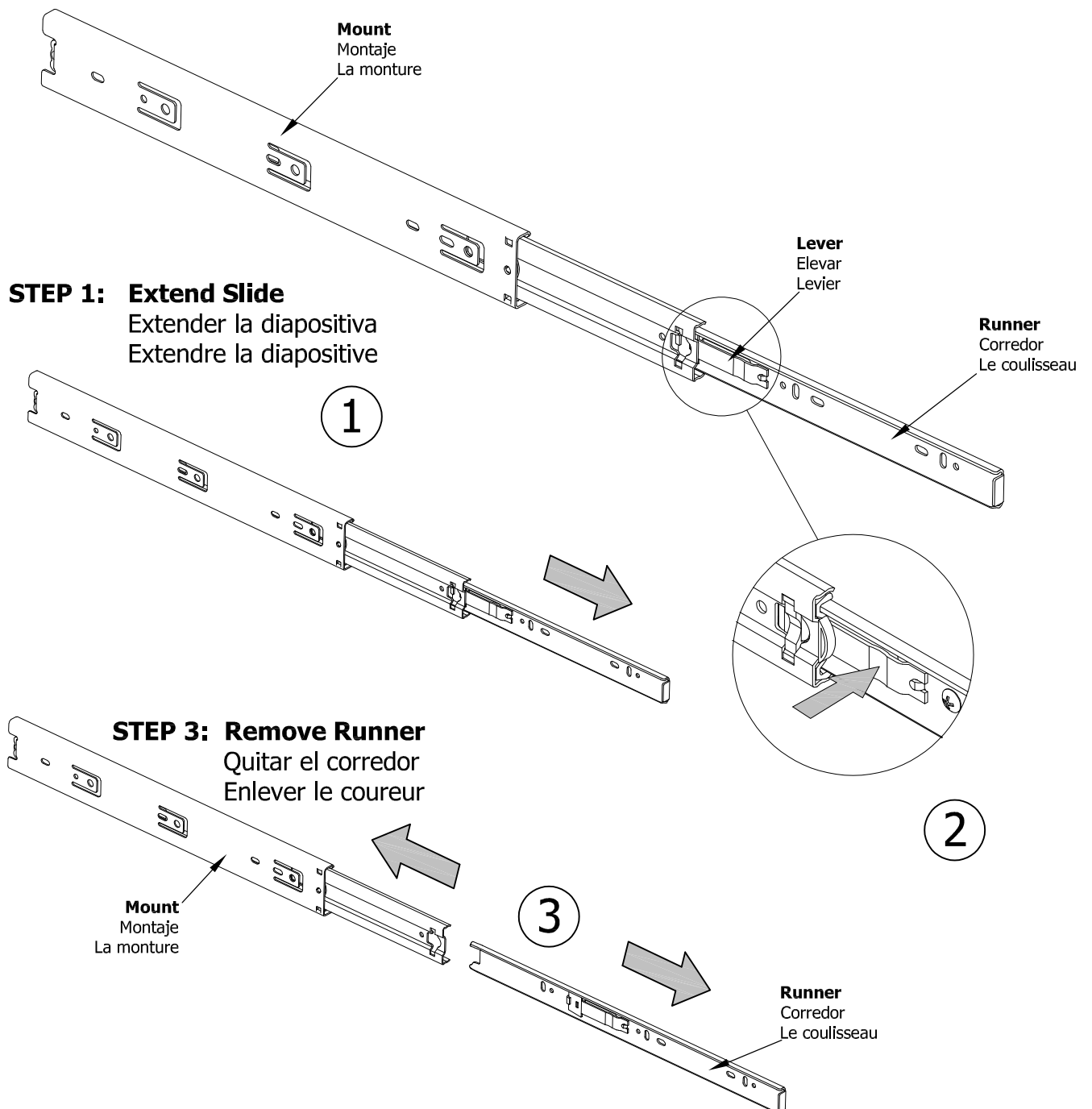
STEP 2

Separate Slides

**Slides Must Be Separated Before Assembly.
After Separated, Set Aside Until Needed for Assembly.**

Las diapositivas deben separarse antes del montaje.
Después de la separación, déjelo a un lado hasta que sea necesario.

Les glissières doivent être séparées avant l'assemblage.
Après la séparation, mettez de côté jusqu'au moment de l'assemblage.



STEP 3

Prepare Panels

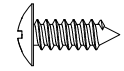
H38169



[6]

Wood Dowel
8 x 30mm

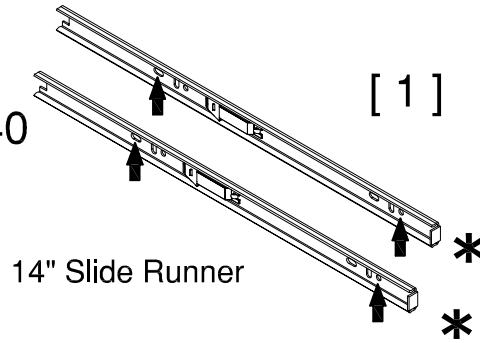
H211930



[4]

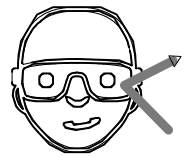
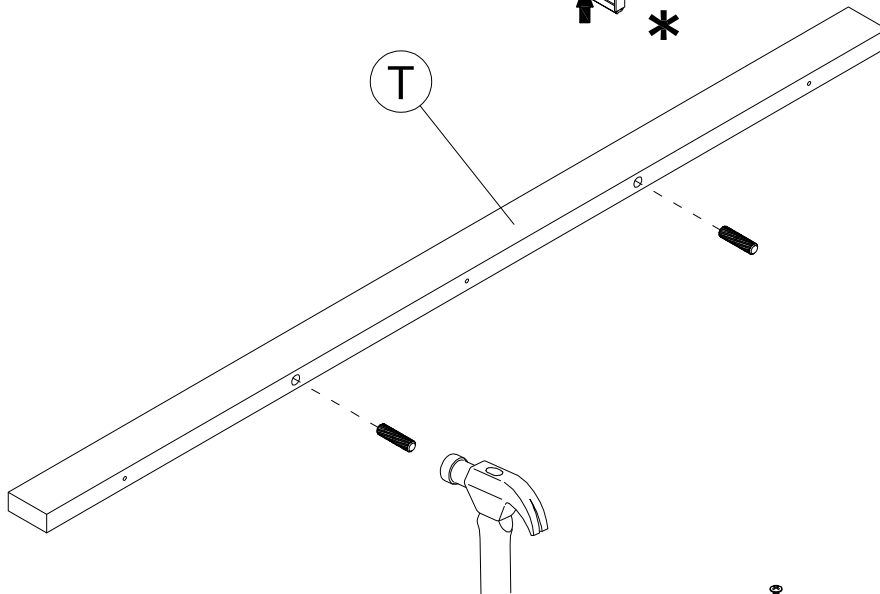
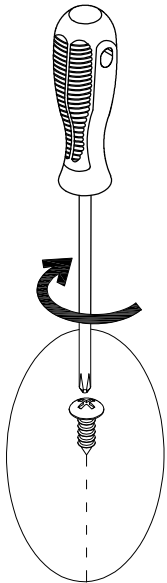
#8 -18x 15/32"

Q216340

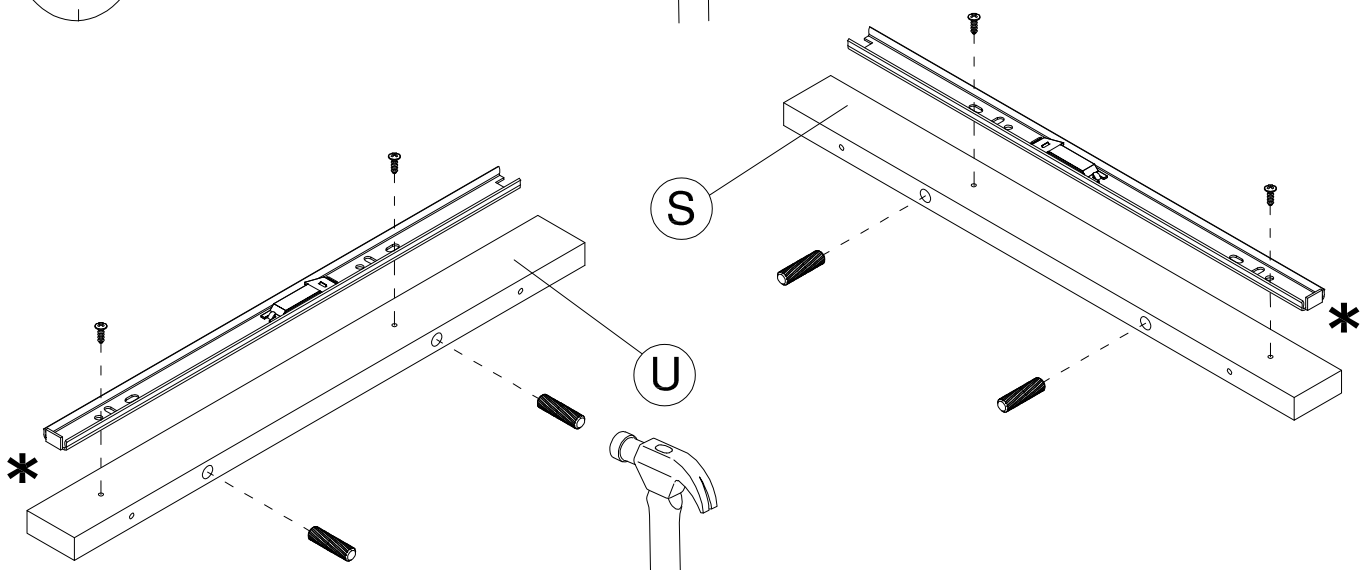


14" Slide Runner

[1]

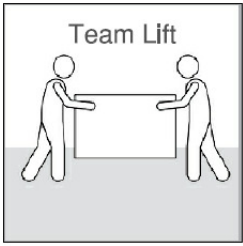


Safety glasses
Gafas de seguridad
Lunettes de protection

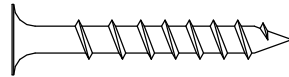


STEP 4

Assemble Panels



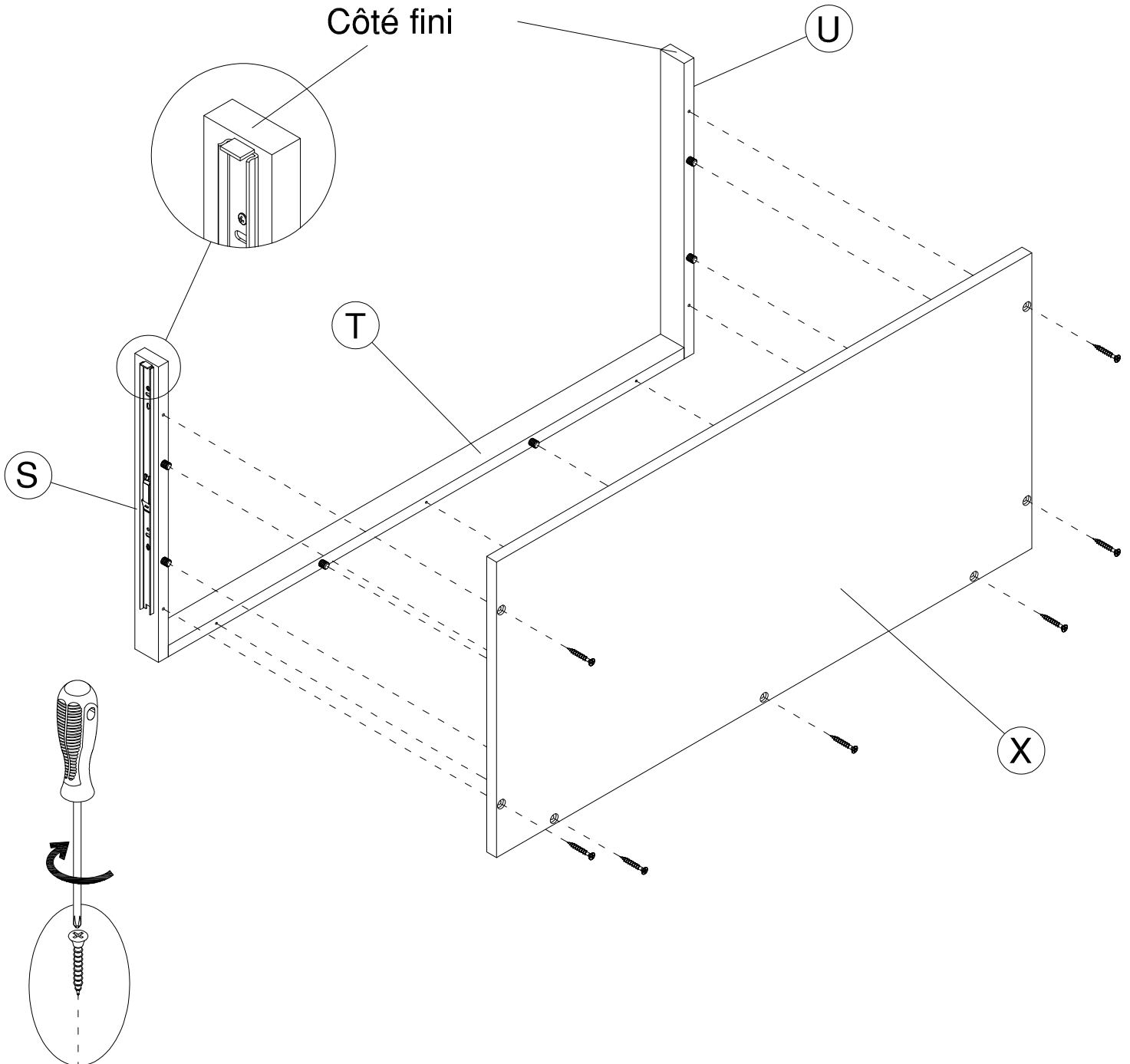
H23198



[7]

#10 x 1-1/2"

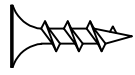
Finished edge
Borde terminado
Côté fini



STEP 5

Prepare Panel

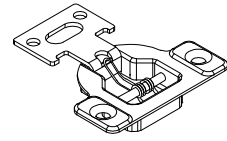
H153242



[4]

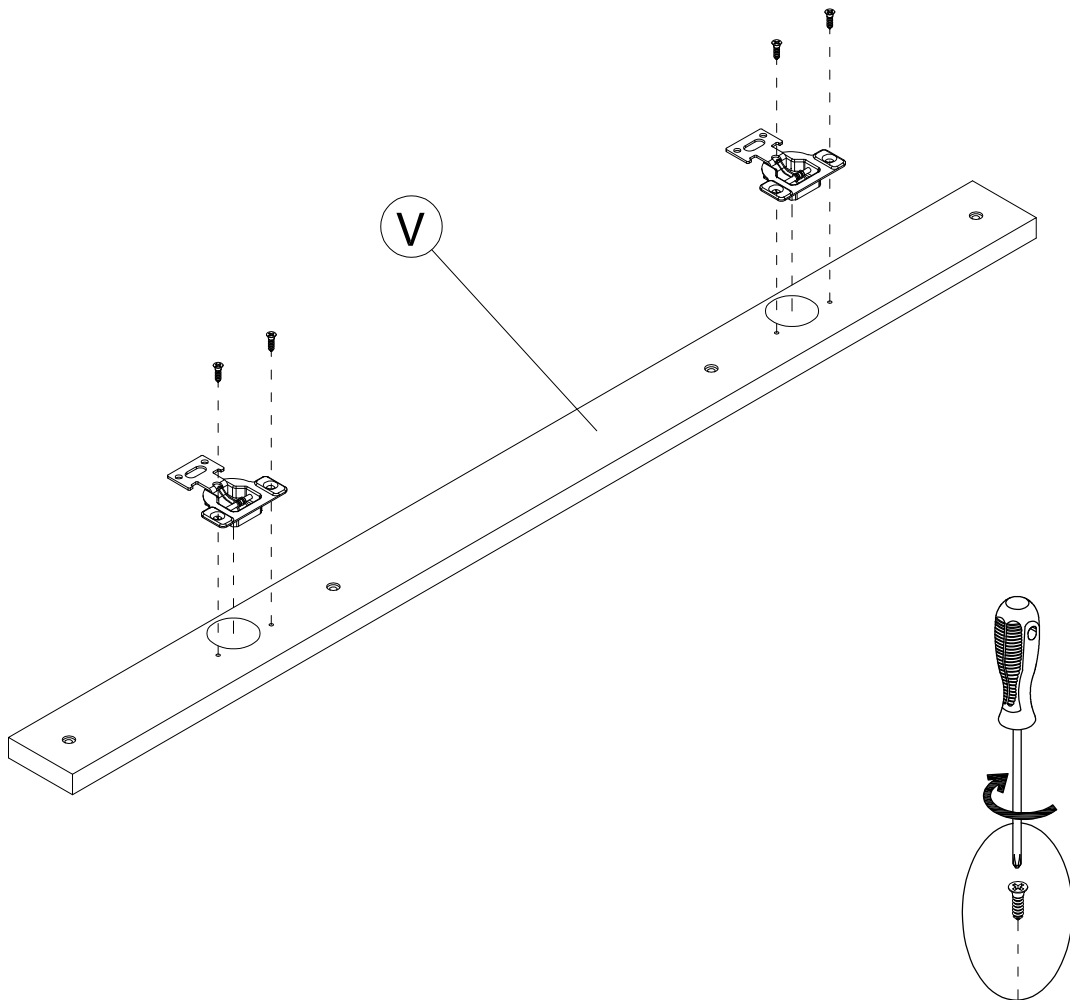
#8 x 5/8"

H180675



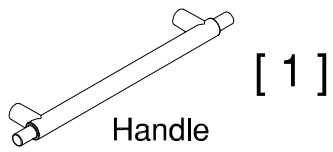
[2]

Hinge

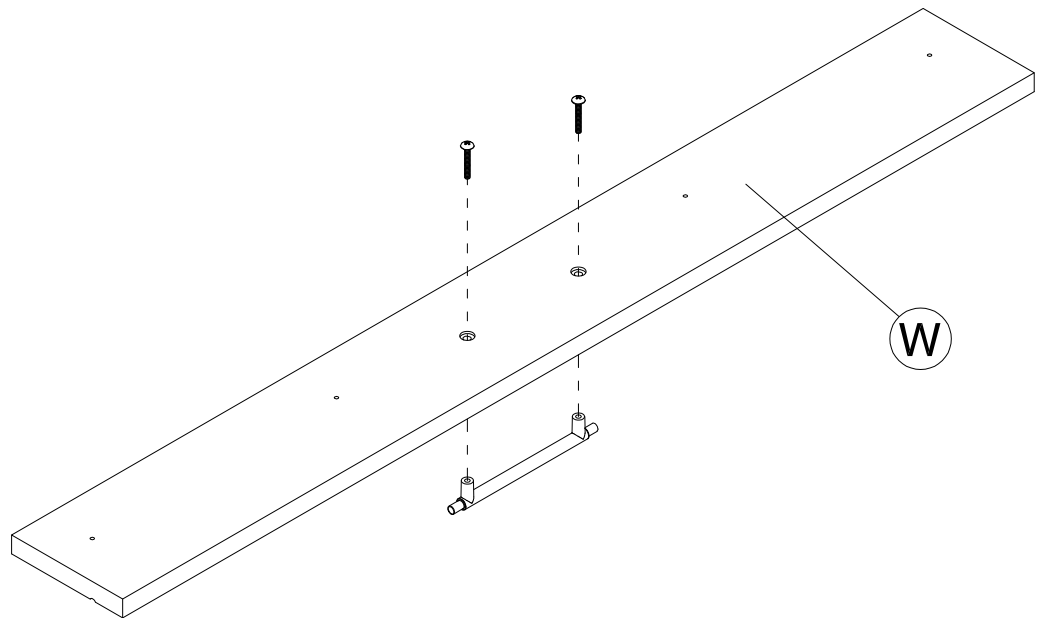
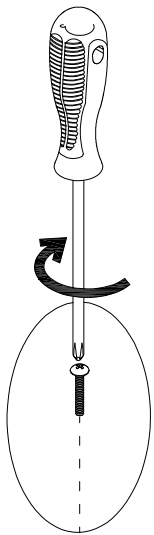
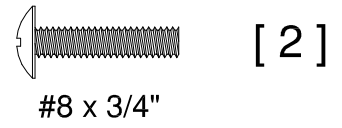


STEP 6

Prepare Panel



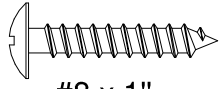
H158933



STEP 7

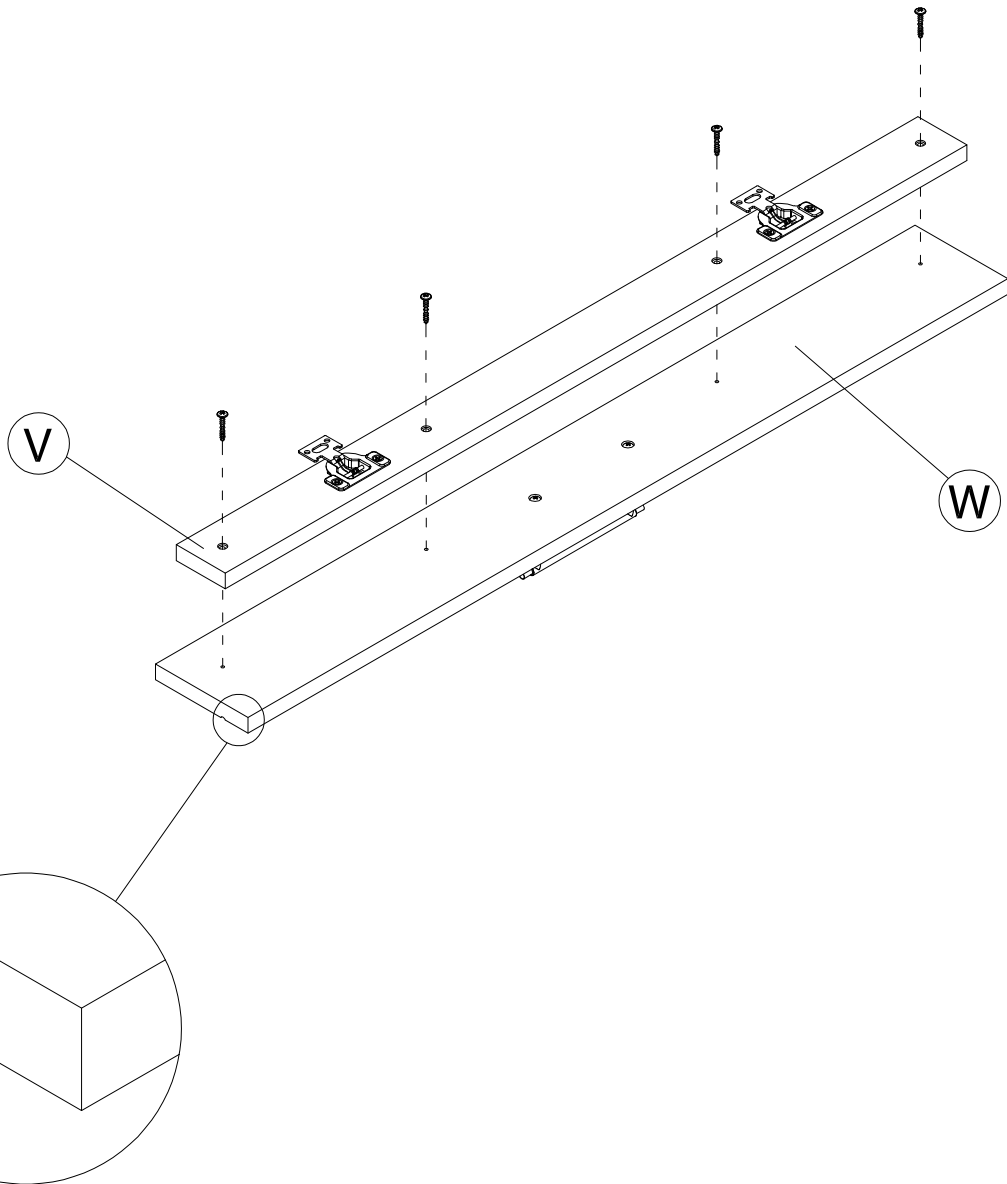
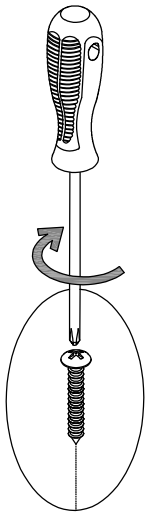
Assemble Panels

H150019



#8 x 1"

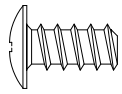
[4]



STEP 8

Assemble Panel

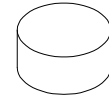
H146988



[2]

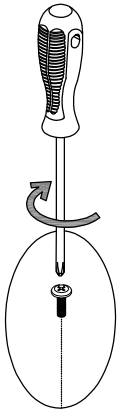
#12 x 1/2"

H180671



[2]

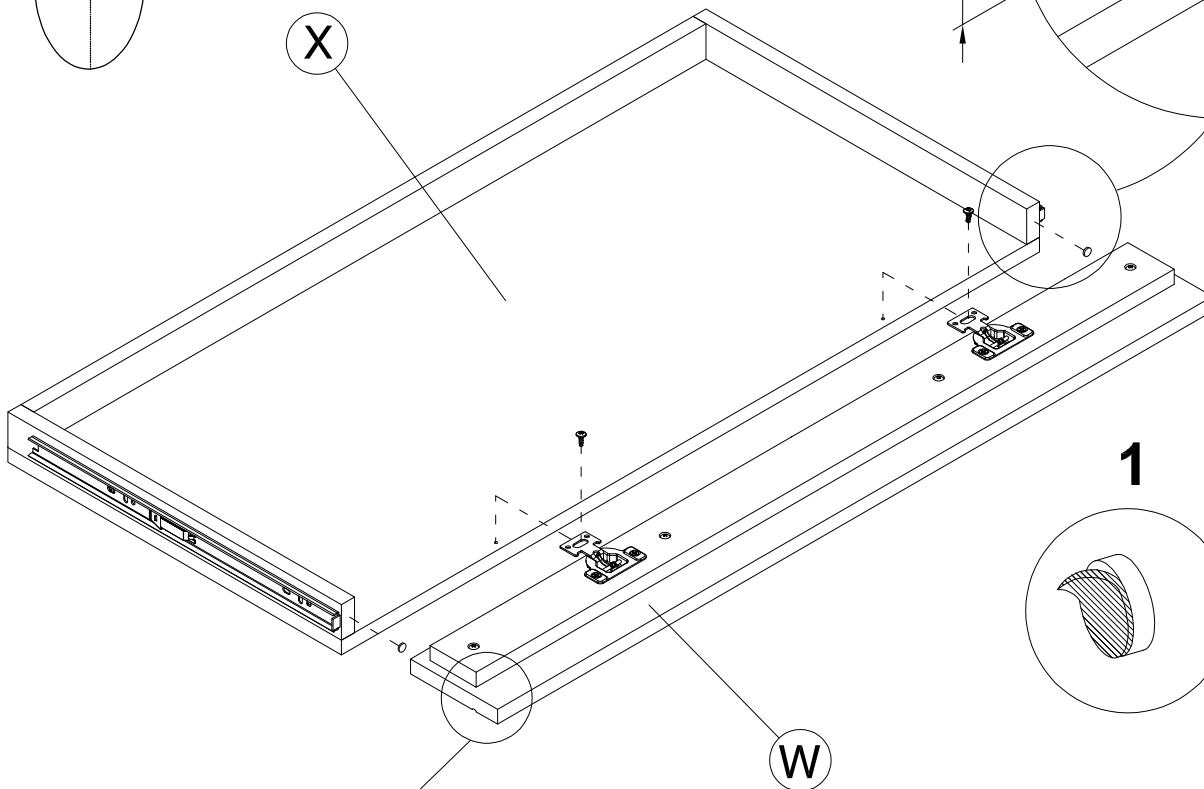
Bumper



X

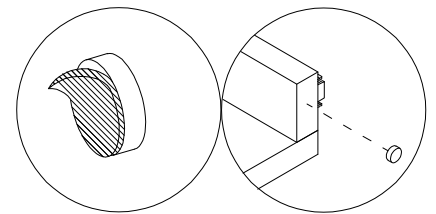
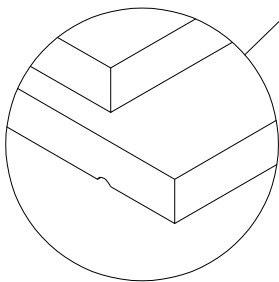
3/8"
10mm

5/16"
7.5mm



1

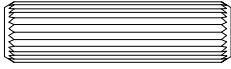
2



STEP 9

Prepare Panels

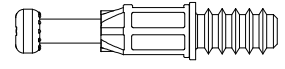
H38169



[4]

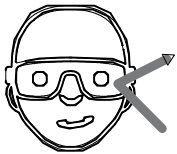
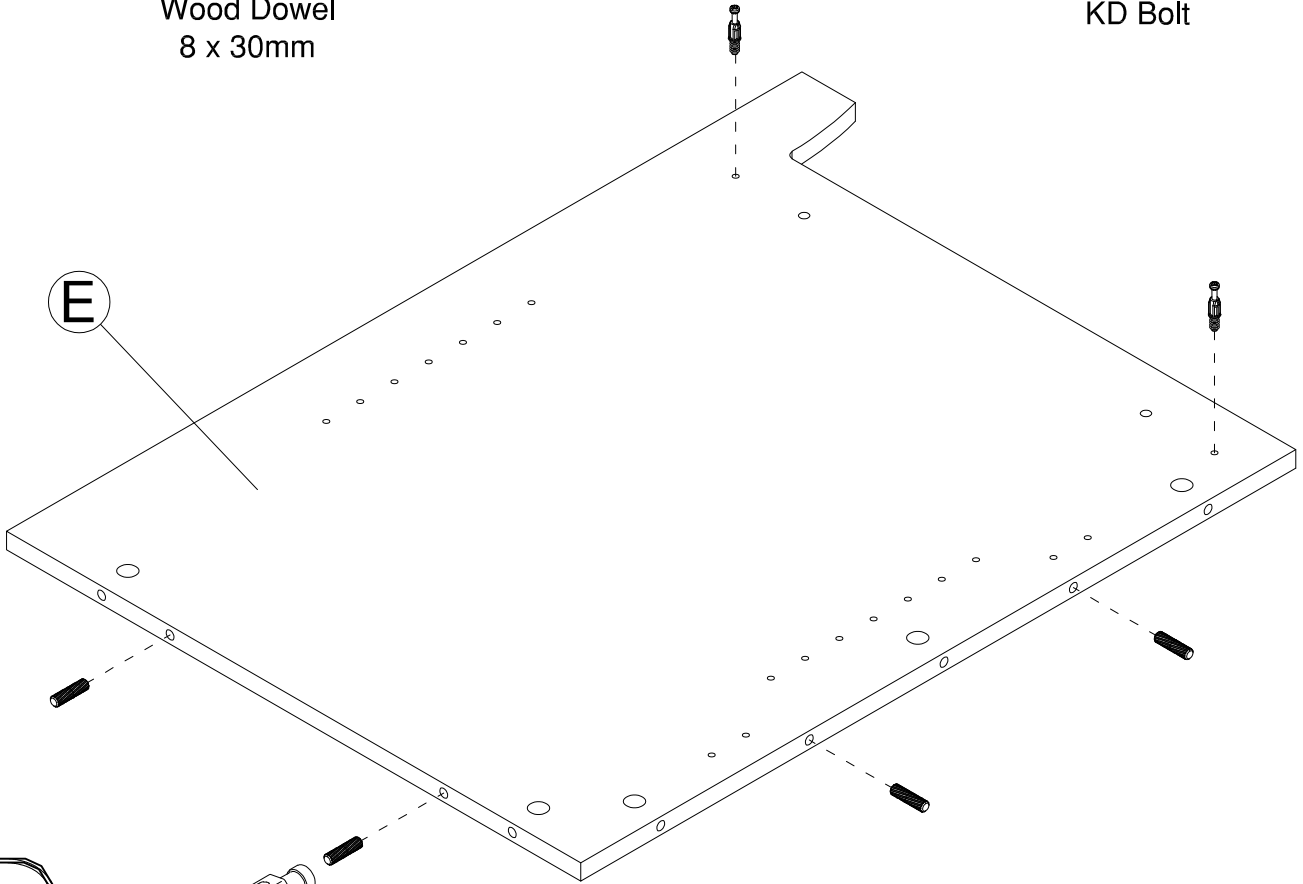
Wood Dowel
8 x 30mm

H72988

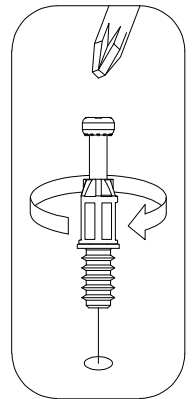
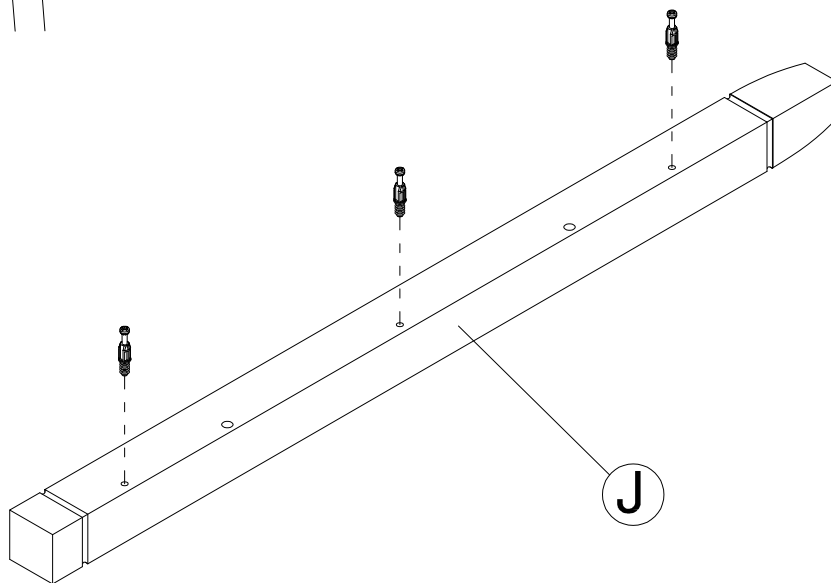
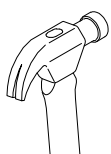


[5]

KD Bolt

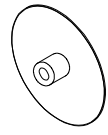


Safety glasses
Gafas de seguridad
Lunettes de protection



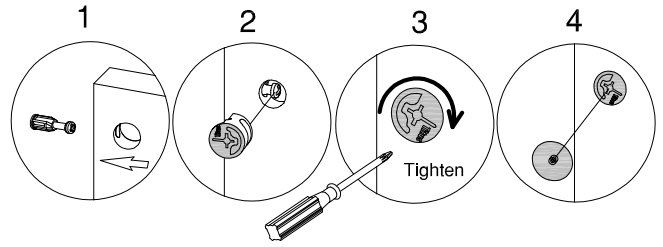
STEP 10

Assemble Panels

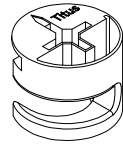


[3]

Cover Cap



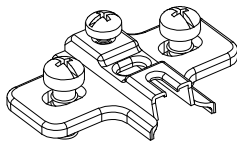
H181468



[3]

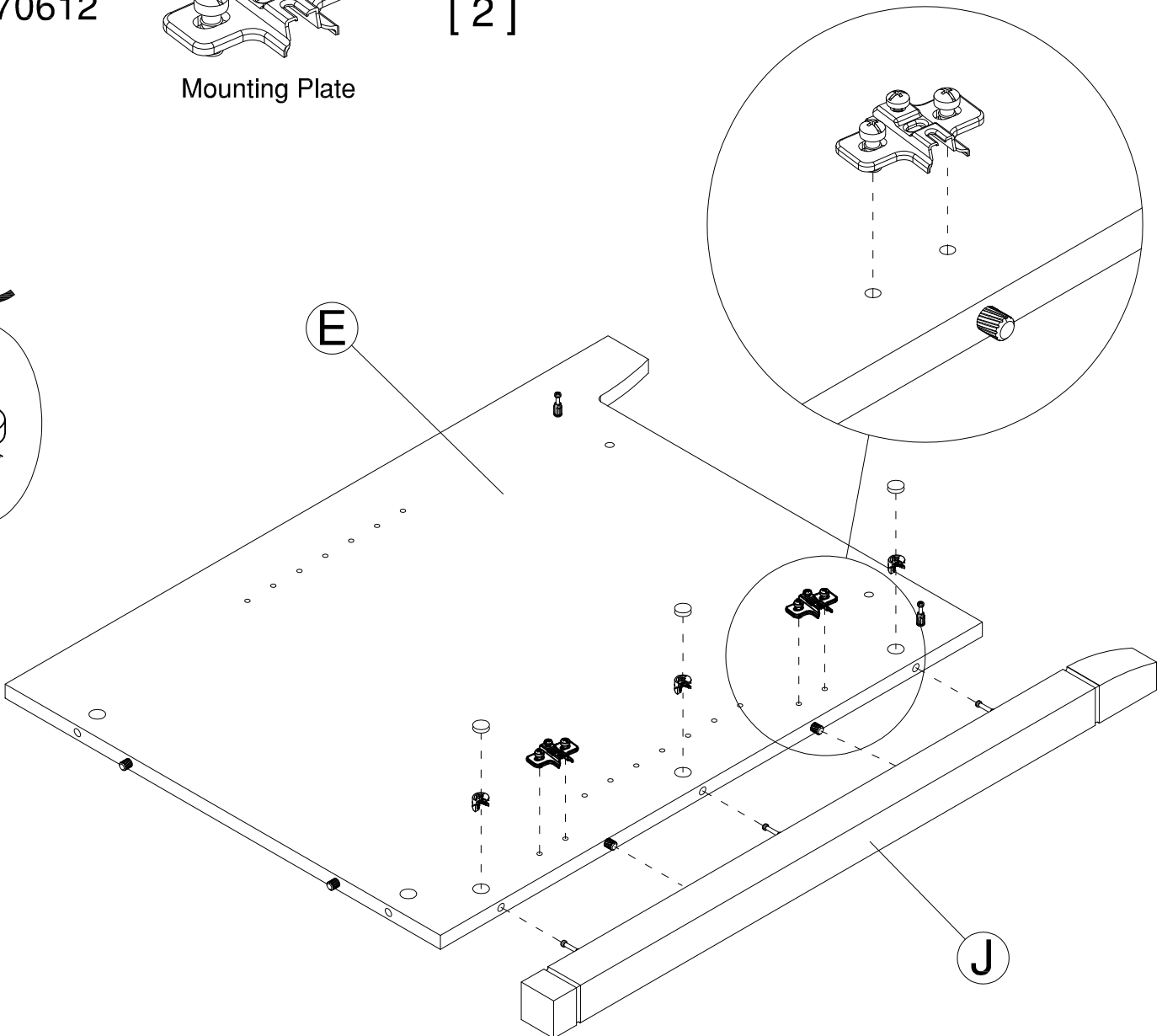
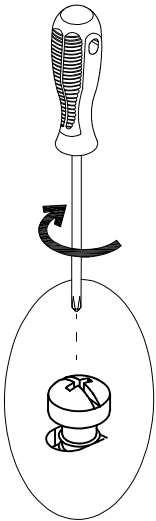
KD Cam

H170612



[2]

Mounting Plate



STEP 11

Prepare Panels

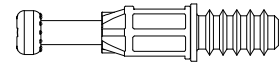
H38169



Wood Dowel
8 x 30mm

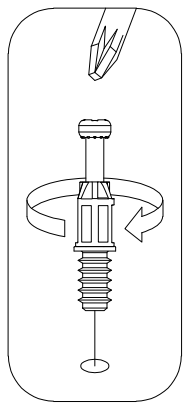
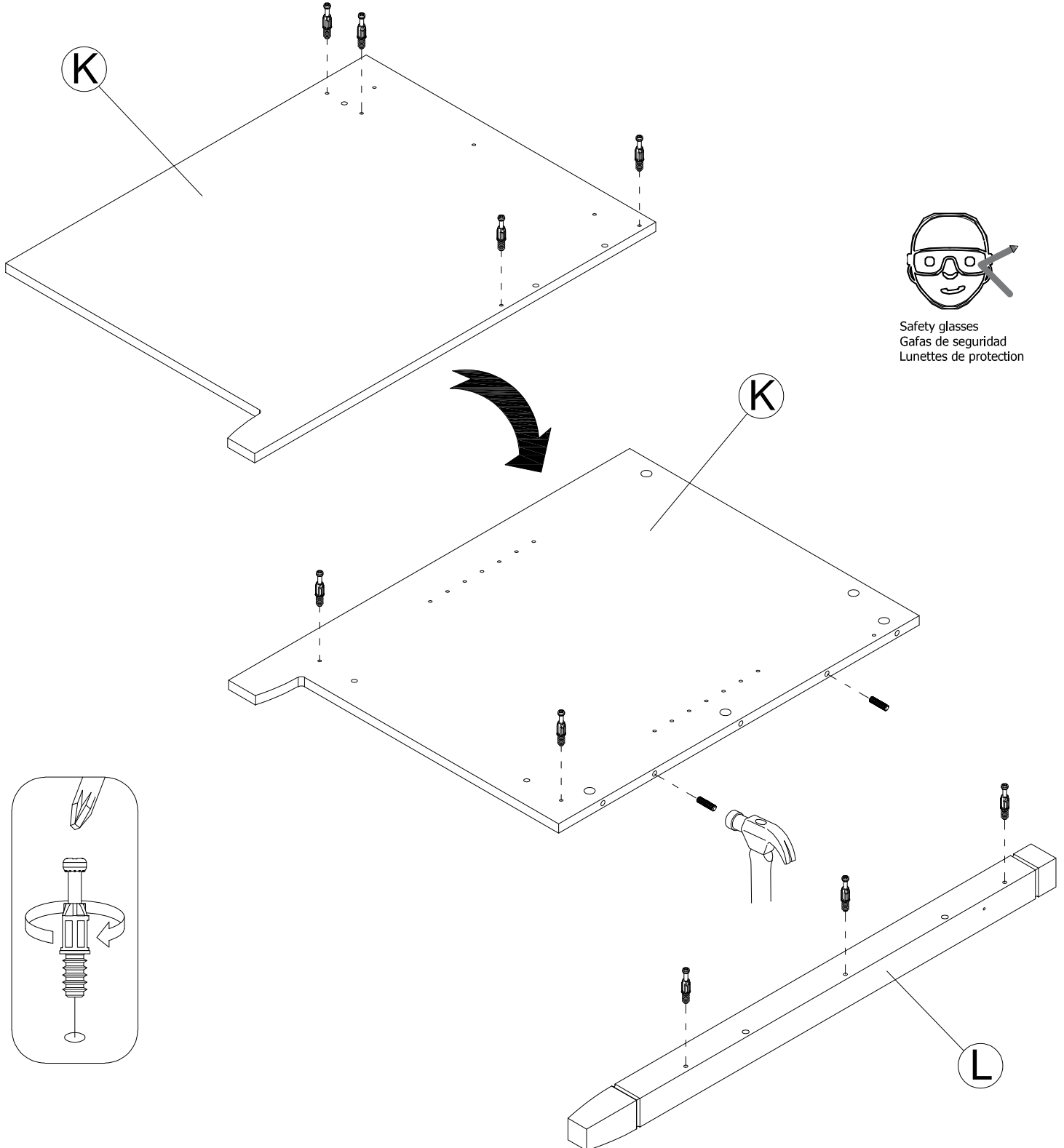
[2]

H72988



KD Bolt

[9]

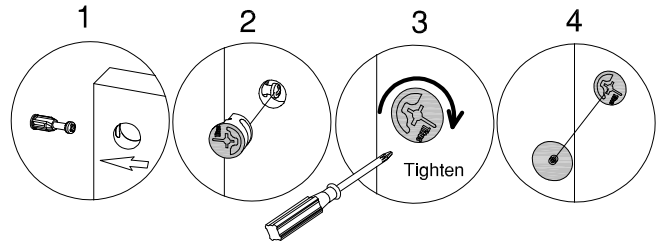


STEP 12

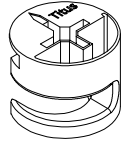
Assemble Panels



[3]

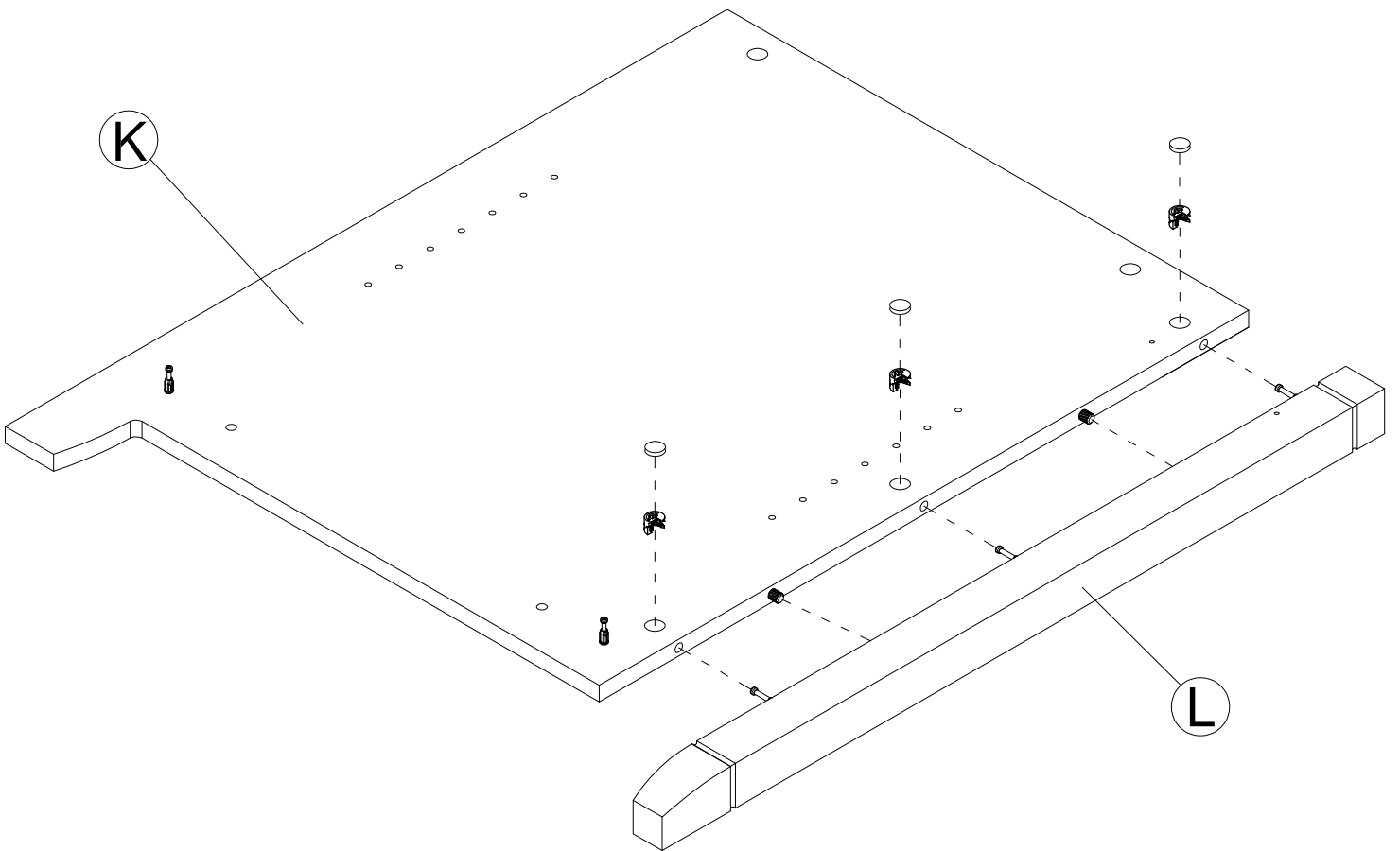


H181468



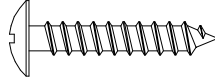
[3]

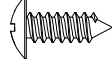
KD Cam





STEP 13

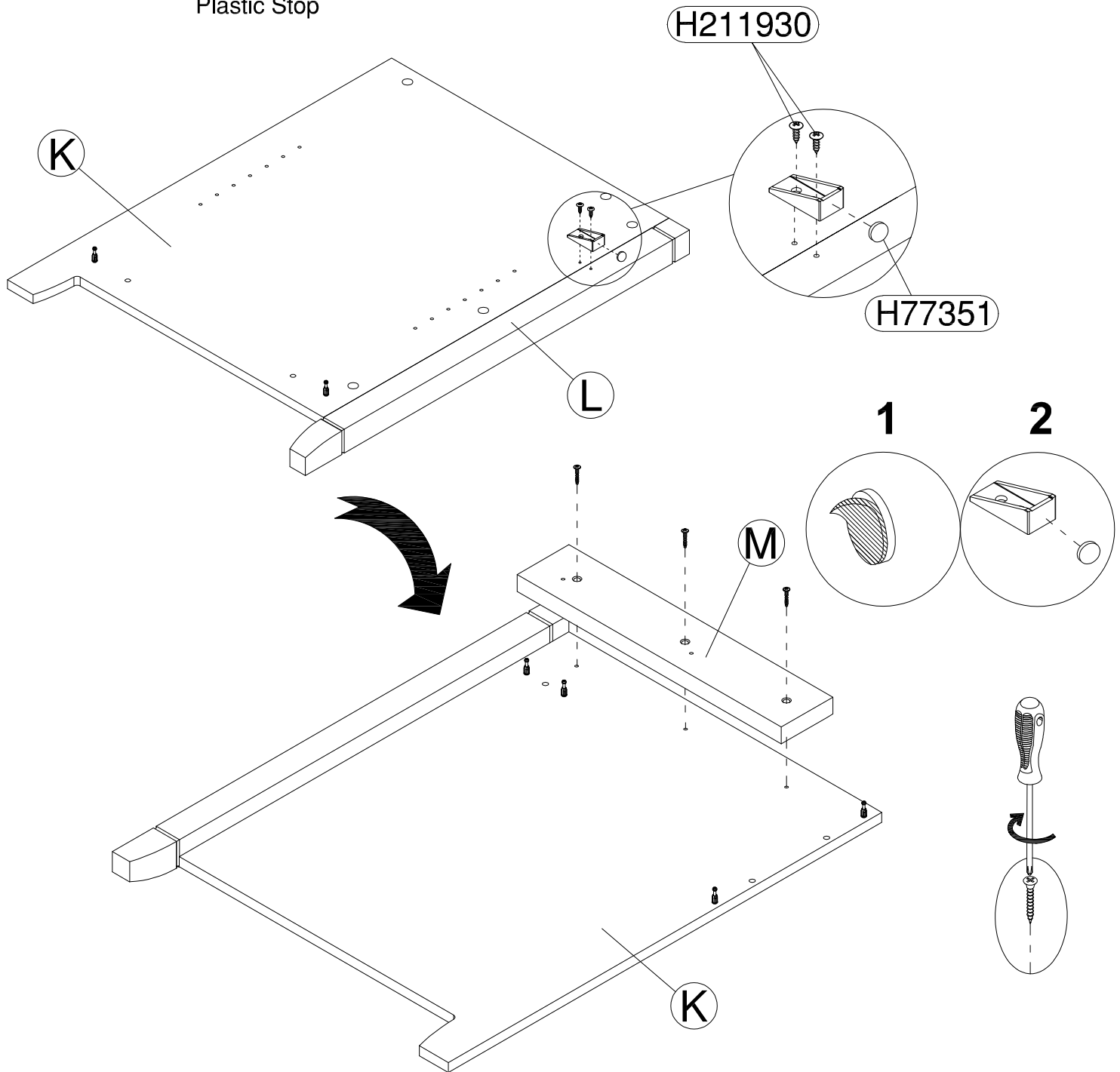
Prepare Panel

H150019  [3]
#8 x 1"

H211930  [2]
#8 -18x 15/32"

H149994  [1]
Plastic Stop

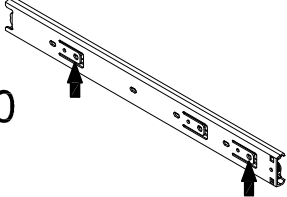
H77351  [1]
Ø10x2mm

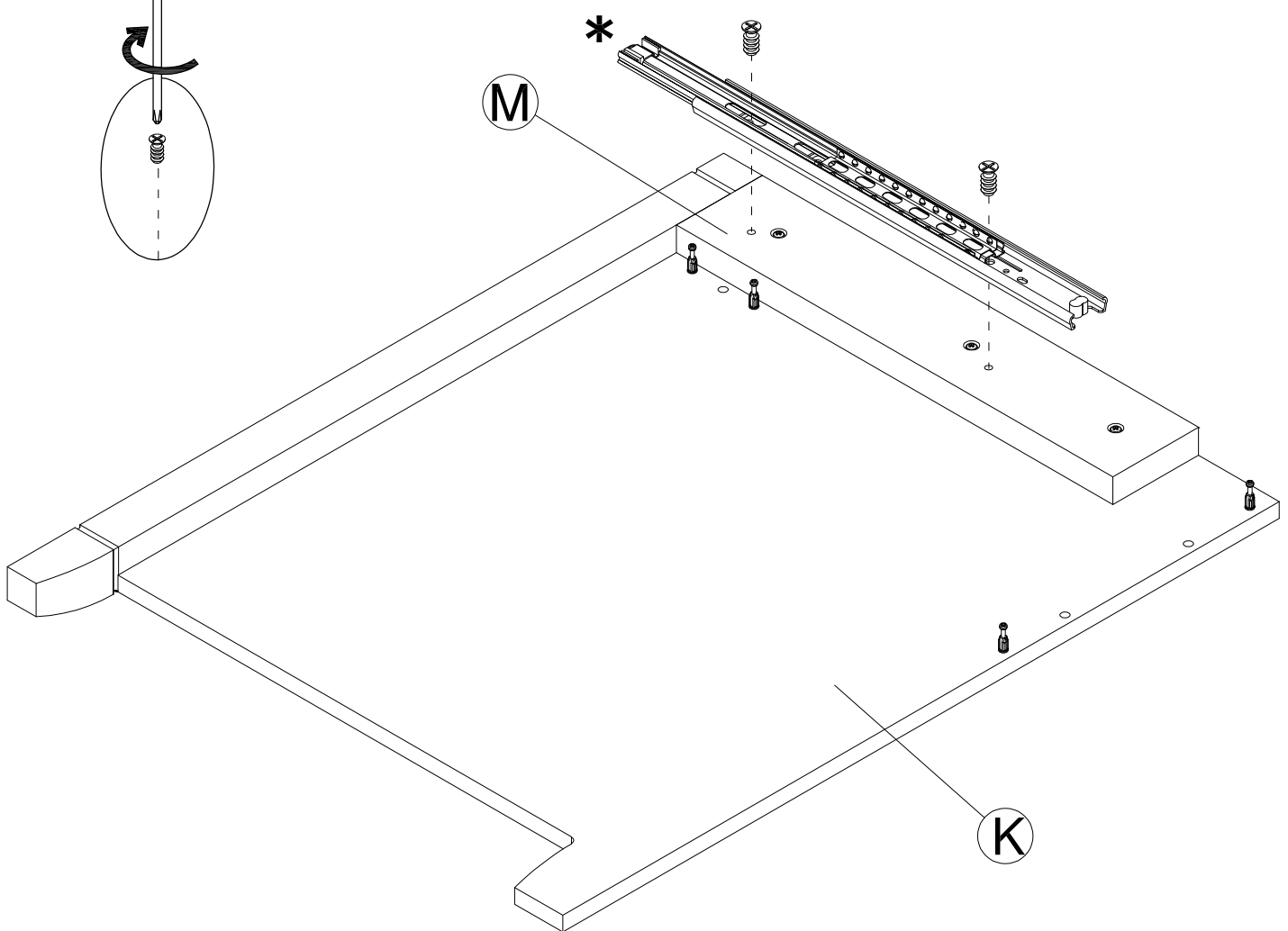
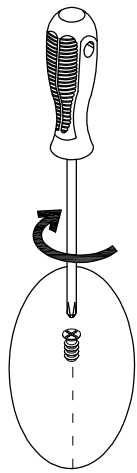


STEP 14

Install Hardware

H195734  [2]
6.3x13mm ZINC

Q216340  [1]
14" Slide Mount *



STEP 15

Prepare Panels

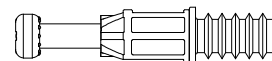
H38169



[5]

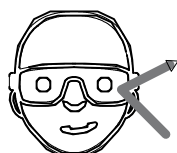
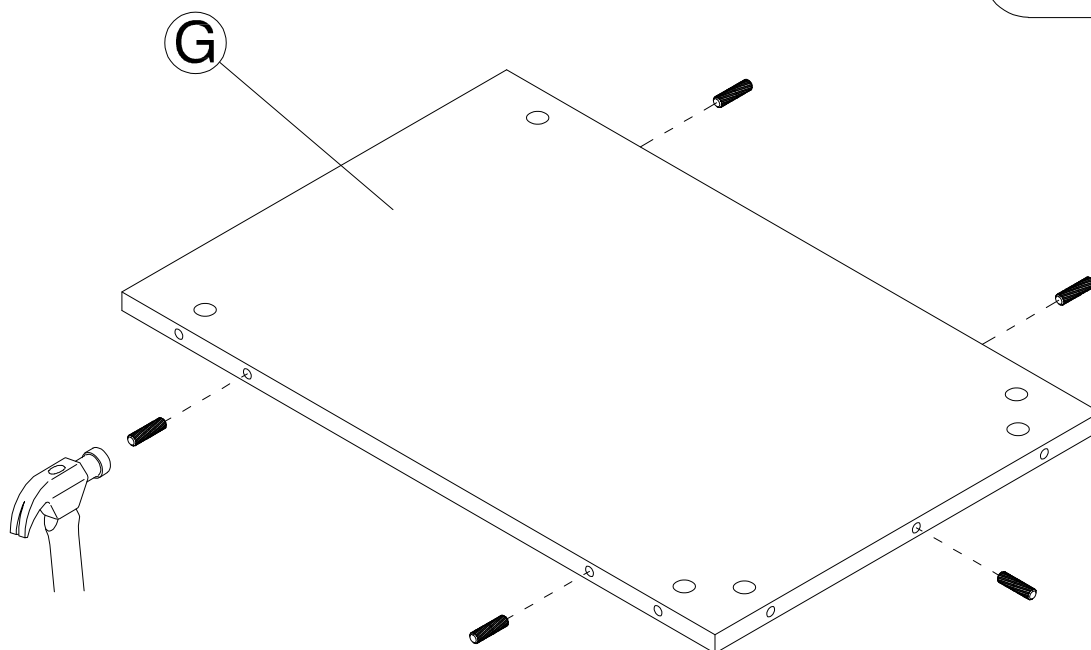
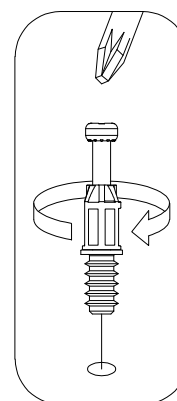
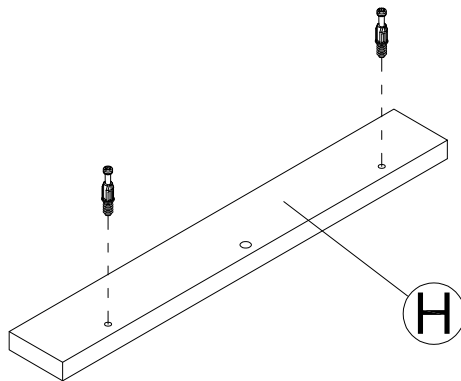
Wood Dowel
8 x 30mm

H72988



[2]

KD Bolt

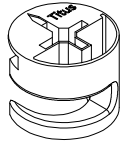


Safety glasses
Gafas de seguridad
Lunettes de protection

STEP 16

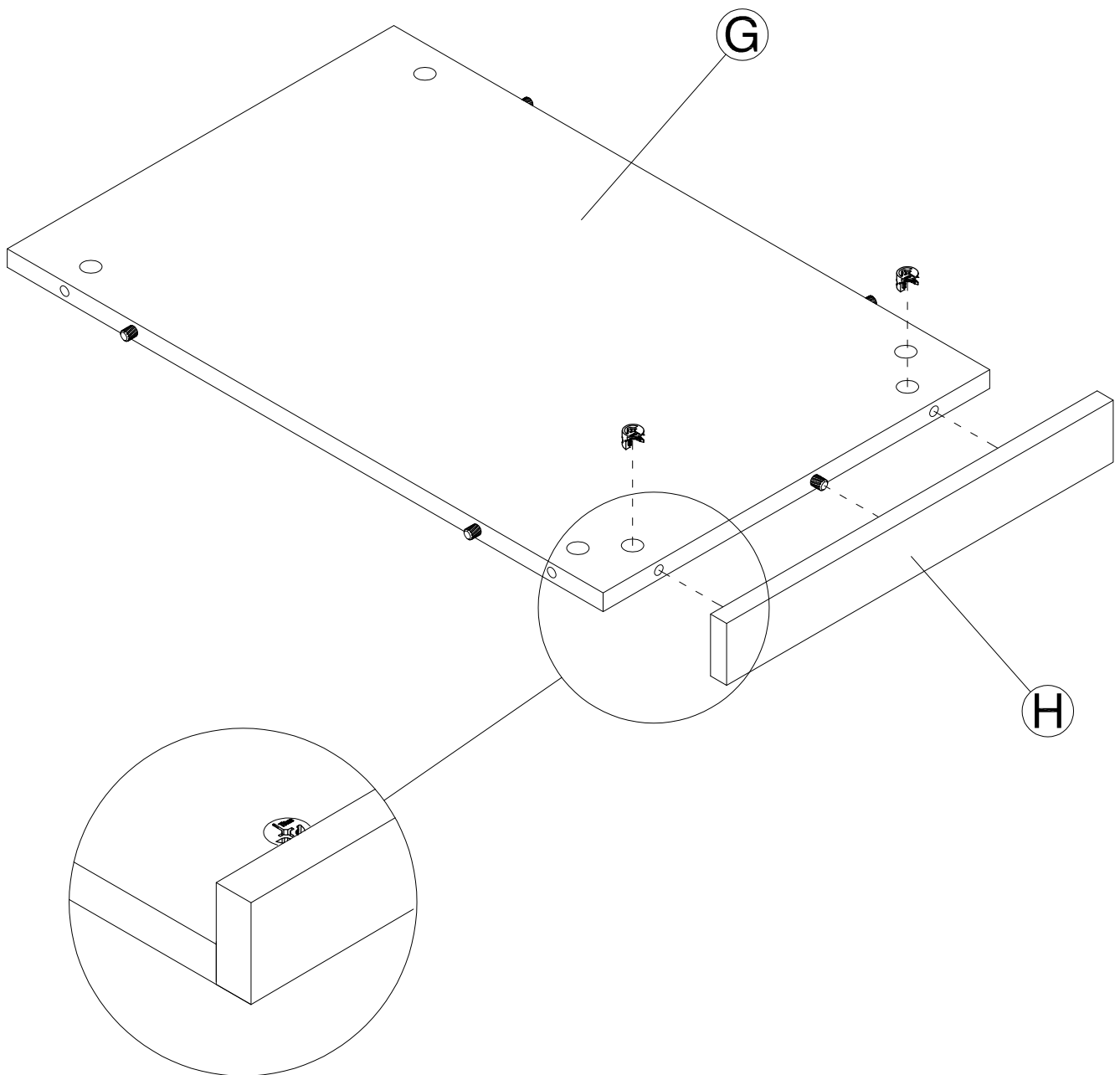
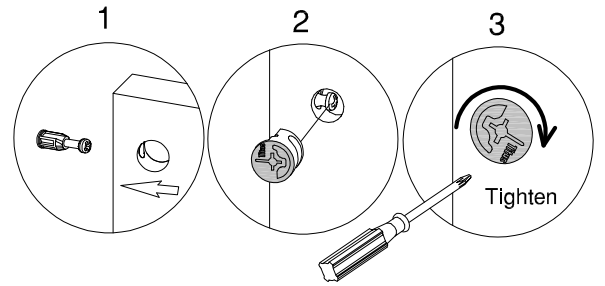
Assemble Panels

H181468



KD Cam

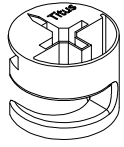
[2]



STEP 17

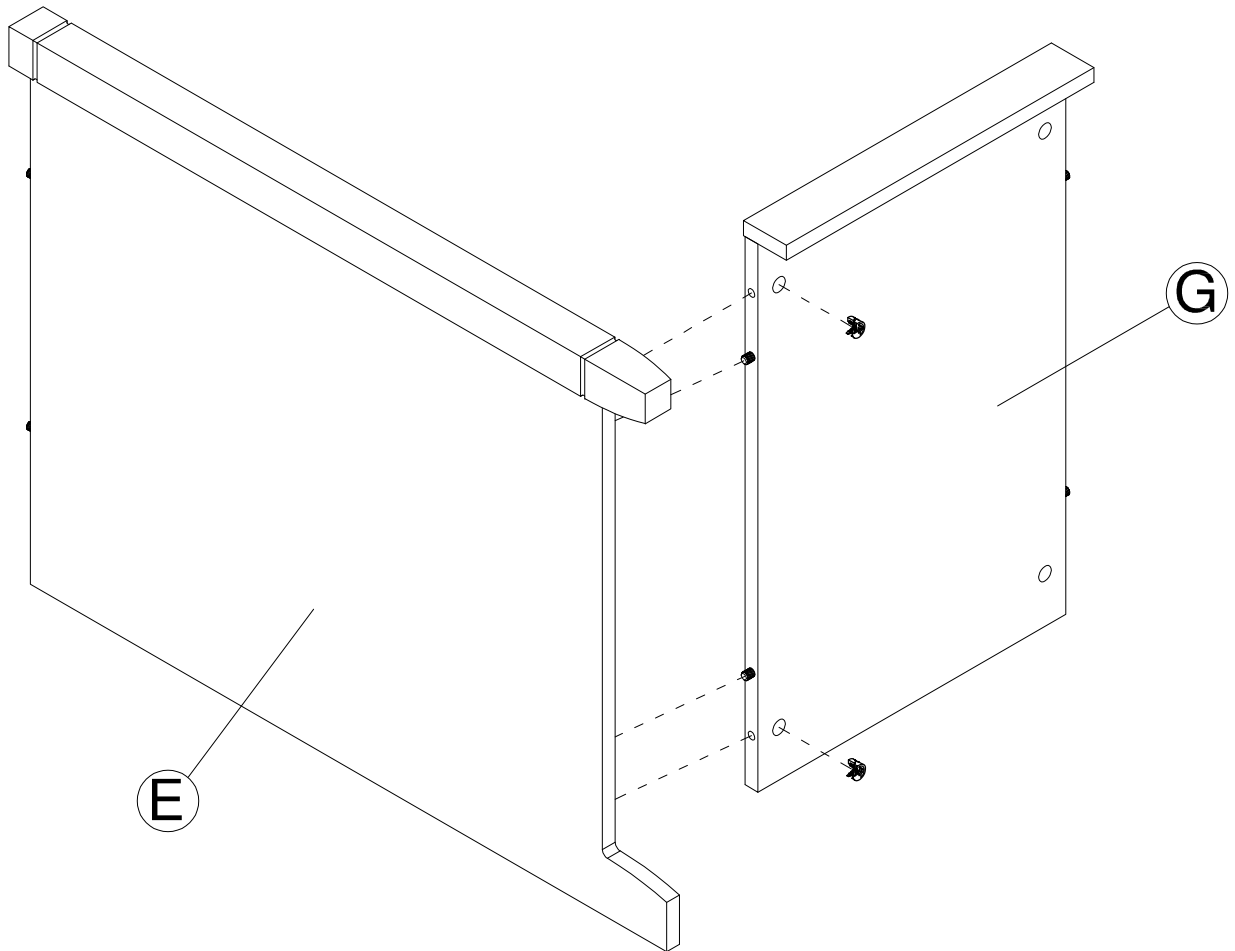
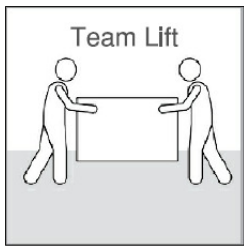
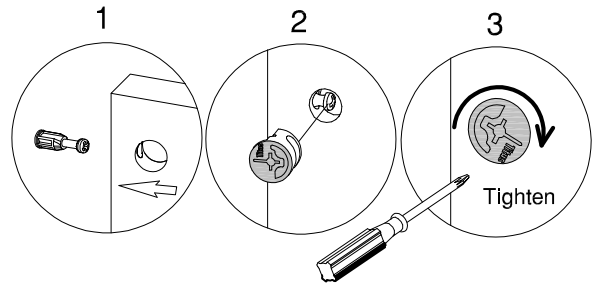
Assemble Panels

H181468



KD Cam

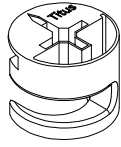
[2]



STEP 18

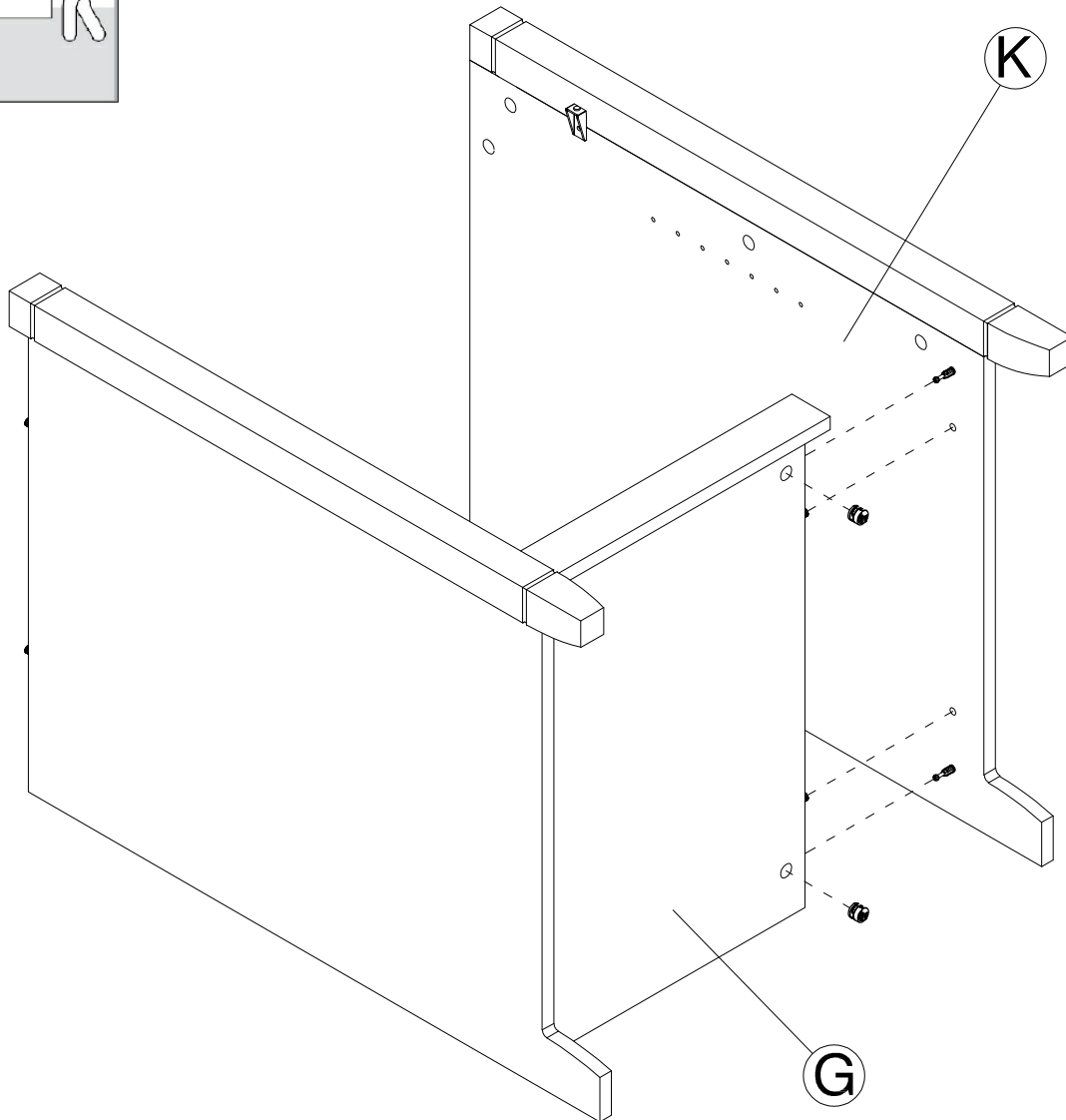
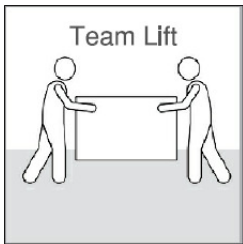
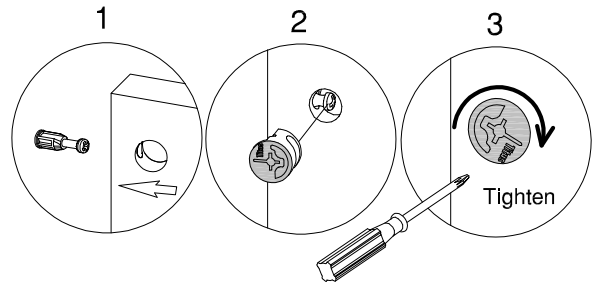
Assemble Panel

H181468



KD Cam

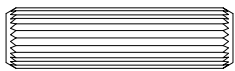
[2]



STEP 19

Prepare Panels

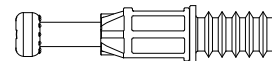
H38169



[8]

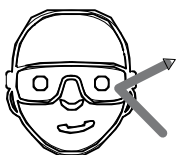
Wood Dowel
8 x 30mm

H72988

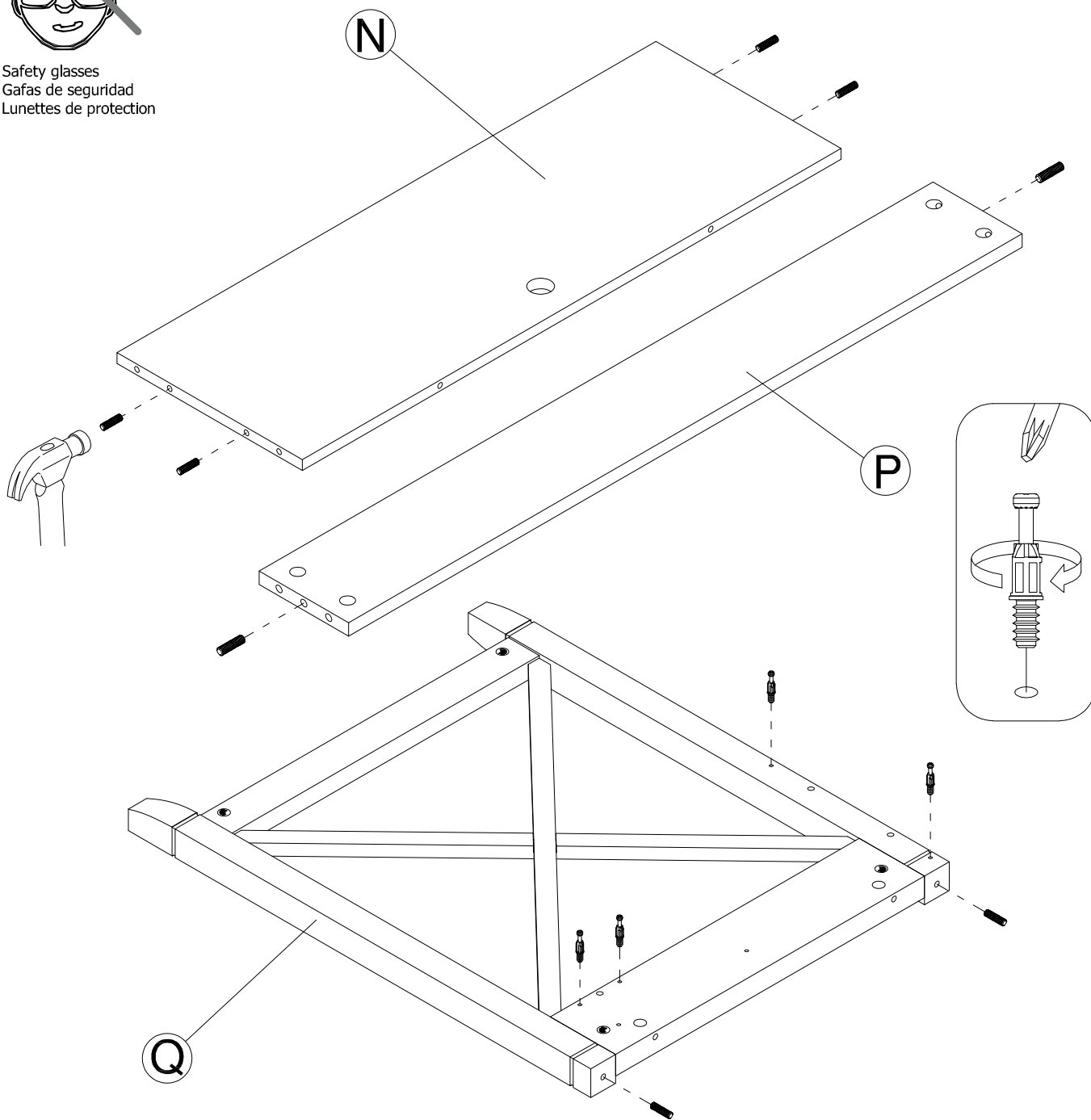


[4]

KD Bolt

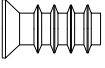


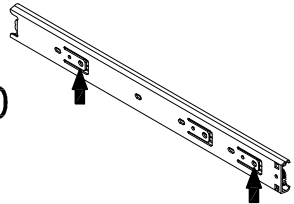
Safety glasses
Gafas de seguridad
Lunettes de protection

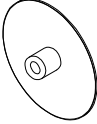


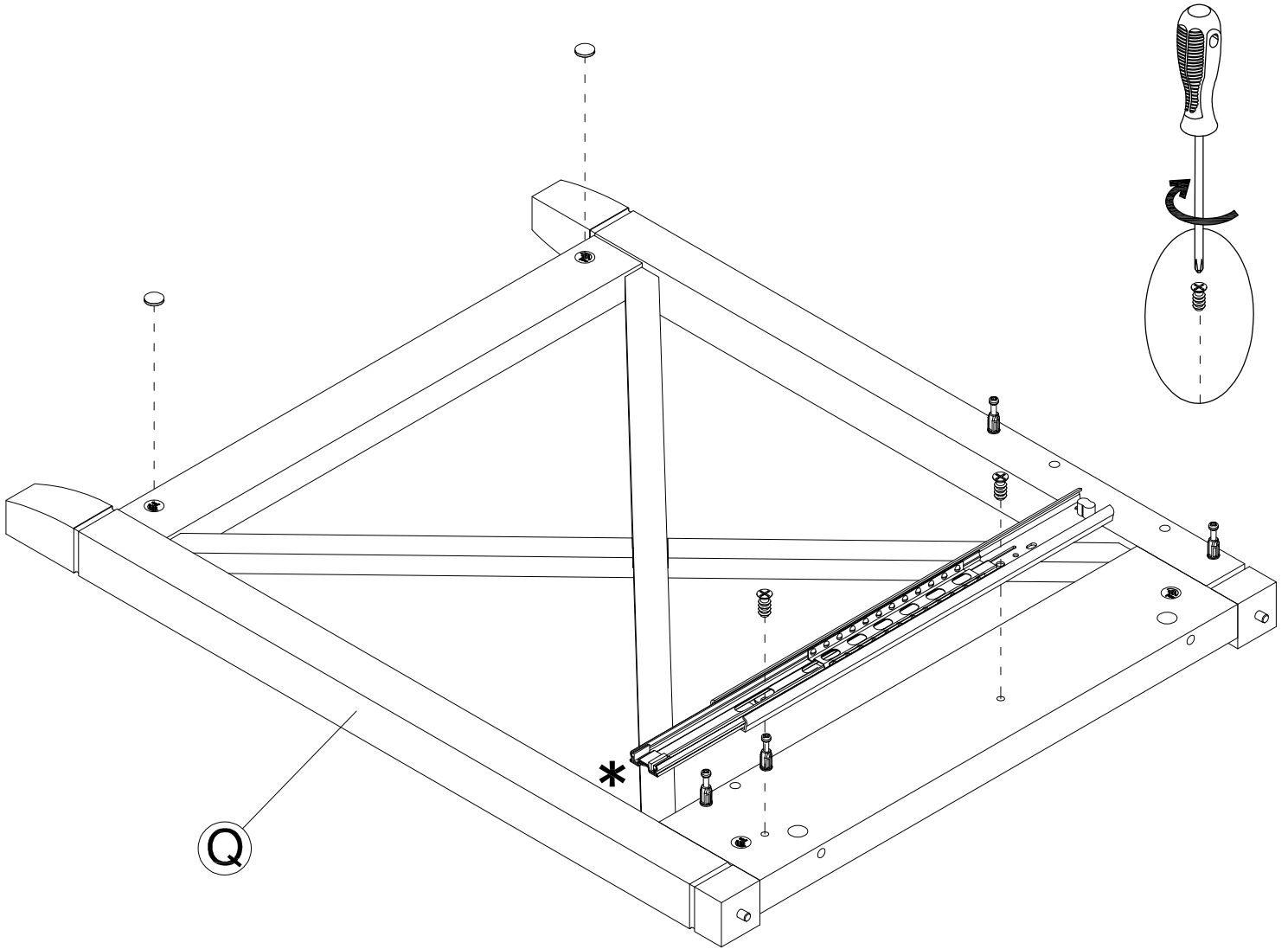
STEP 20

Install Hardware

H195734  [2]
6.3x13mm ZINC

Q216340  [1]
14" Slide Mount *

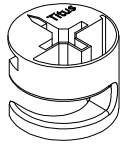
 [2]
Cover Cap



STEP 21

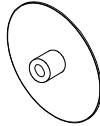
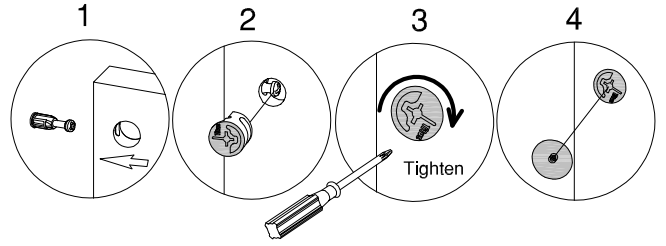
Assemble Panels

H181468



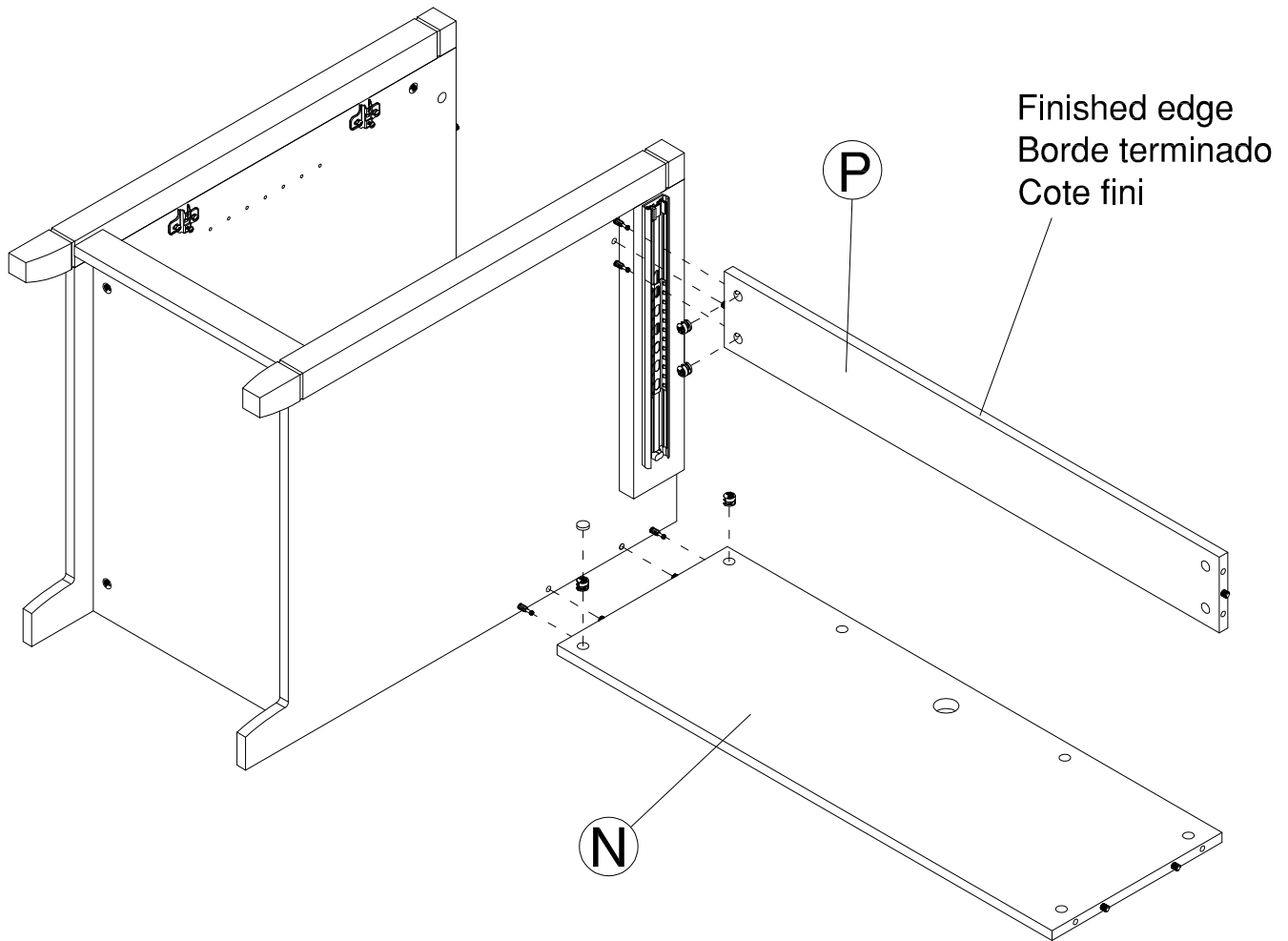
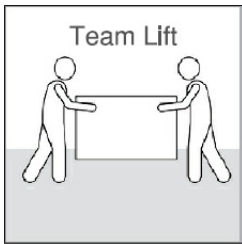
[4]

KD Cam



[1]

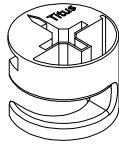
Cover Cap



STEP 22

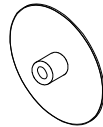
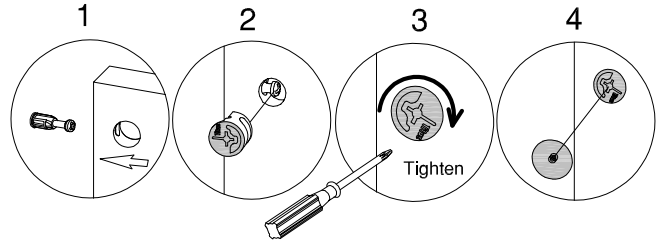
Assemble Panels

H181468



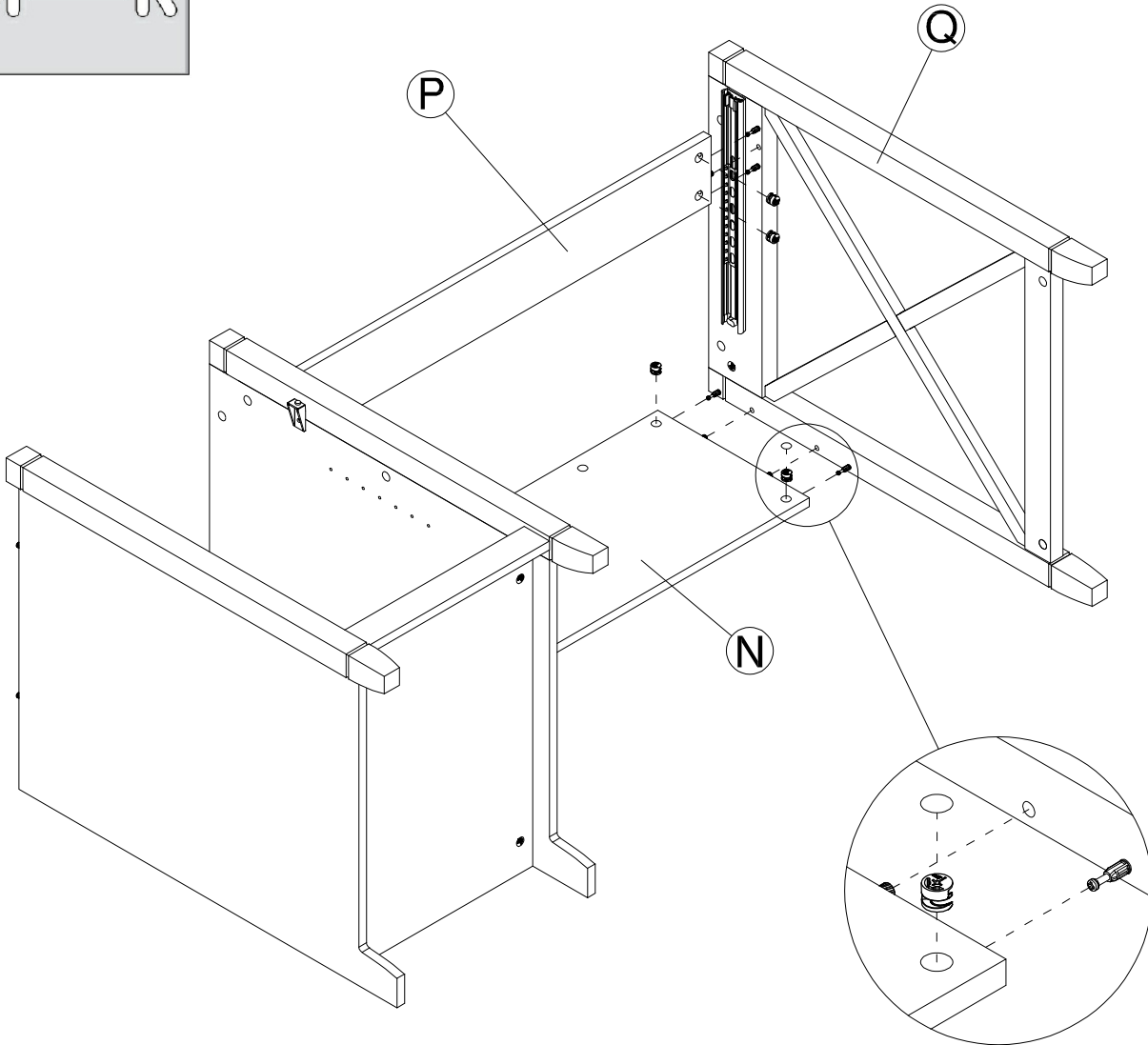
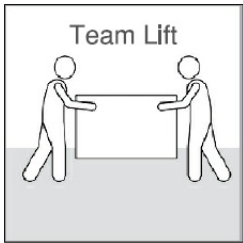
KD Cam

[4]



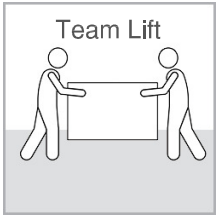
Cover Cap

[1]

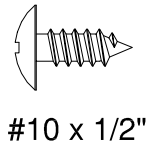


STEP 23

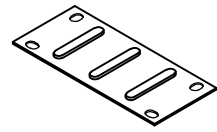
Assemble Panels



H35251

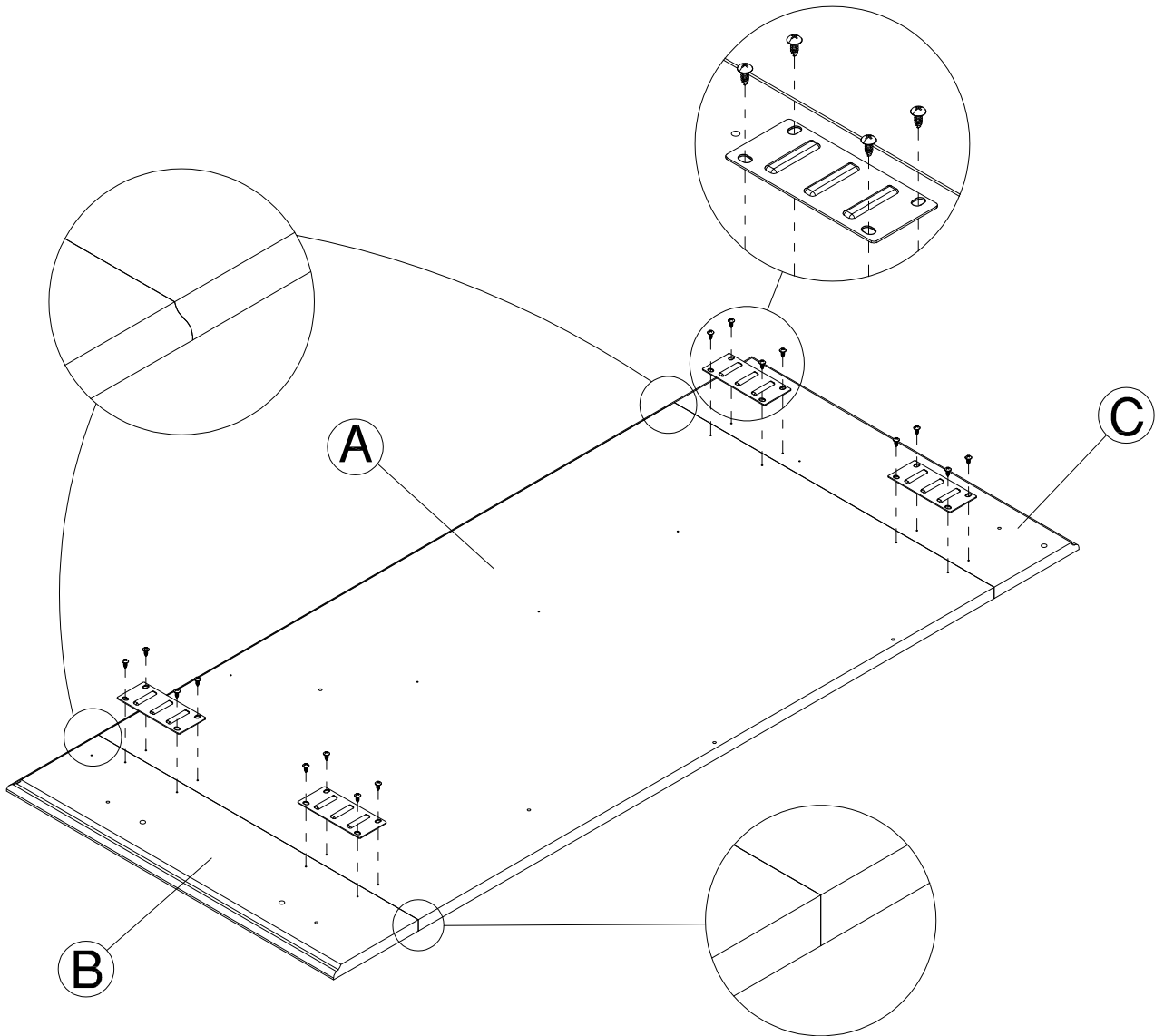
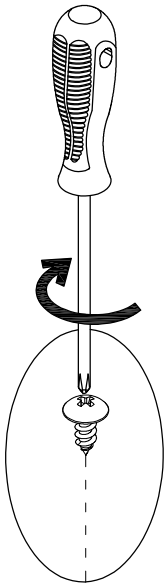


[16] H39922



Strap

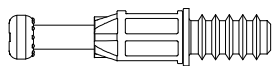
[4]



STEP 24

Prepare Panels

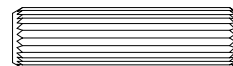
H72988



[8]

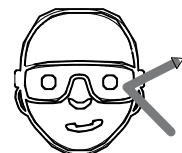
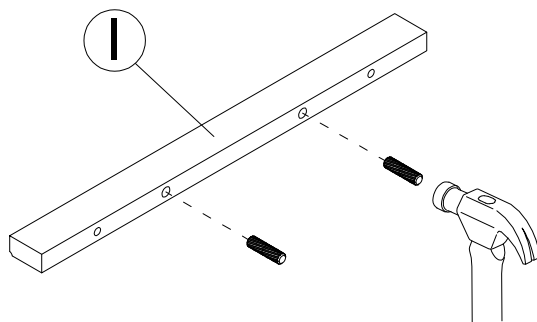
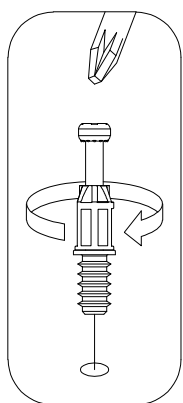
KD Bolt

H38169

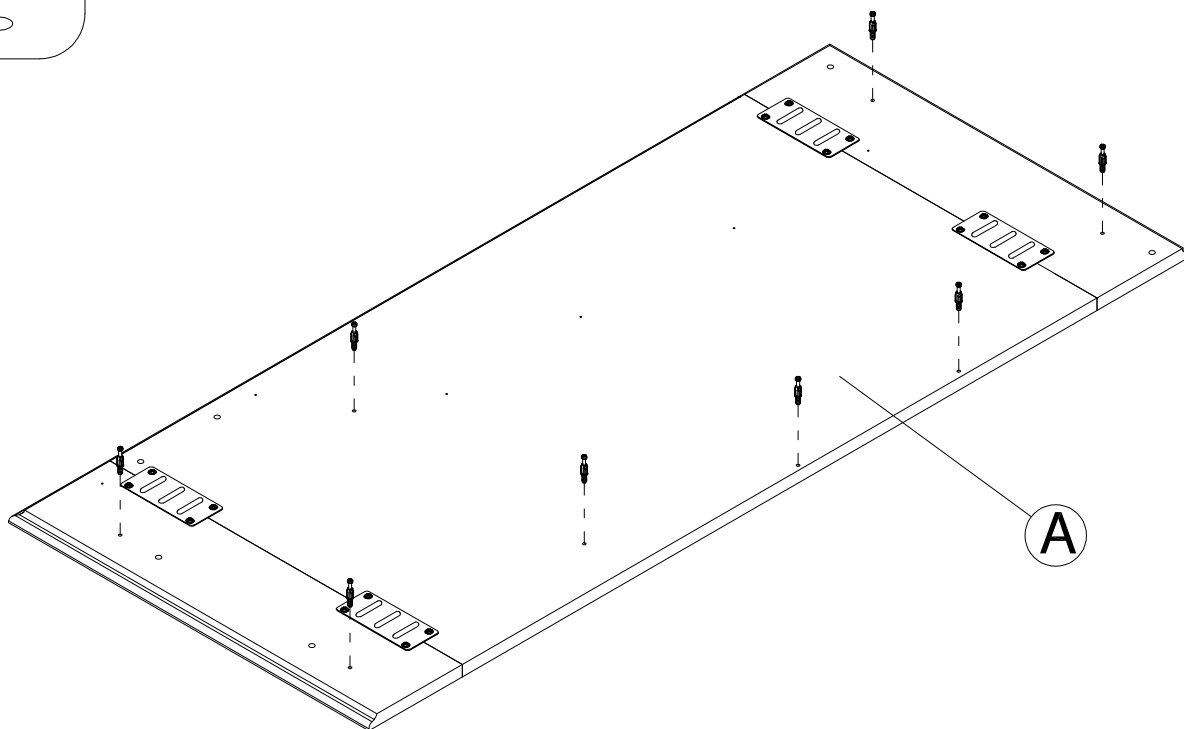


[2]

Wood Dowel
8 x 30mm



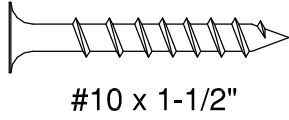
Safety glasses
Gafas de seguridad
Lunettes de protection



STEP 25

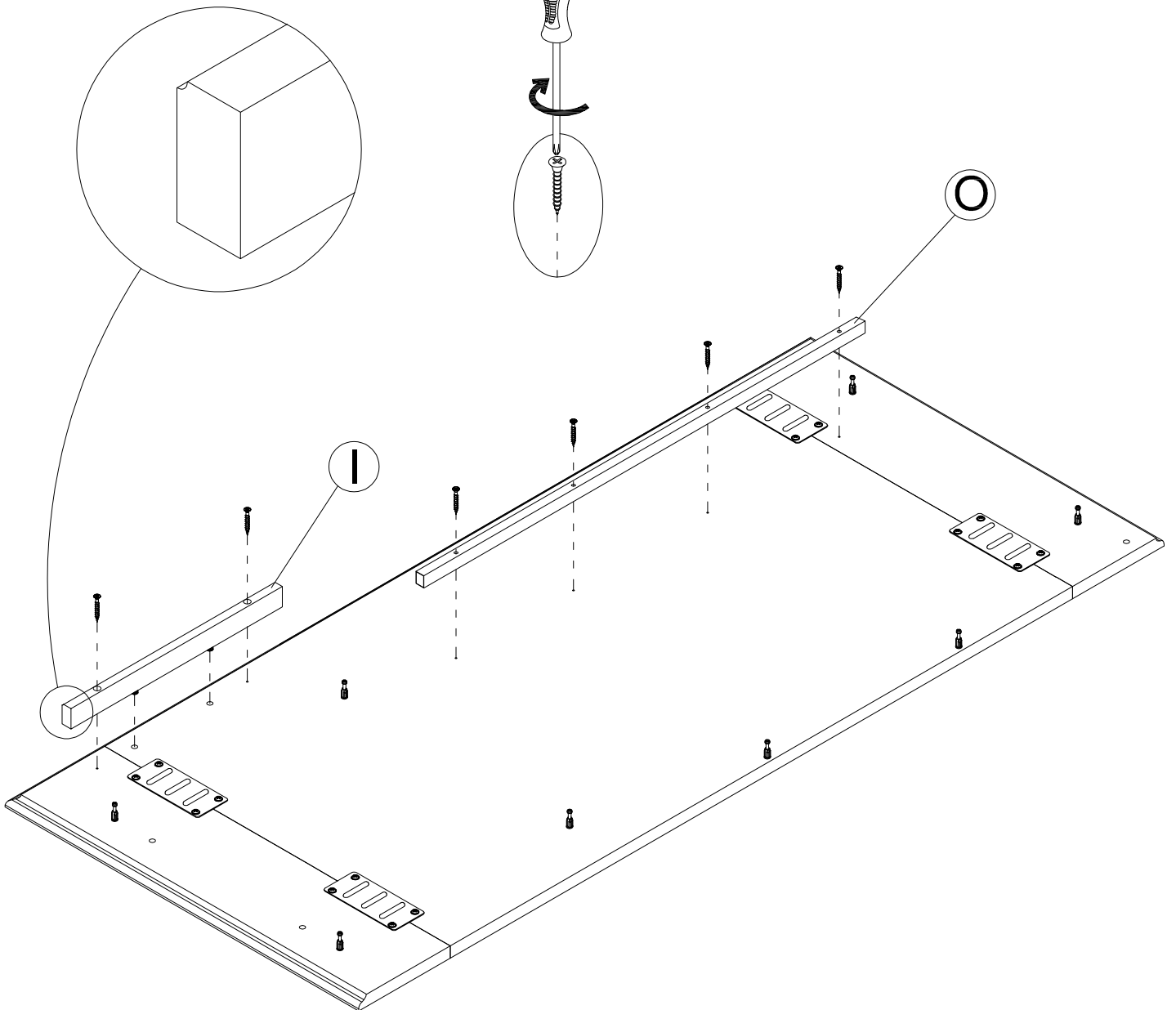
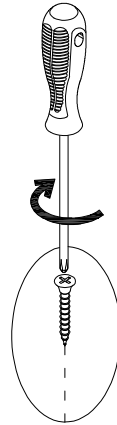
Install Rail & Stiffener

H23198



[6]

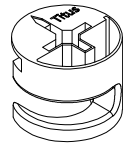
#10 x 1-1/2"



STEP 26

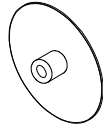
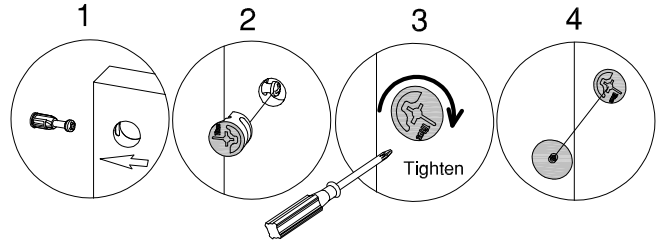
Assemble Panel

H181468



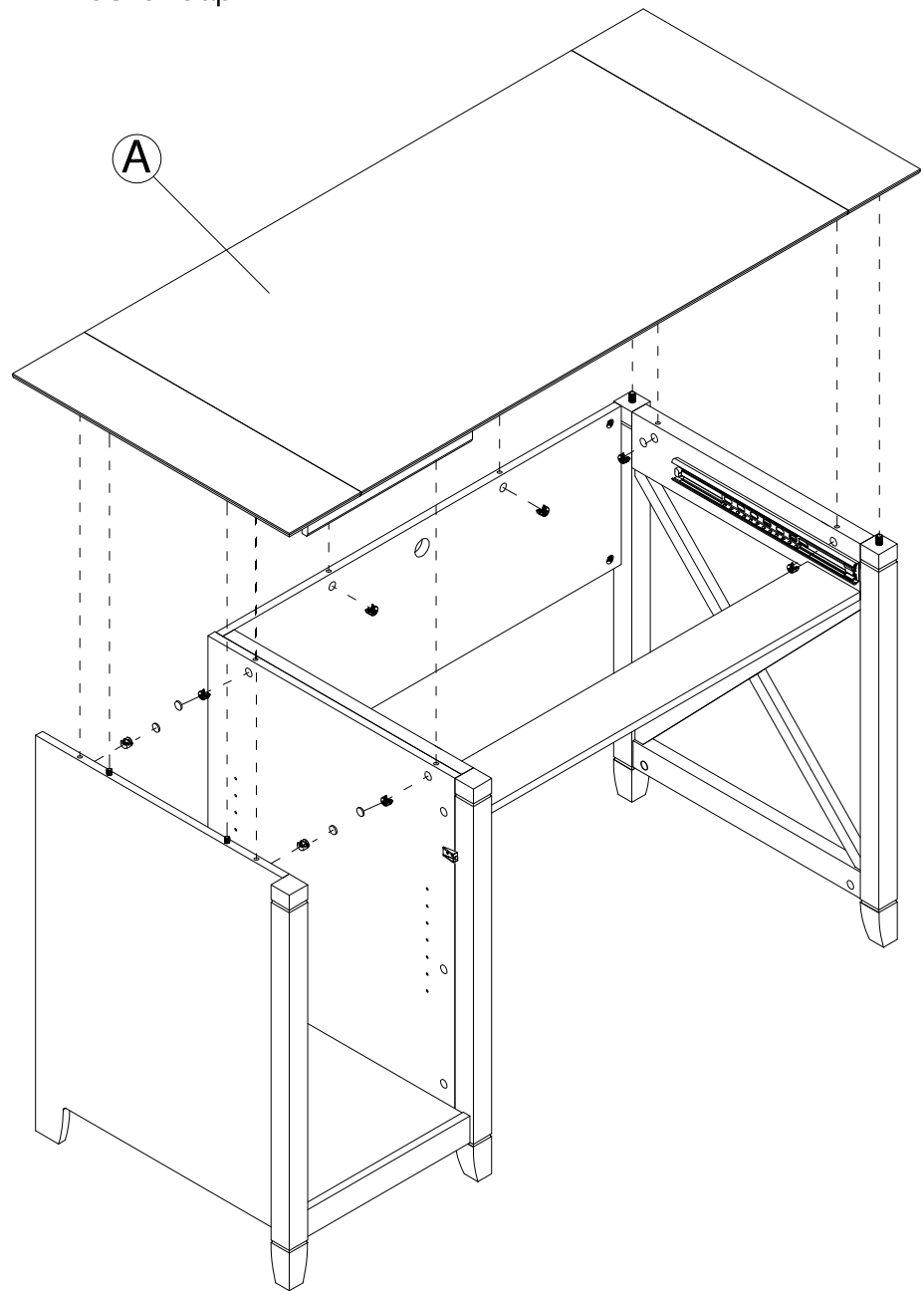
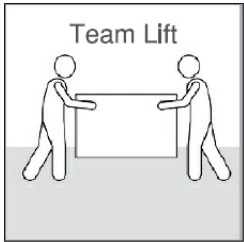
[8]

KD Cam



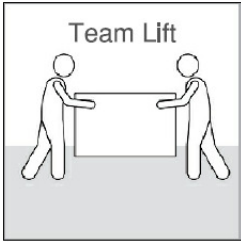
[4]

Cover Cap



STEP 27

Assemble Back

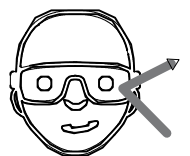
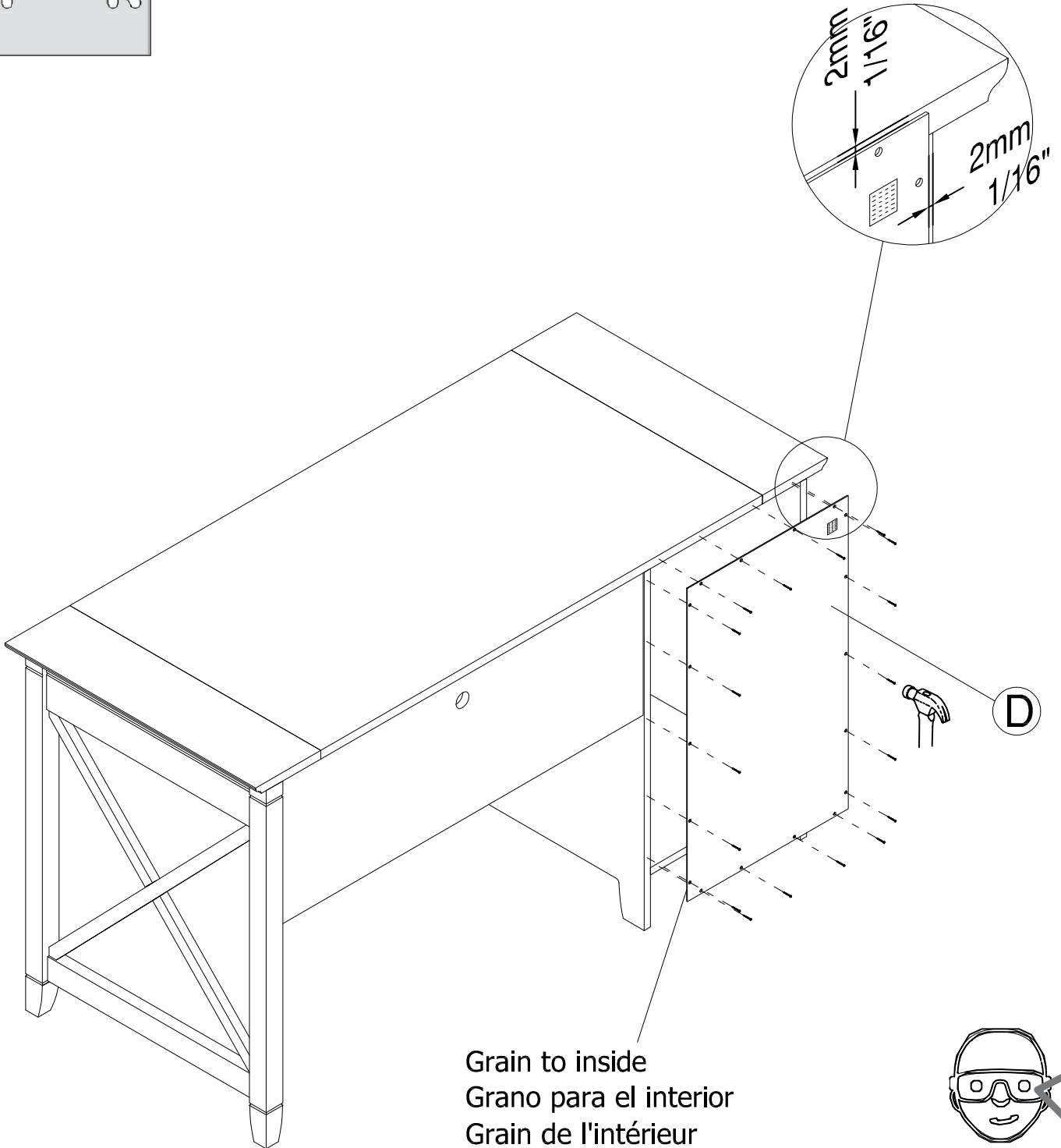


H34174



[18]

#3x 3/4"

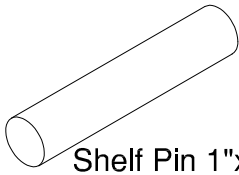


Safety glasses
Gafas de seguridad
Lunettes de protection

STEP 28

Install Shelf

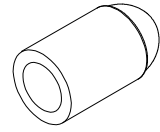
H23604



[4]

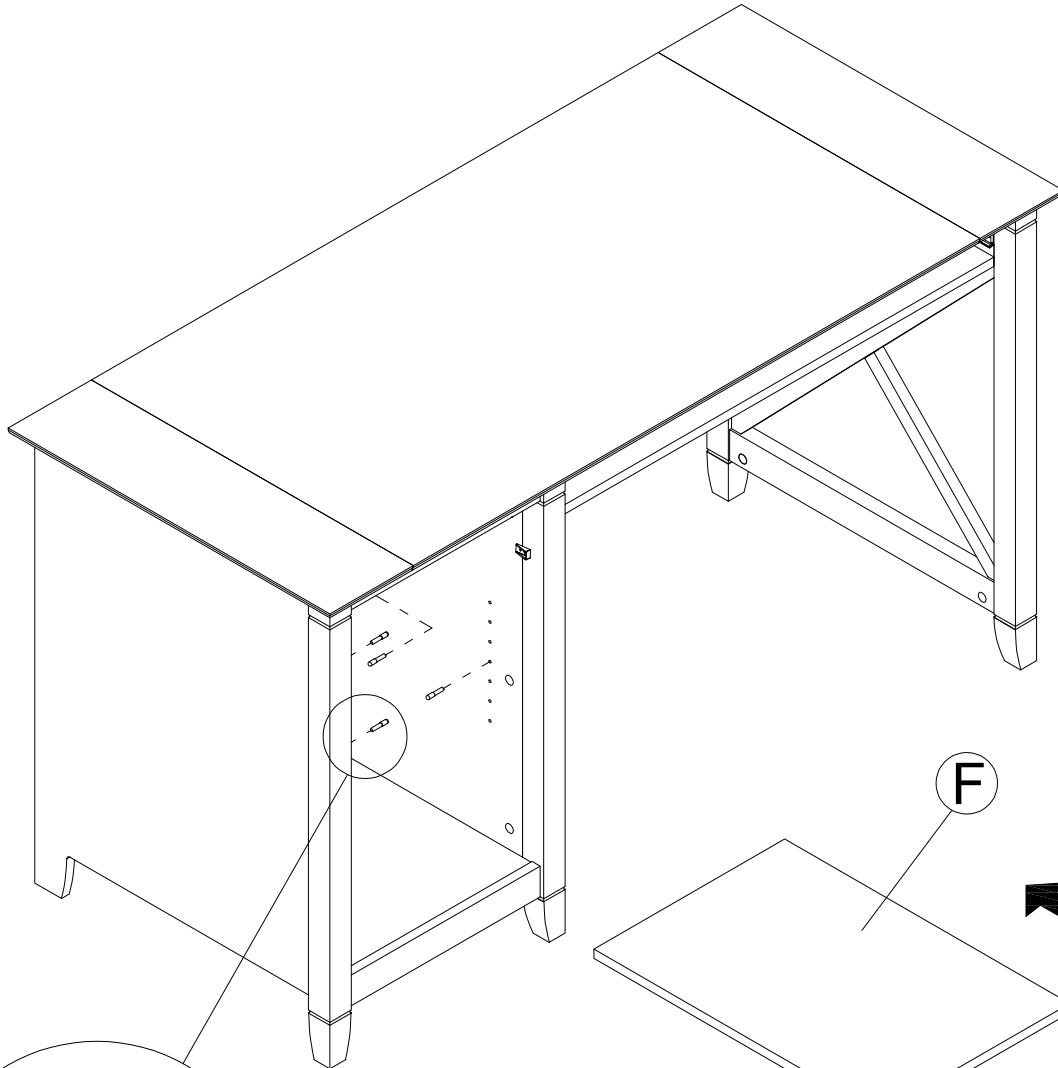
Shelf Pin 1"x 3/16"

H126396

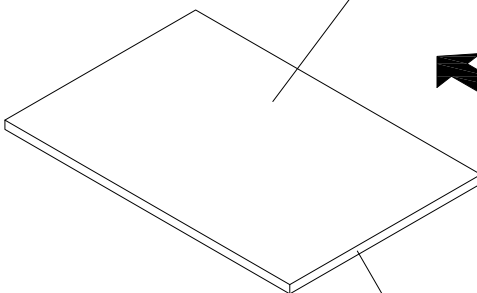


[4]

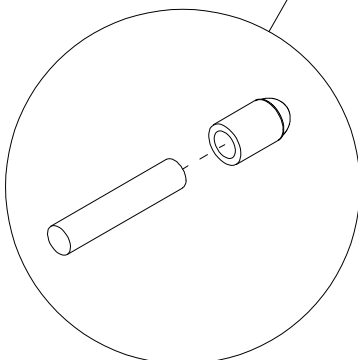
Shelf Pin Sleeve



F

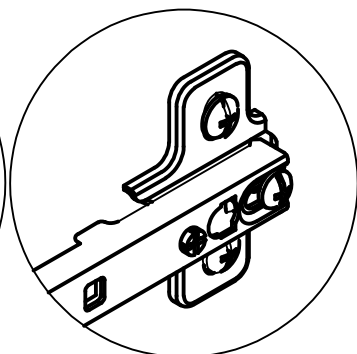
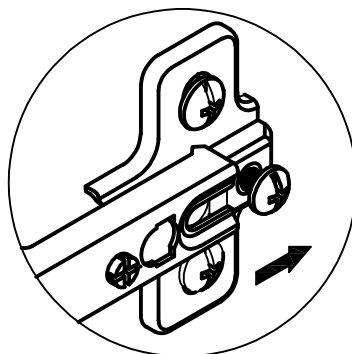
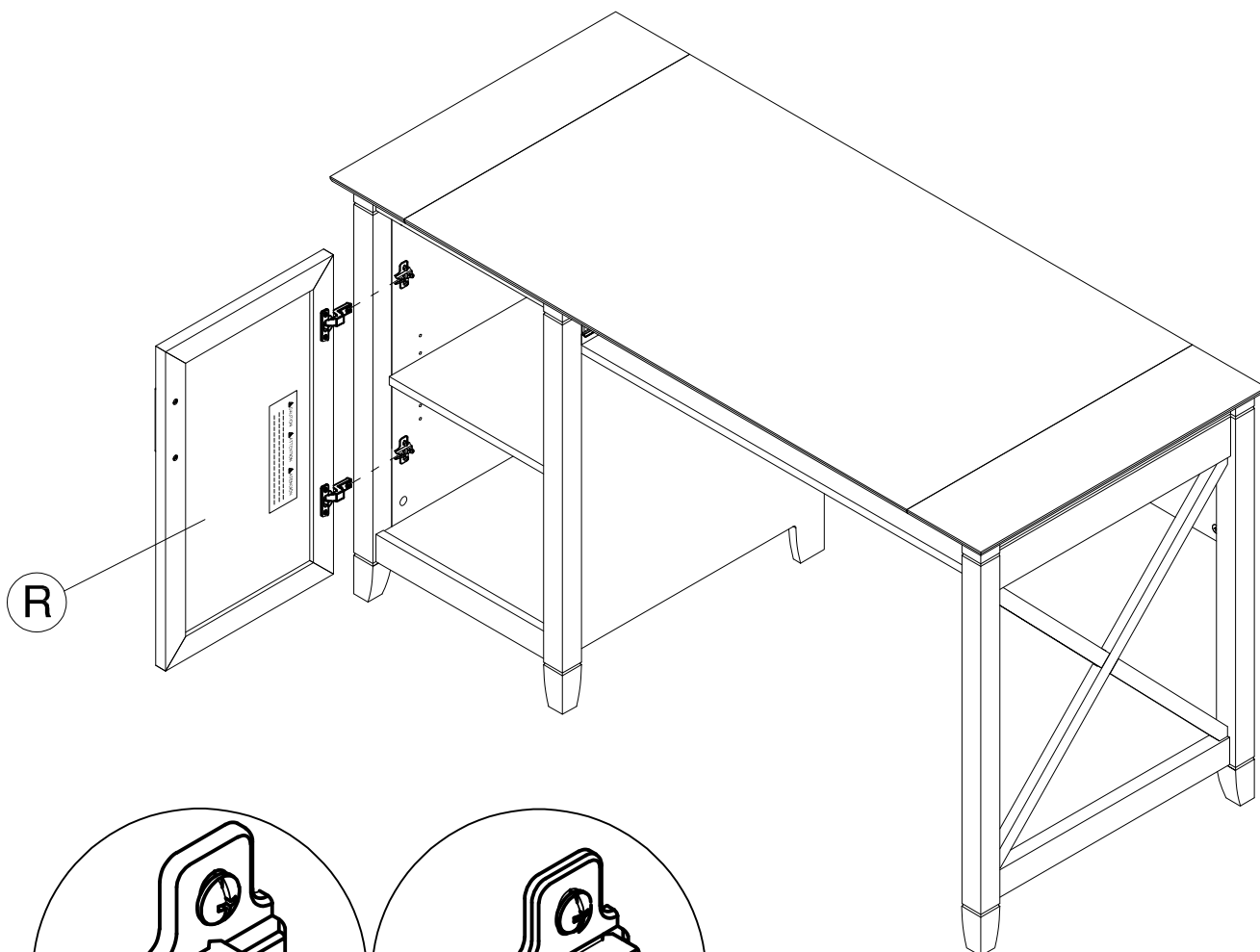
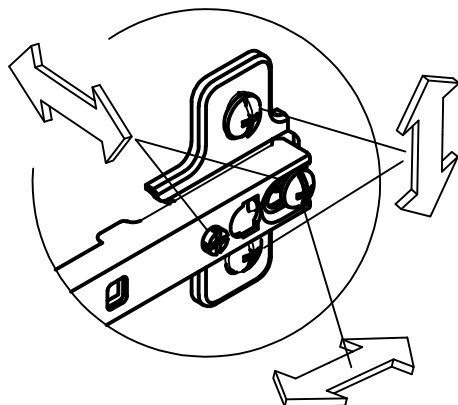


Finished edge
Borde terminado
Cote fini



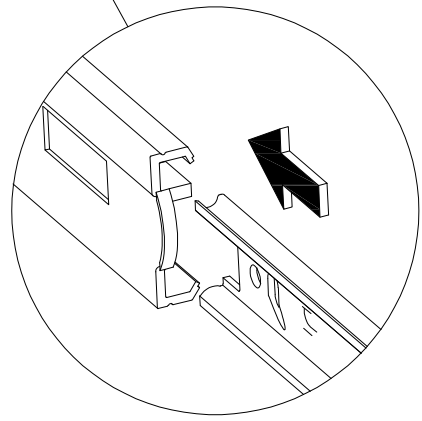
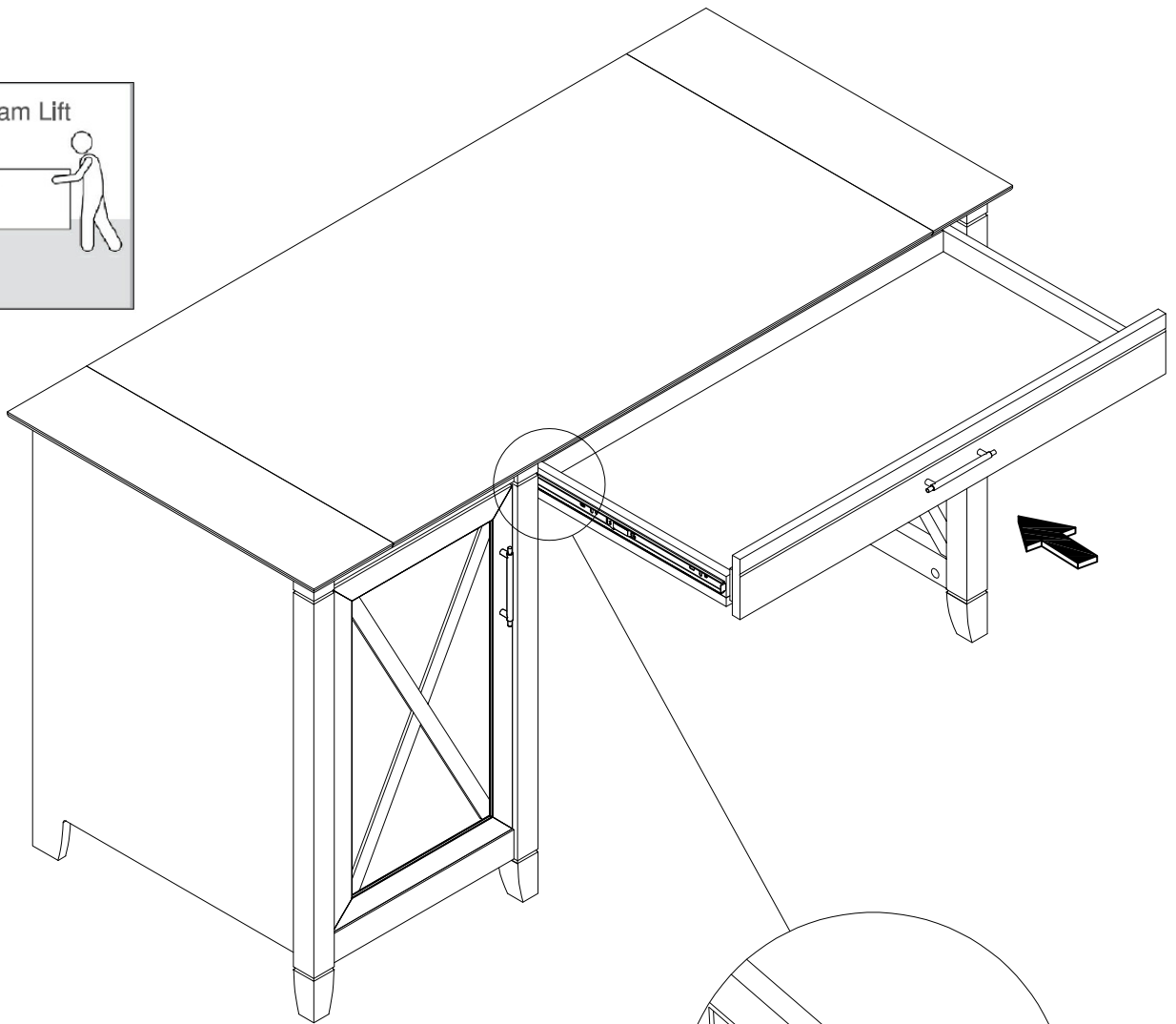
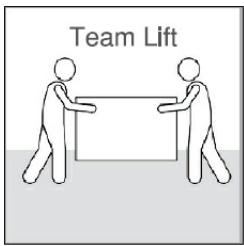
STEP 29

Assemble and Adjust Door



STEP 30

Insert Drawer



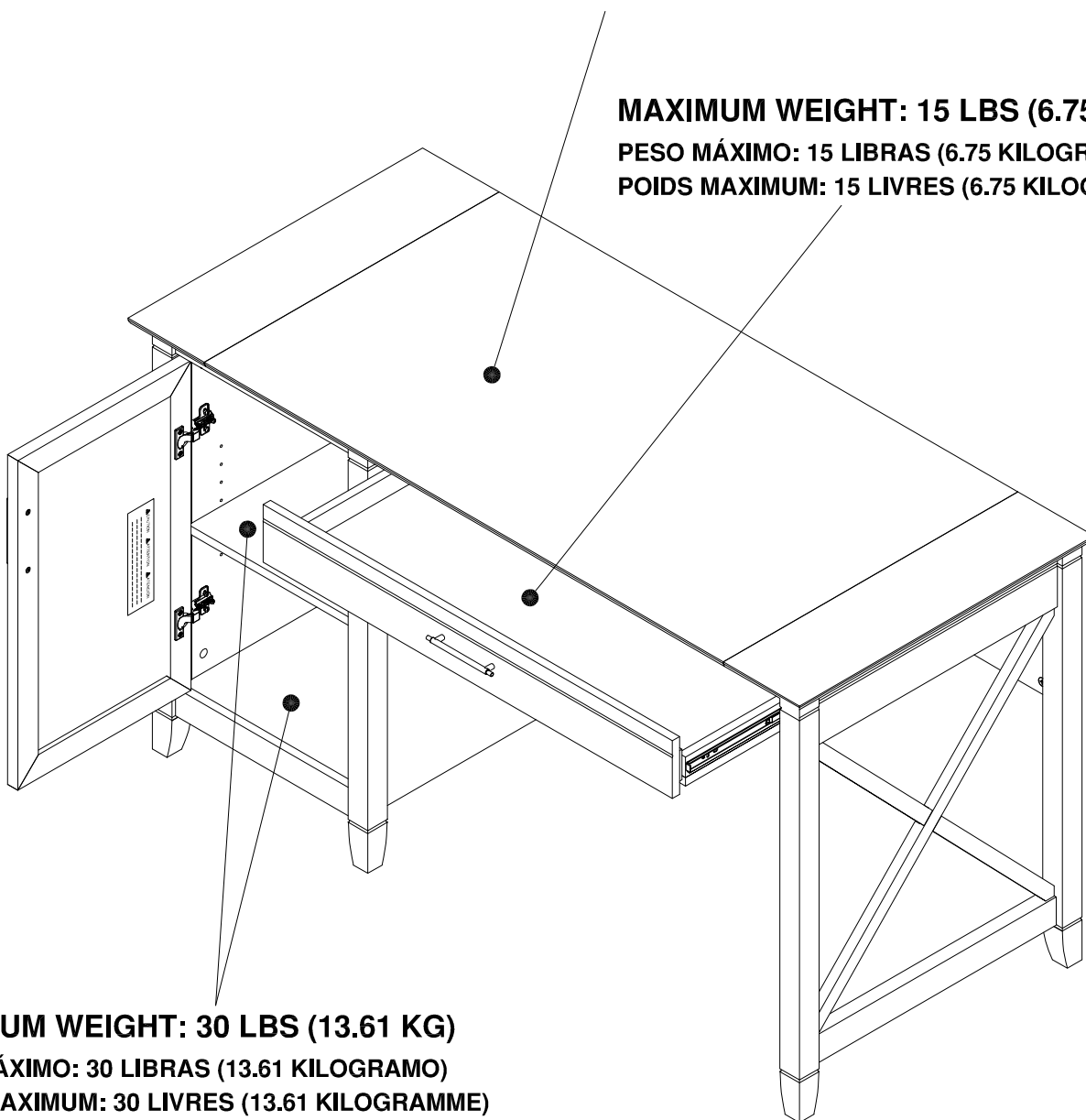
STEP 31

Maximum Loading and Cleaning

Gently clean surfaces with a damp sponge eraser.

MAXIMUM WEIGHT: 200 LBS (90.72 KG)
PESO MÁXIMO: 200 LIBRAS (90.72 KILOGRAMO)
POIDS MAXIMUM: 200 LIVRES (90.72 KILOGRAMME)

MAXIMUM WEIGHT: 15 LBS (6.75 KG)
PESO MÁXIMO: 15 LIBRAS (6.75 KILOGRAMO)
POIDS MAXIMUM: 15 LIVRES (6.75 KILOGRAMME)



MAXIMUM WEIGHT: 30 LBS (13.61 KG)
PESO MÁXIMO: 30 LIBRAS (13.61 KILOGRAMO)
POIDS MAXIMUM: 30 LIVRES (13.61 KILOGRAMME)

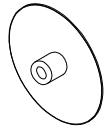
Congratulations! You are all done. If you have any questions or concerns, please call.

PARTS LIST

KWD154GH

A [1]	W194723	I [1]	W194731	Q [1]	S212540
B [1]	W194724	J [1]	W194732	R [1]	S194738
C [1]	W194725	K [1]	W212597	S [1]	W212541
D [1]	W208464	L [1]	W194734	T [1]	W194740
E [1]	W194727	M [1]	W212539	U [1]	W212542
F [1]	W194728	N [1]	W208466	V [1]	W194742
G [1]	W194729	O [1]	H181242	W [1]	W194743
H [1]	W194730	P [1]	W194736	X [1]	W194744

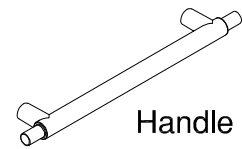
H200205



Cover Cap

[14]

H200219



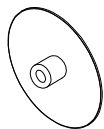
Handle

[2]

KWD154RCP

A [1]	W194745	I [1]	W194753	Q [1]	S212543
B [1]	W194746	J [1]	W194754	R [1]	S194760
C [1]	W194747	K [1]	W212598	S [1]	W212544
D [1]	W208467	L [1]	W194756	T [1]	W194762
E [1]	W194749	M [1]	W212539	U [1]	W212545
F [1]	W194750	N [1]	W208469	V [1]	W194764
G [1]	W194751	O [1]	H181242	W [1]	W194765
H [1]	W194752	P [1]	W194758	X [1]	W194766

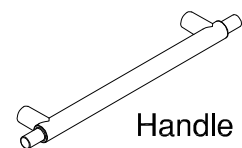
H200199



Cover Cap

[14]

H180971



Handle

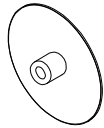
[2]

PARTS LIST

KWD154LW

A [1]	W194767	I [1]	W194775	Q [1]	S212546
B [1]	W194768	J [1]	W194776	R [1]	S194782
C [1]	W194769	K [1]	W212599	S [1]	W212547
D [1]	W208470	L [1]	W194778	T [1]	W194784
E [1]	W194771	M [1]	W212539	U [1]	W212548
F [1]	W194772	N [1]	W208472	V [1]	W194786
G [1]	W194773	O [1]	H181242	W [1]	W194787
H [1]	W194774	P [1]	W194780	X [1]	W194788

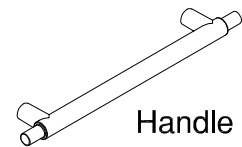
H200203



Cover Cap

[14]

H180971



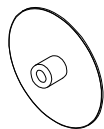
Handle

[2]

KWD154CG

A [1]	W194789	I [1]	W194797	Q [1]	S212549
B [1]	W194790	J [1]	W194798	R [1]	S194804
C [1]	W194791	K [1]	W212600	S [1]	W212550
D [1]	W208473	L [1]	W194800	T [1]	W194806
E [1]	W194793	M [1]	W212539	U [1]	W212551
F [1]	W194794	N [1]	W208475	V [1]	W194808
G [1]	W194795	O [1]	H181242	W [1]	W194809
H [1]	W194796	P [1]	W194802	X [1]	W194810

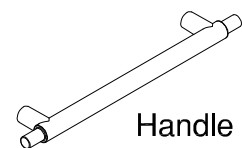
H186180



Cover Cap

[14]

H200219



Handle

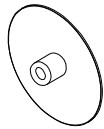
[2]

PARTS LIST

KWD154G2W

A [1]	W194811	I [1]	W194819	Q [1]	S212552
B [1]	W194812	J [1]	W194820	R [1]	S194826
C [1]	W194813	K [1]	W212601	S [1]	W212553
D [1]	W208476	L [1]	W194822	T [1]	W194828
E [1]	W194815	M [1]	W212539	U [1]	W212554
F [1]	W194816	N [1]	W208478	V [1]	W194830
G [1]	W194817	O [1]	H181242	W [1]	W194831
H [1]	W194818	P [1]	W194824	X [1]	W194832

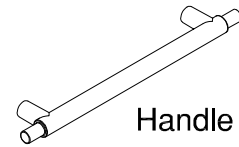
H170595



Cover Cap

[14]

H180971



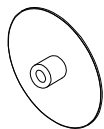
Handle

[2]

KWD154WG

A [1]	W181231	I [1]	W181236	Q [1]	S212555
B [1]	W181232	J [1]	W181237	R [1]	S181008
C [1]	W181233	K [1]	W212602	S [1]	W212556
D [1]	W180994	L [1]	W194343	T [1]	W181010
E [1]	W180995	M [1]	W212539	U [1]	W212557
F [1]	W180996	N [1]	W194608	V [1]	W181012
G [1]	W181234	O [1]	H181242	W [1]	W181013
H [1]	W181235	P [1]	W181006	X [1]	W181014

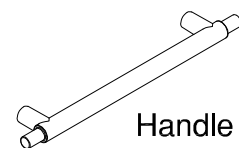
H180730



Cover Cap

[14]

H180971



Handle

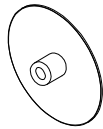
[2]

PARTS LIST

KWD154BC

A [1]	W183022	I [1]	W183027	Q [1]	S212558
B [1]	W183023	J [1]	W183028	R [1]	S183012
C [1]	W183024	K [1]	W212603	S [1]	W212559
D [1]	W183014	L [1]	W194354	T [1]	W183018
E [1]	W183015	M [1]	W212539	U [1]	W212560
F [1]	W183016	N [1]	W194609	V [1]	W183019
G [1]	W183025	O [1]	H181242	W [1]	W183020
H [1]	W183026	P [1]	W183017	X [1]	W183021

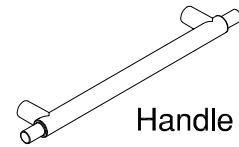
H159346



Cover Cap

[14]

H180971



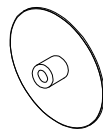
Handle

[2]

KWD154WT

A [1]	W190267	I [1]	W190272	Q [1]	S212561
B [1]	W190268	J [1]	W190273	R [1]	S190257
C [1]	W190269	K [1]	W212604	S [1]	W212562
D [1]	W190259	L [1]	W194356	T [1]	W190263
E [1]	W190260	M [1]	W212539	U [1]	W212563
F [1]	W190261	N [1]	W194610	V [1]	W190264
G [1]	W190270	O [1]	H181242	W [1]	W190265
H [1]	W190271	P [1]	W190262	X [1]	W190266

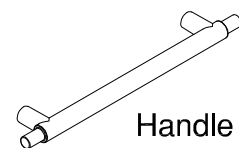
H192368



Cover Cap

[14]

H180971



Handle

[2]