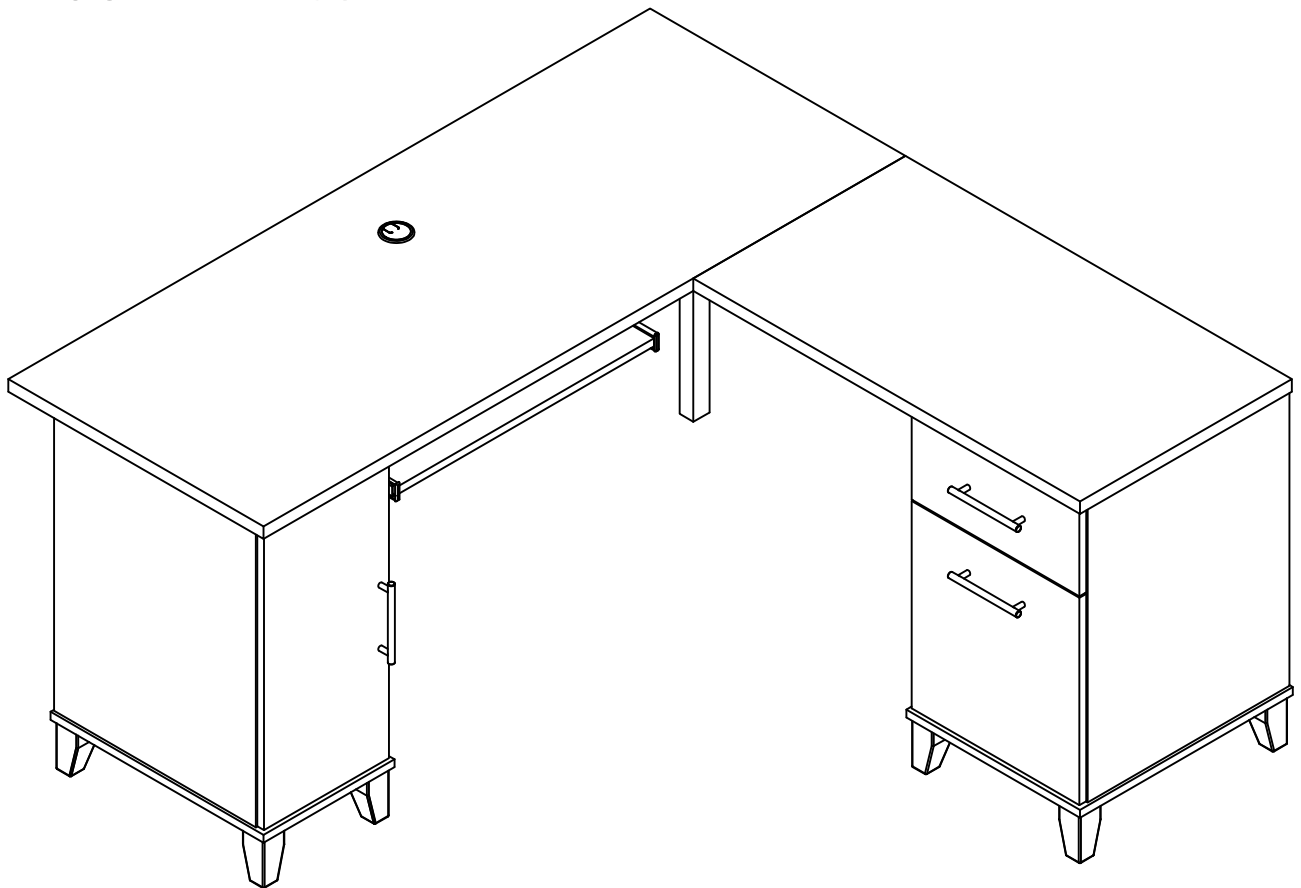




cubicles.com

60W L Desk



Get Ready to Assemble

For best results, keep these tips in mind:

- ① We know you want to finish this assembly as quickly as possible, but trust us: you'll have a better experience if you take it one step at a time.
- ② Give yourself some room to work near where you want the fully assembled product.
- ③ If your floor isn't carpeted, assemble this product on the empty carton to avoid scratching.
- ④ Do you have a friend who owes you a favor? Some steps may go a little easier with a second set of hands.

DOs

- ✔ Use a #2 Phillips head screwdriver (or other handheld tools as indicated)
- ✔ Wear safety glasses at all times during assembly
- ✔ Carefully follow the instructions in this guide and complete all steps in order
- ✔ Give us a call if you're having trouble with a particularly tricky step

DON'Ts

- ✘ We know power tools are quick and easy, but you shouldn't use them when assembling this product (unless otherwise specified)
- ✘ Never move your furniture with items inside or resting on the surface
- ✘ Do not attempt to use this product before all steps have been completed

IMPORTANT SAFETY INFORMATION



PLEASE READ WARNINGS

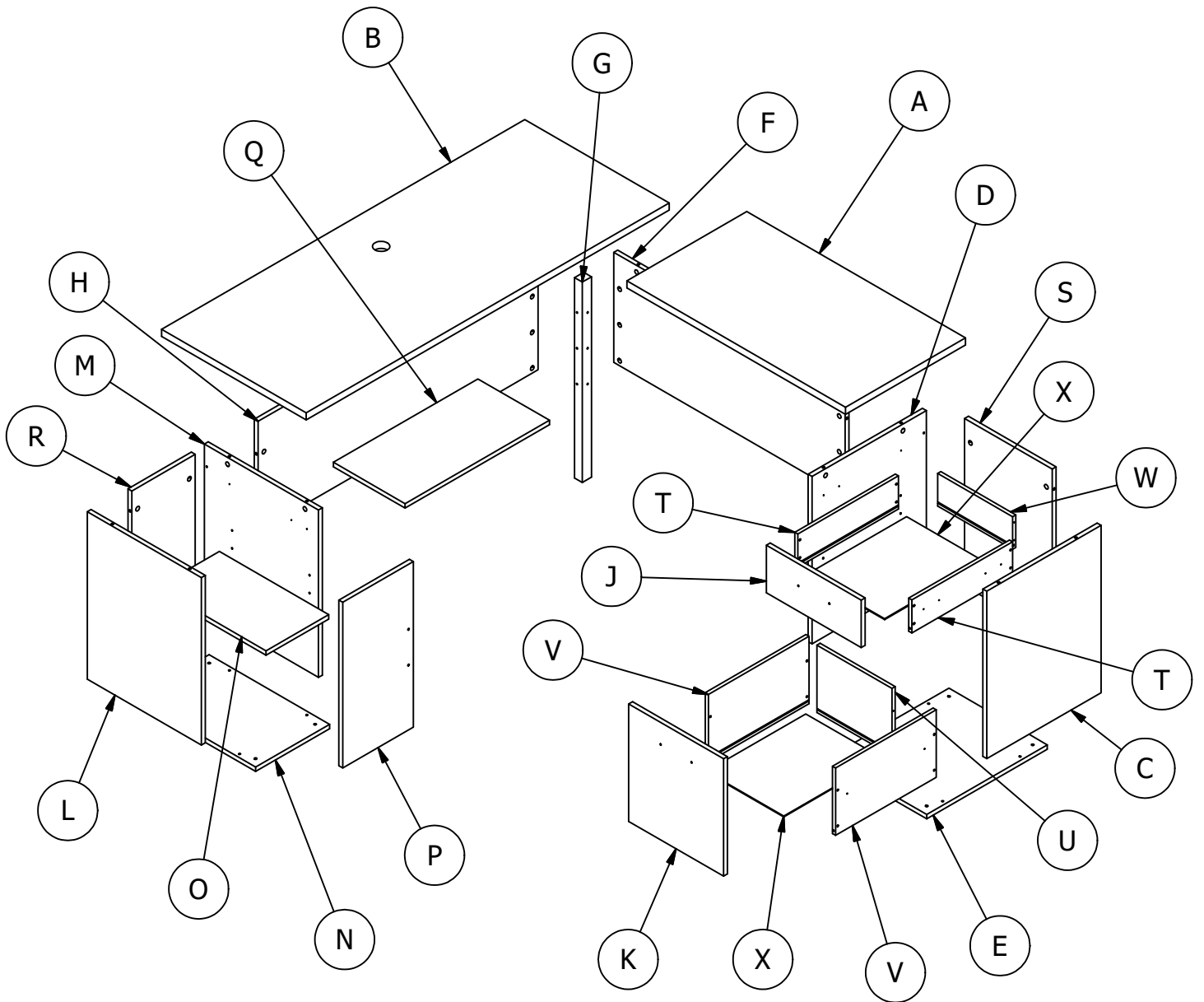
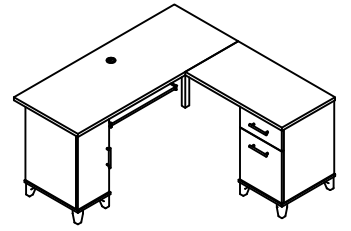
Improper use can cause safety hazards, or damage to your furniture and household items.

Warning	Do	Don't	Why it's important
Serious injury may occur.	<ul style="list-style-type: none">Assemble following all instructions using all indicated parts and hardware provided.	<ul style="list-style-type: none">Do not move unit when loaded.Do not load with a television or other heavy equipment.Do not exceed the maximum load limits stated in the instructions.	Improper assembly, use or loading can lead to product instability, tipover, or collapse.

Advertencia	Hacer	No	Por qué es importante
Pueden producirse lesiones graves.	<ul style="list-style-type: none">Realice el montaje siguiendo todas las instrucciones y utilizando todas las piezas indicadas y los herrajes suministrados.	<ul style="list-style-type: none">No mueva la unidad cuando esté cargada.No cargue el mueble con un televisor u otro equipo pesado.No supere los límites máximos de carga indicados en las instrucciones.	El montaje, uso o carga inadecuados pueden provocar inestabilidad, vuelco o colapso del producto.

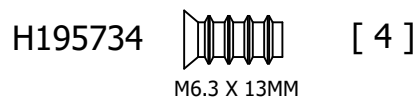
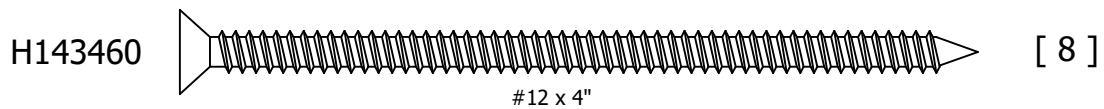
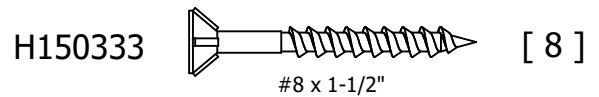
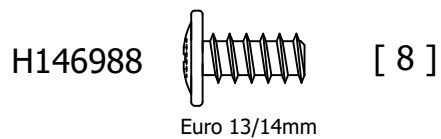
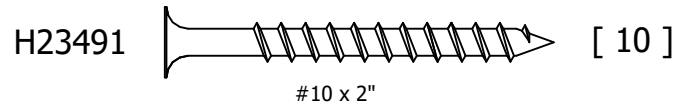
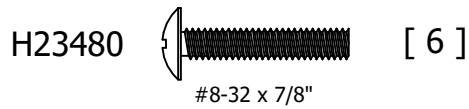
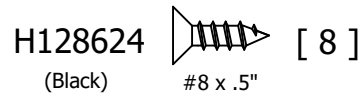
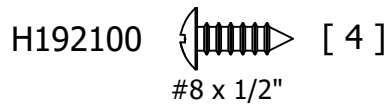
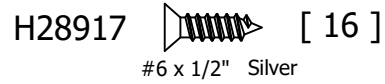
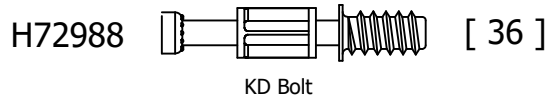
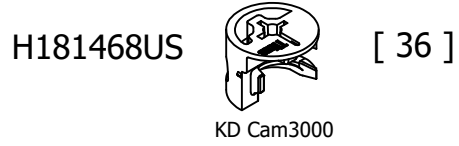
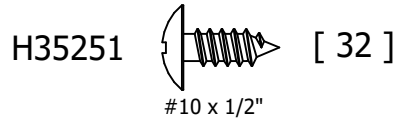
Avertissement	À faire	À ne pas faire	Pourquoi c'est important
Peut entraîner des blessures graves.	<ul style="list-style-type: none">Assembler en suivant toutes les instructions et en utilisant toutes les pièces et la quincaillerie incluses.	<ul style="list-style-type: none">Ne pas déplacer le meuble lorsqu'il est chargé.Ne pas charger le meuble avec un téléviseur ou tout autre équipement lourd.Ne pas dépasser les limites de poids maximales indiquées dans les instructions.	Un assemblage, une utilisation ou un chargement incorrects peuvent entraîner l'instabilité, le basculement ou l'effondrement du produit.

Get to know your Boards



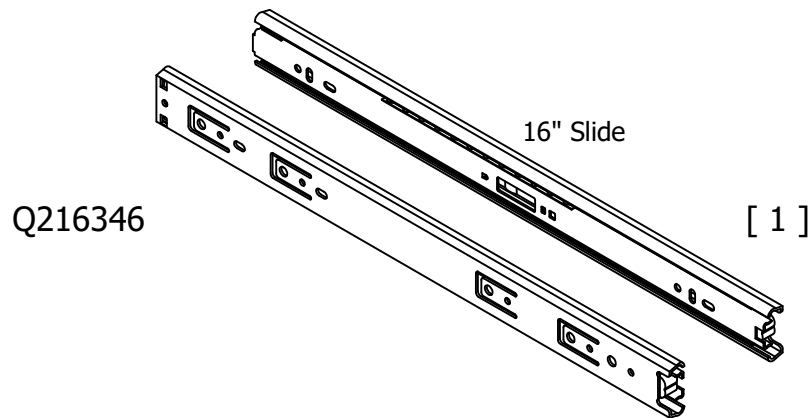
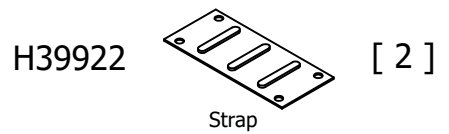
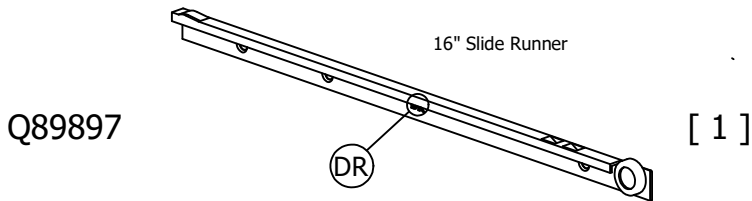
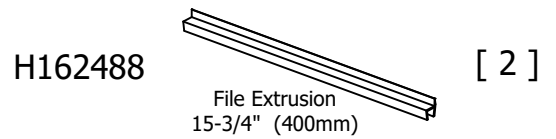
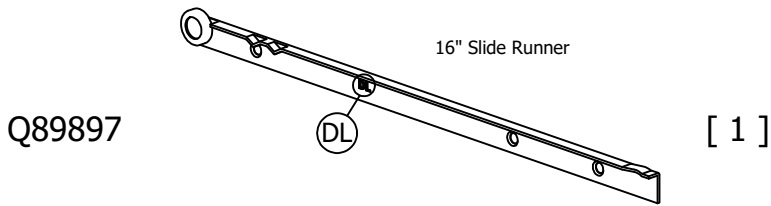
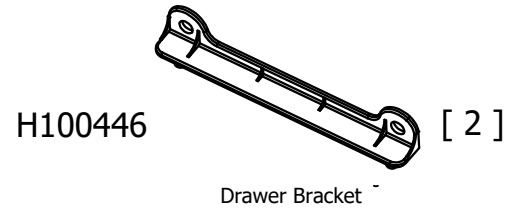
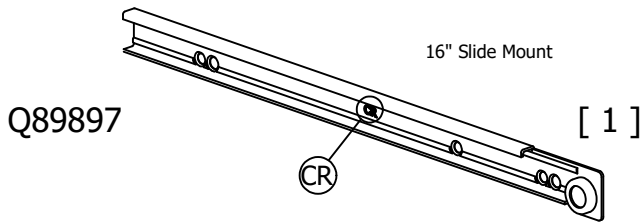
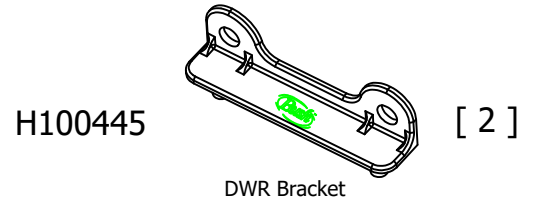
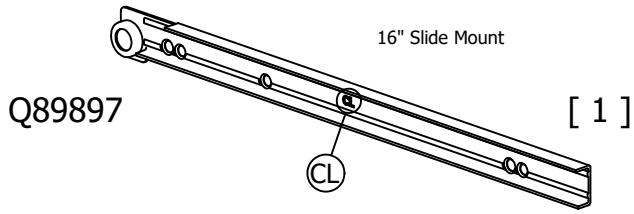
Get to know your Fasteners

Fasteners are shown actual size.



Get to know your Hardware

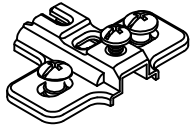
Hardware not to scale.



Get to know your Hardware

Hardware not to scale.

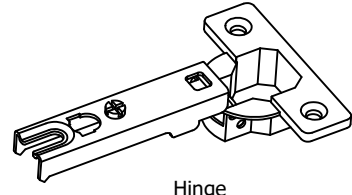
H126364



Mounting Plate

[2]

H126359



Hinge

[2]

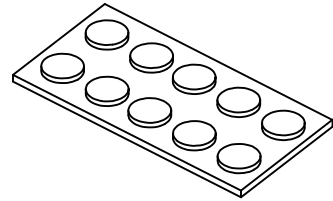
H23604



Shelf Pin

[4]

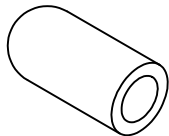
H215406



Bumper (10) per pack

[1]

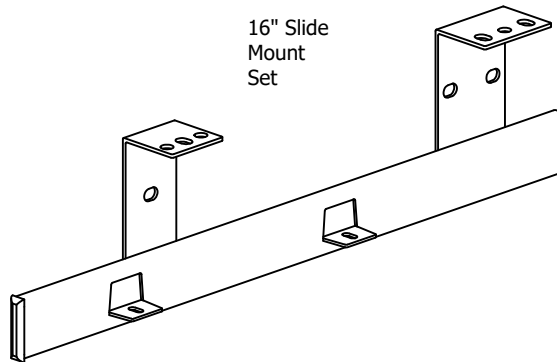
H126396



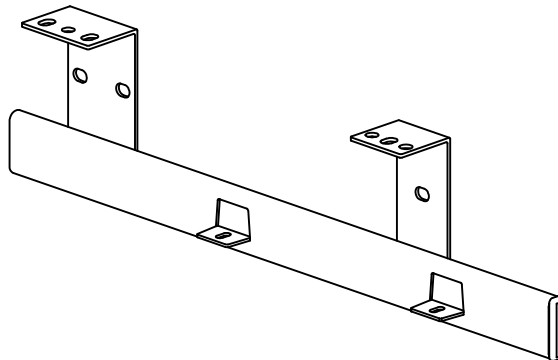
Shelf Pin Sleeve

[4]

16" Slide
Mount
Set



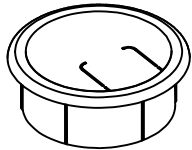
Q92805



[1]

Get to know your Hardware

Hardware not to scale.



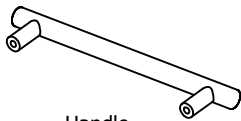
[1]

Grommet



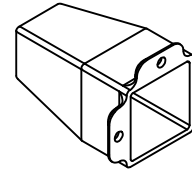
[28]

Cover Cap



[3]

Handle



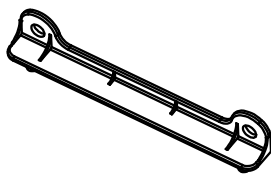
[8]

Foot

STEP 1

Prepare Panels

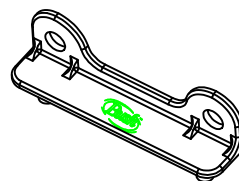
H100446



[2]

Drawer Bracket

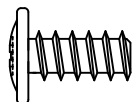
H100445



[2]

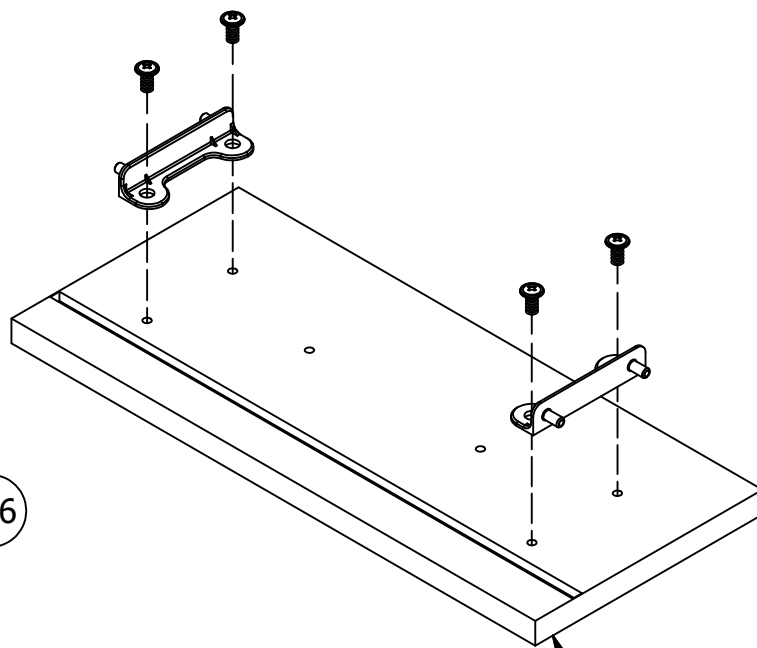
DWR Bracket

H146988

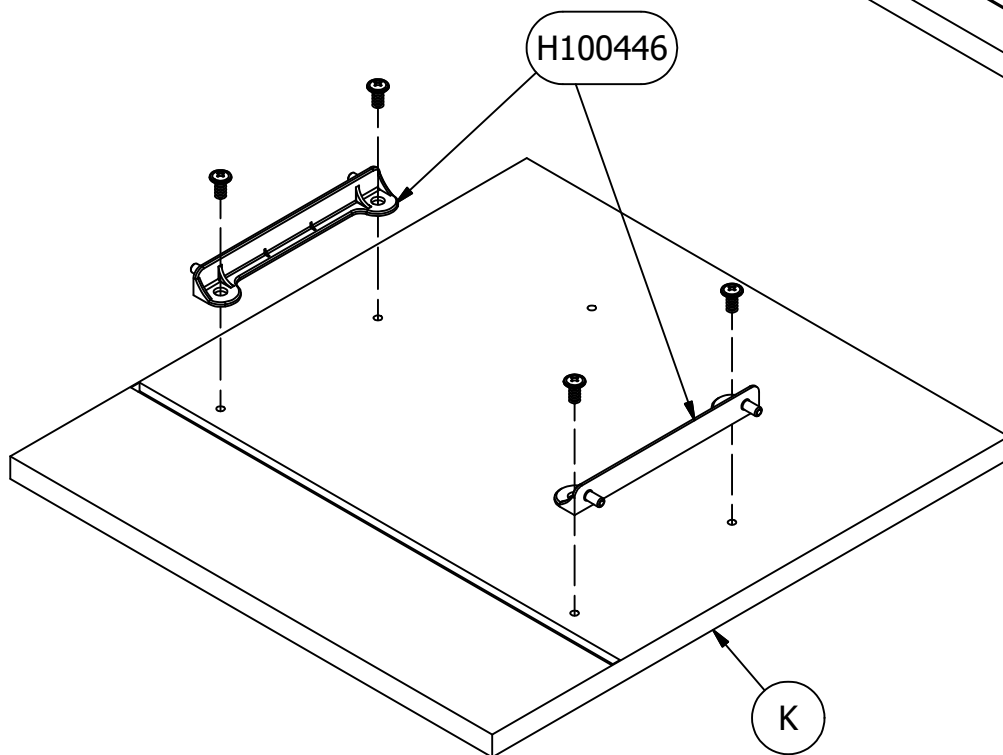


[8]

Euro 13/14mm



J

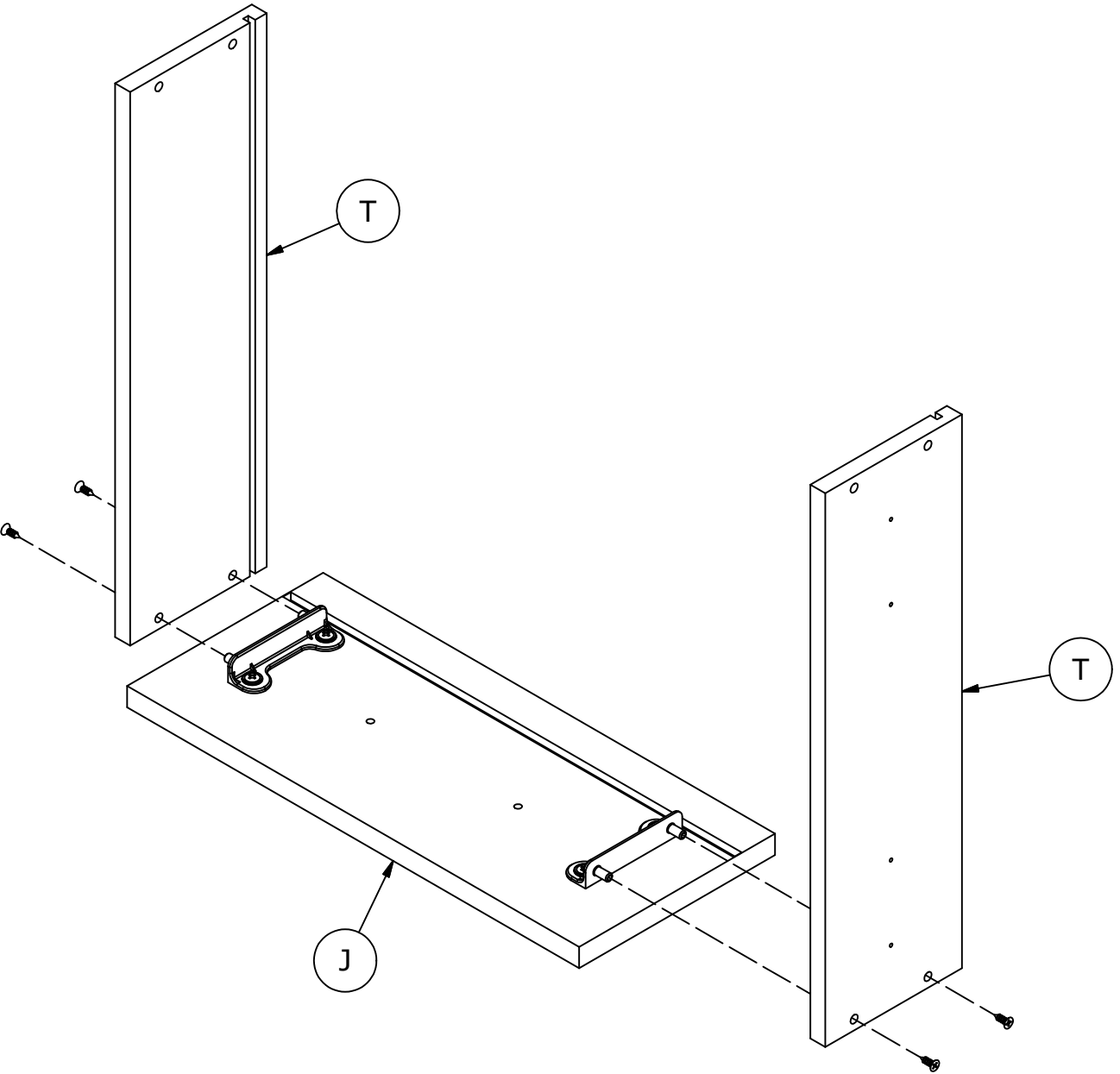


K

STEP 2

Assemble Panels

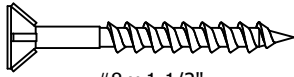
H128624 [4]
(Black) #8 x .5"



STEP 3

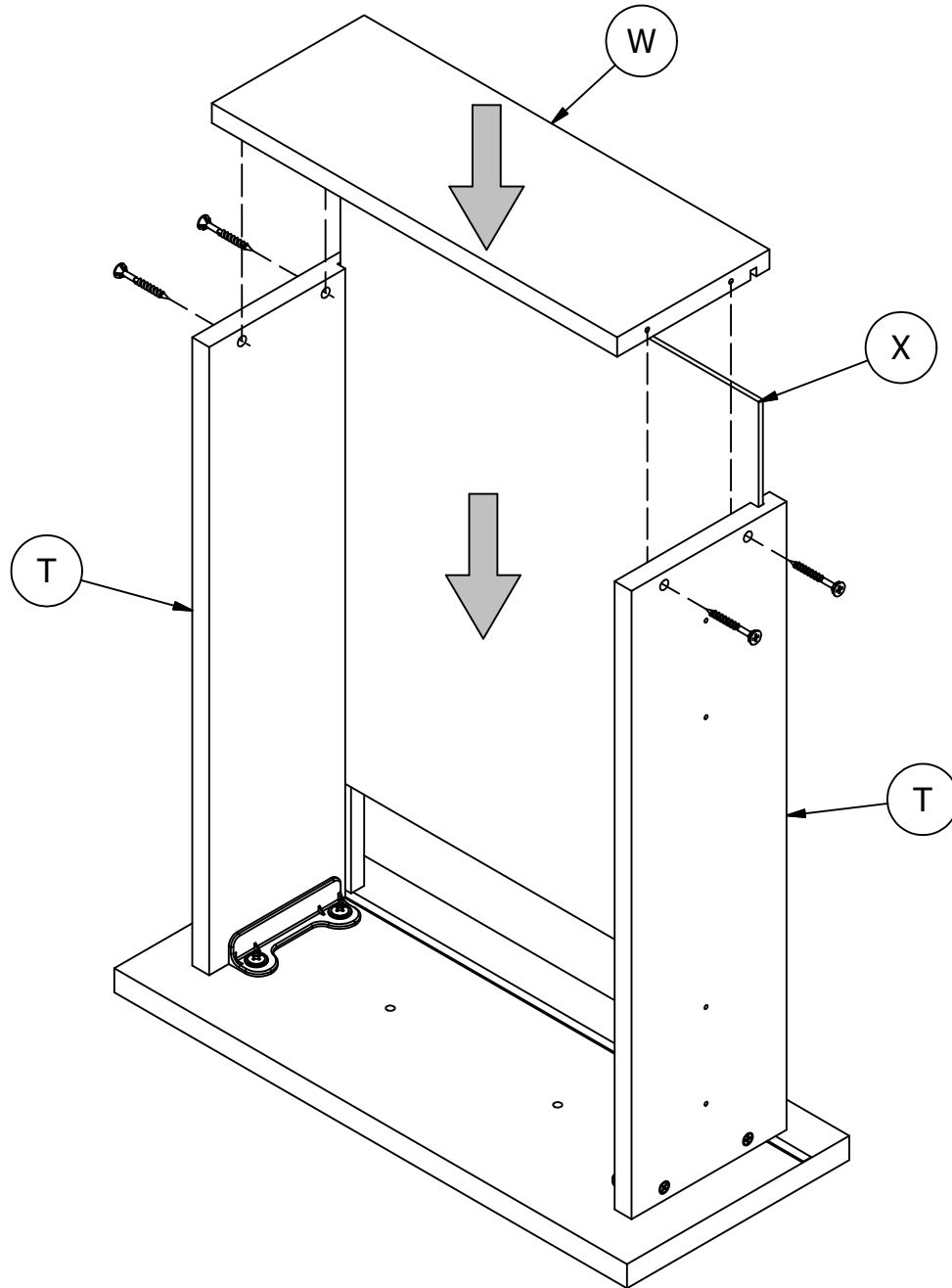
Assemble Panels

H150333




#8 x 1-1/2"


[4]

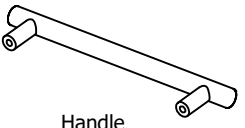


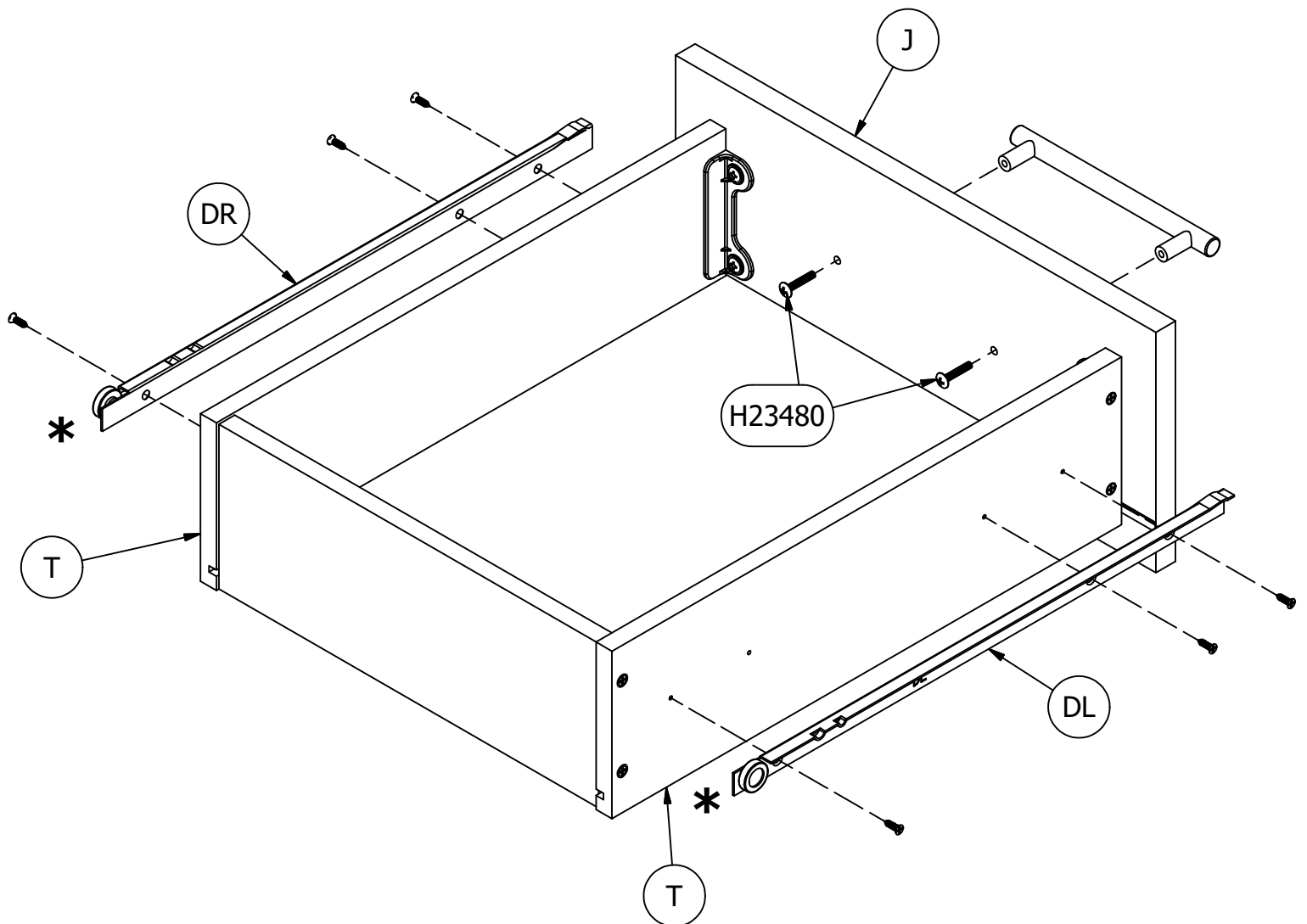
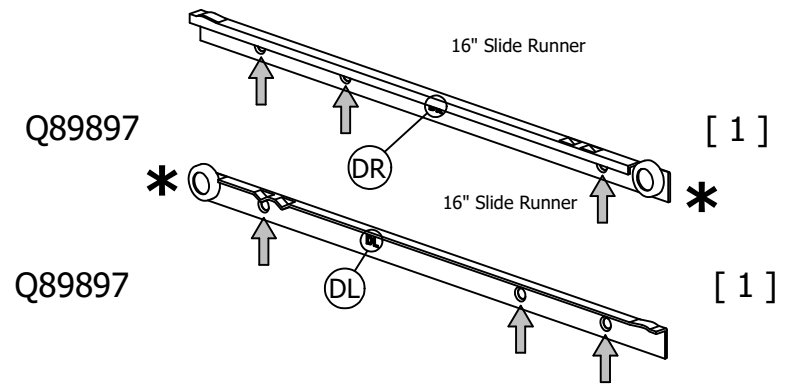
STEP 4

Attach Hardware

H23480  [2]
#8-32 x 7/8"

H28917  [6]
#6 x 1/2" Silver

 [1]
Handle



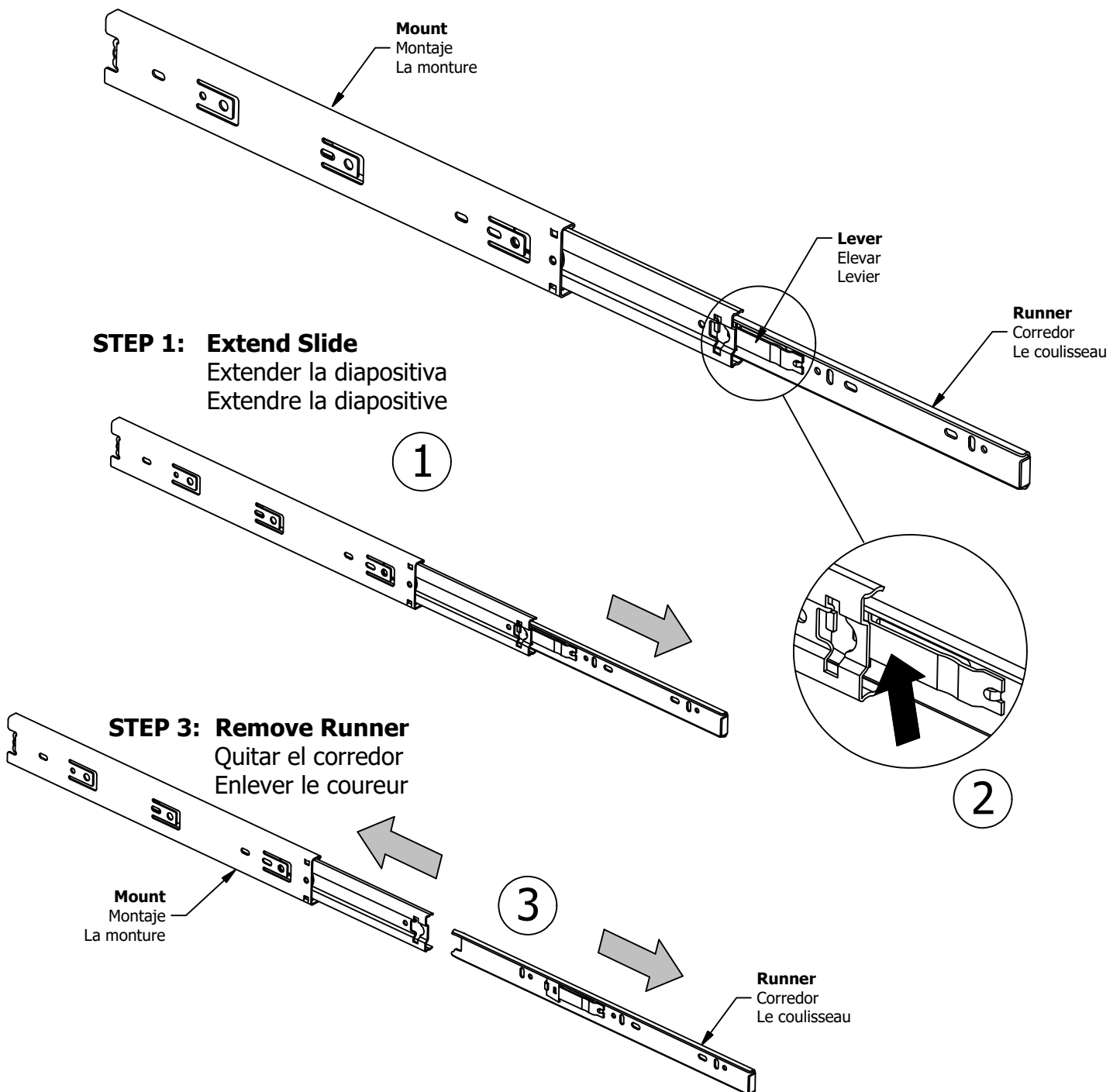
STEP 5

Separate Slides

**Slides Must Be Separated Before Assembly.
After Separated, Set Aside Until Needed for Assembly.**

Las diapositivas deben separarse antes del montaje.
Después de la separación, déjelo a un lado hasta que sea necesario.

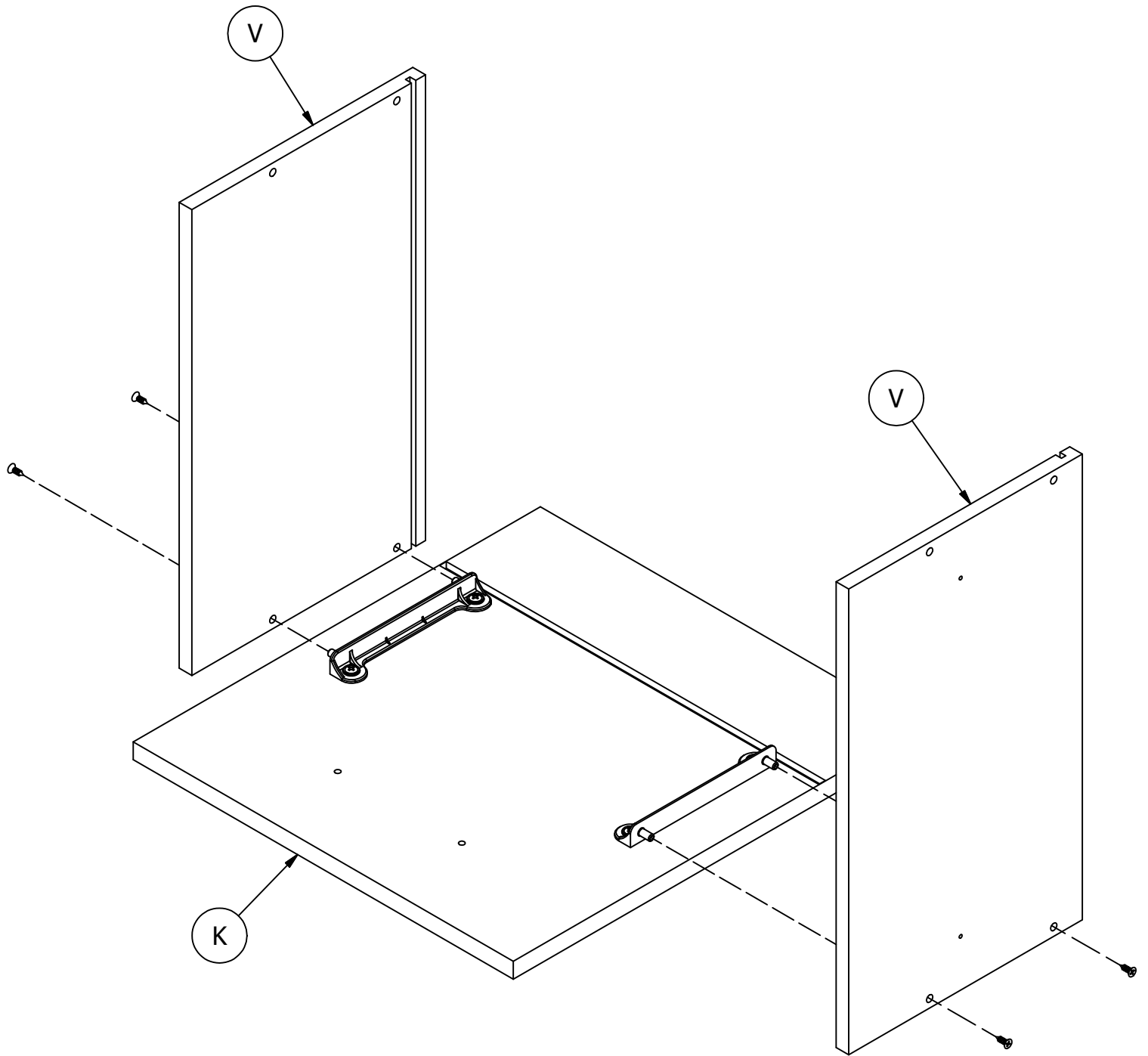
Les glissières doivent être séparées avant l'assemblage.
Après la séparation, mettez de côté jusqu'au moment de l'assemblage.



STEP 6

Assemble Panels

H128624 [4]
(Black) #8 x .5"



STEP 7

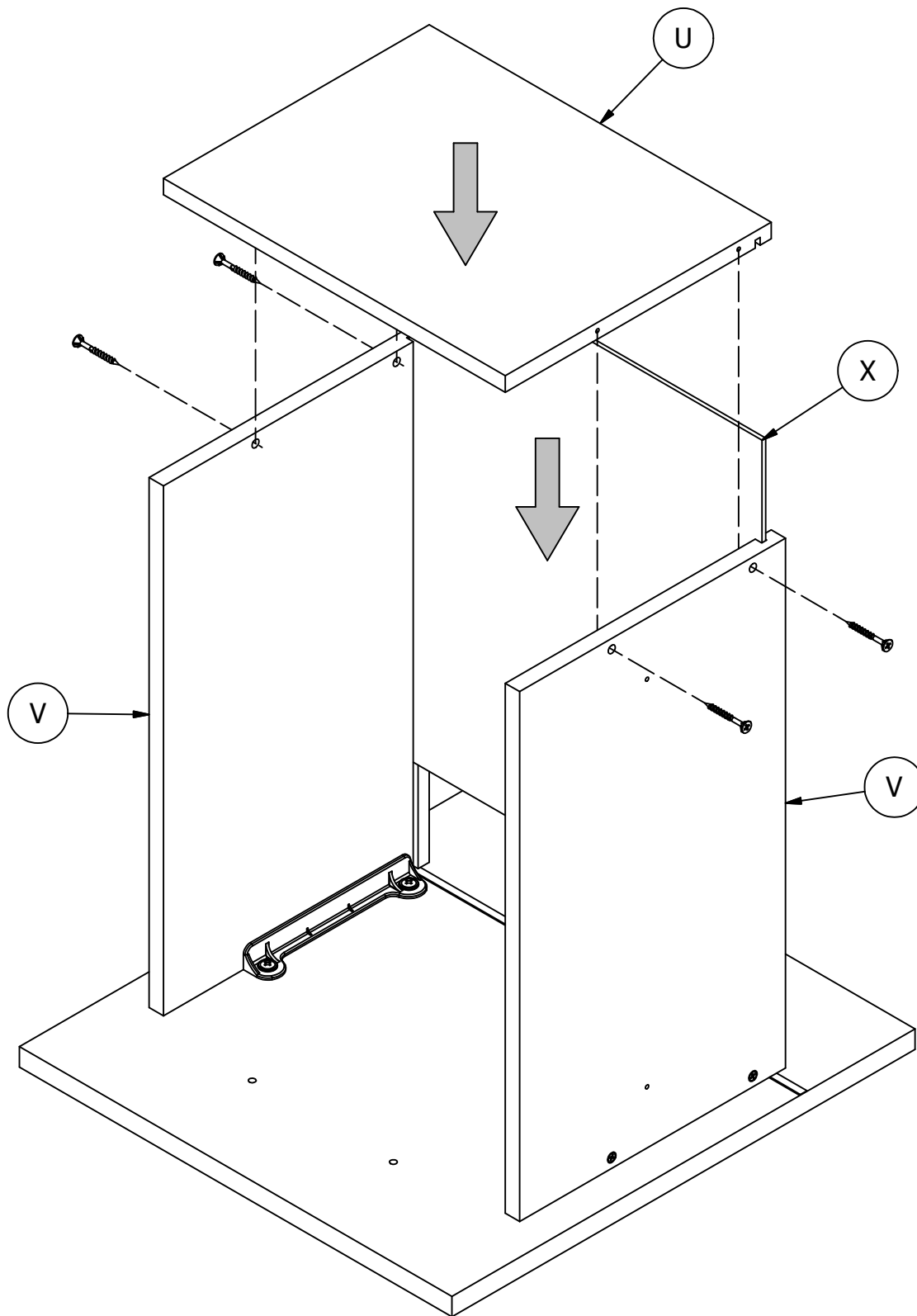
Assemble Panels

H150333




#8 x 1-1/2"

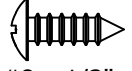
[4]

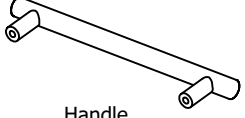


STEP 8

Attach Hardware

H23480  [2]
#8-32 x 7/8"

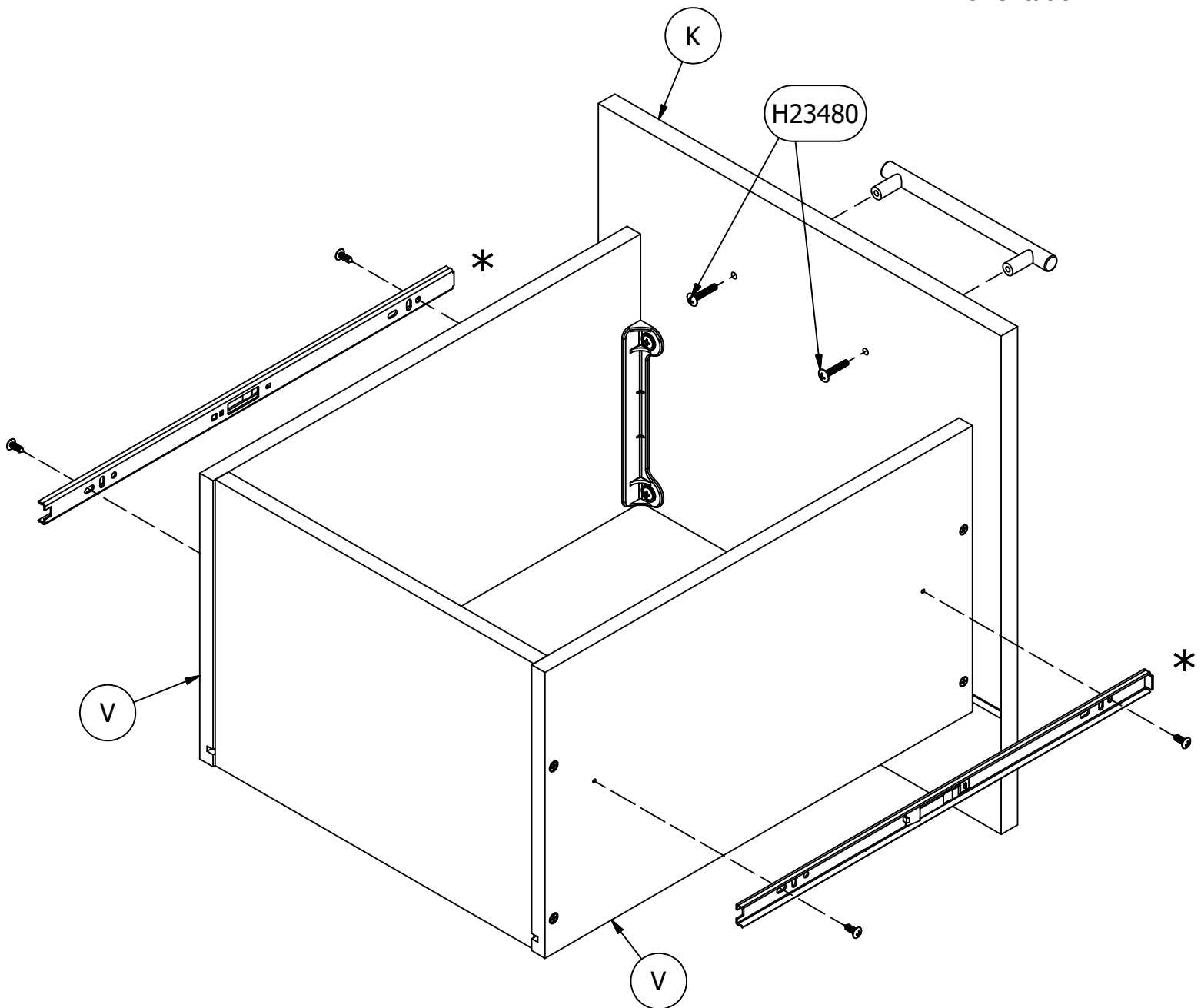
H192100  [4]
#8 x 1/2"

 [1]
Handle

Q216346  [2]

16" Slide Runner

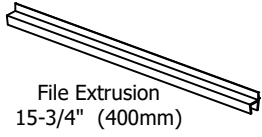
Orientation
Orientación
L'orientation



STEP 9

Attach Hardware

H162488



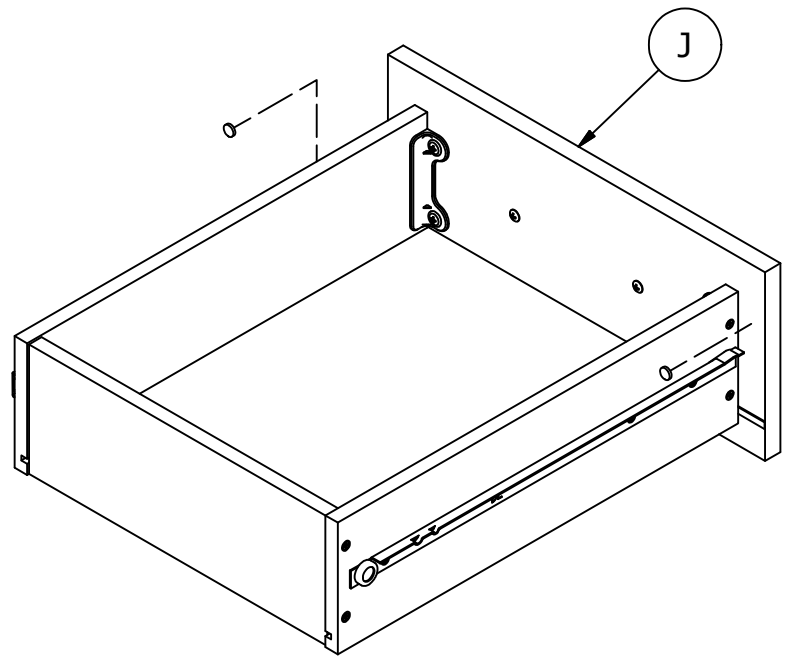
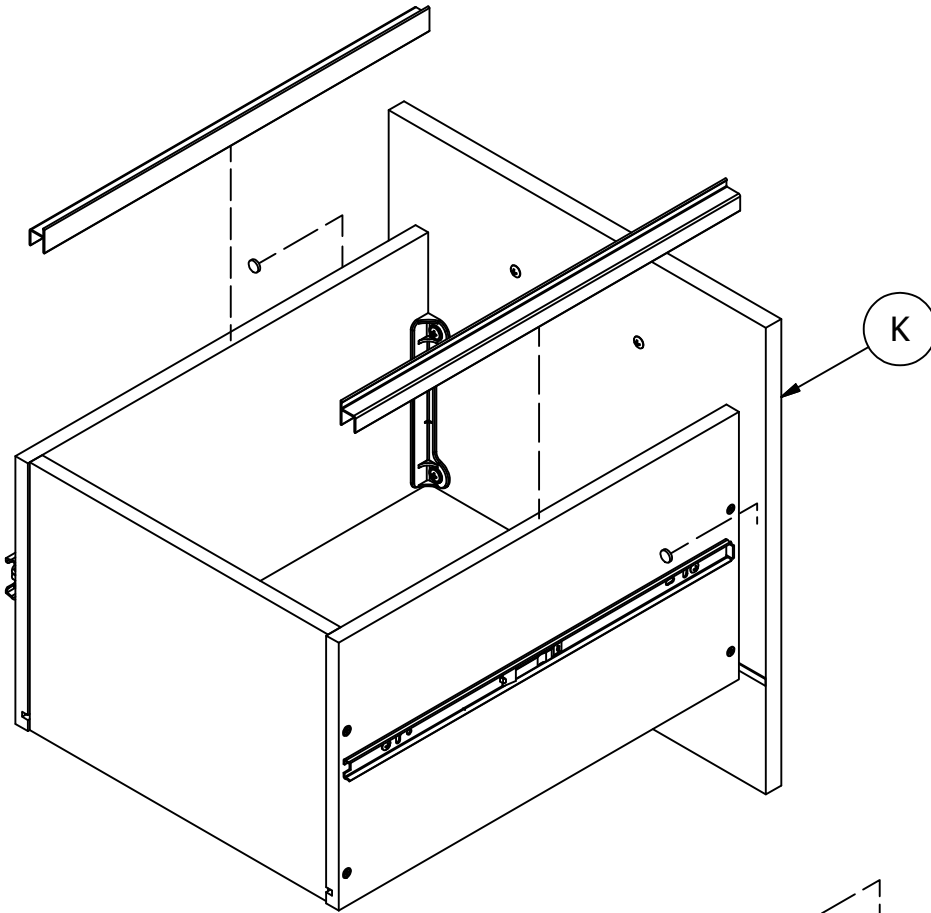
[2]

H215406




[4]


Bumper

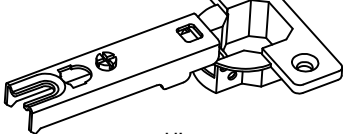



STEP 10

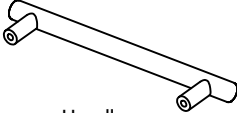
Prepare Panel

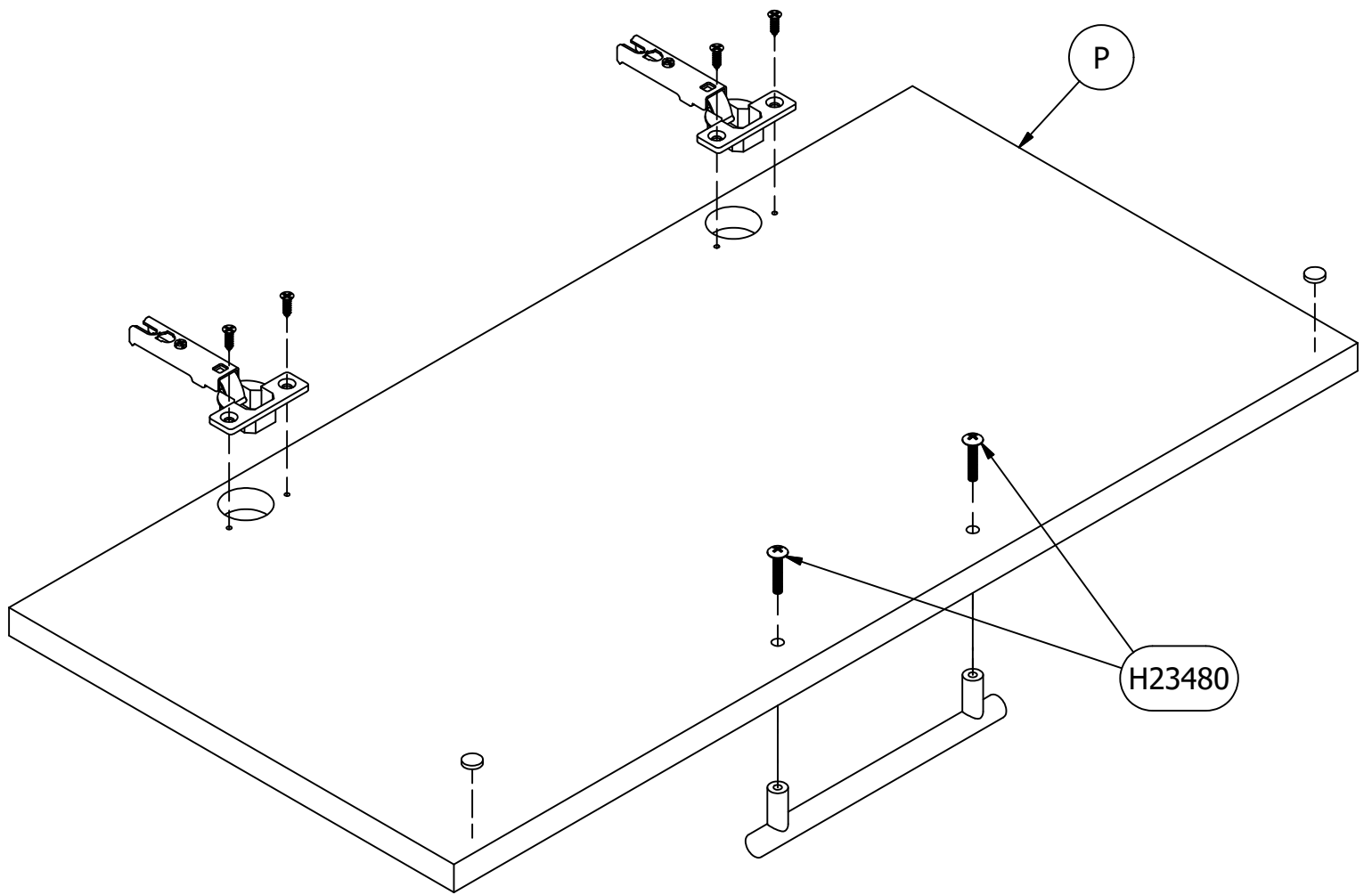
H23480  [2]
#8-32 x 7/8"

H215406  [2]
Bumper

H126359  [2]
Hinge

H28917  [4]
#6 x 1/2" Silver

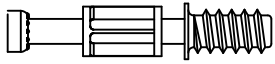
 [1]
Handle



STEP 11

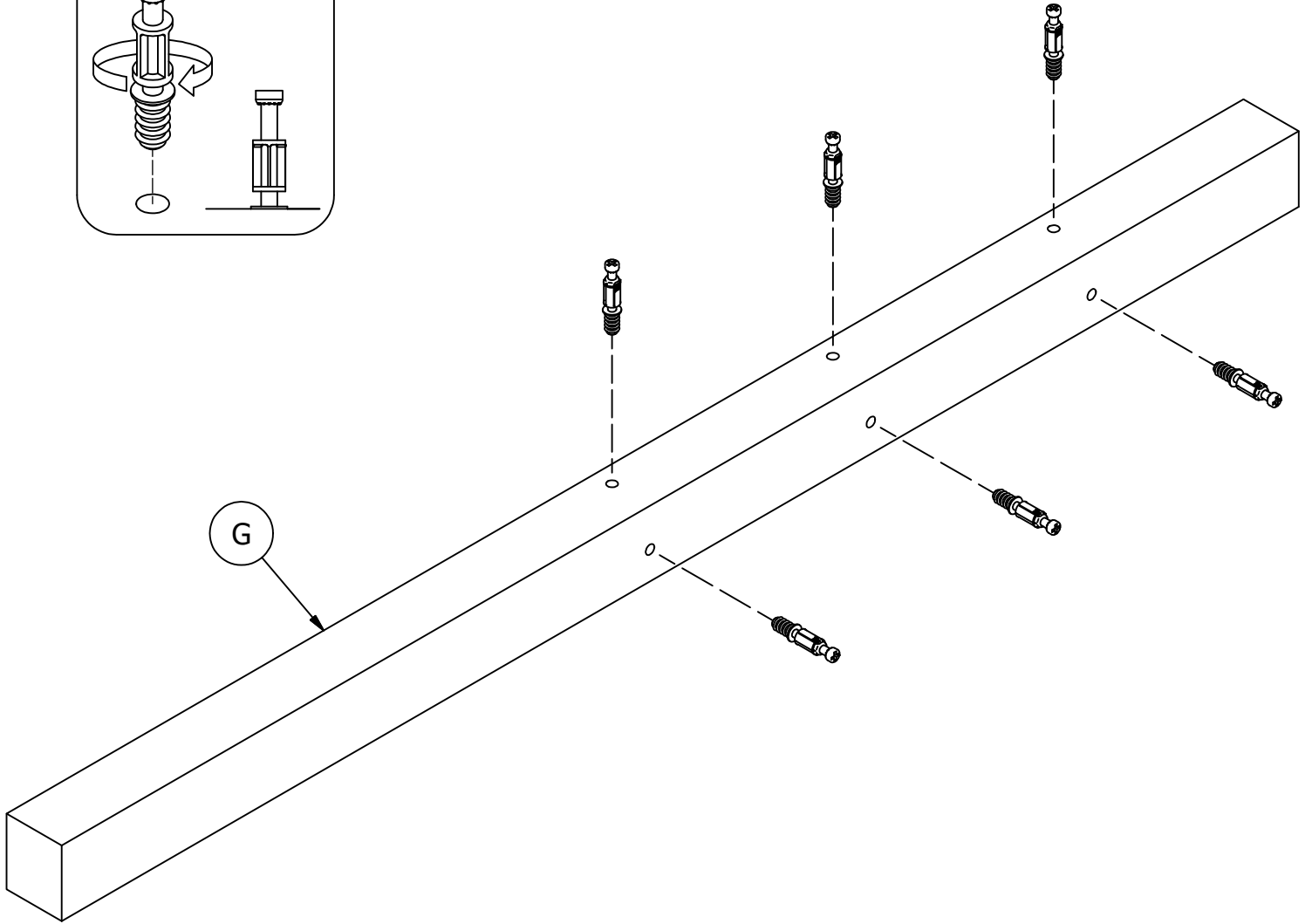
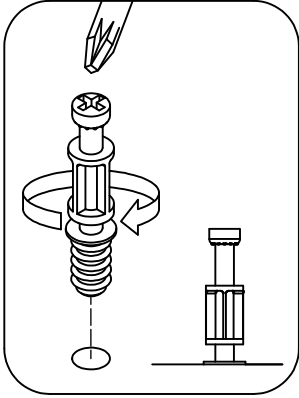
Prepare Panel

H72988



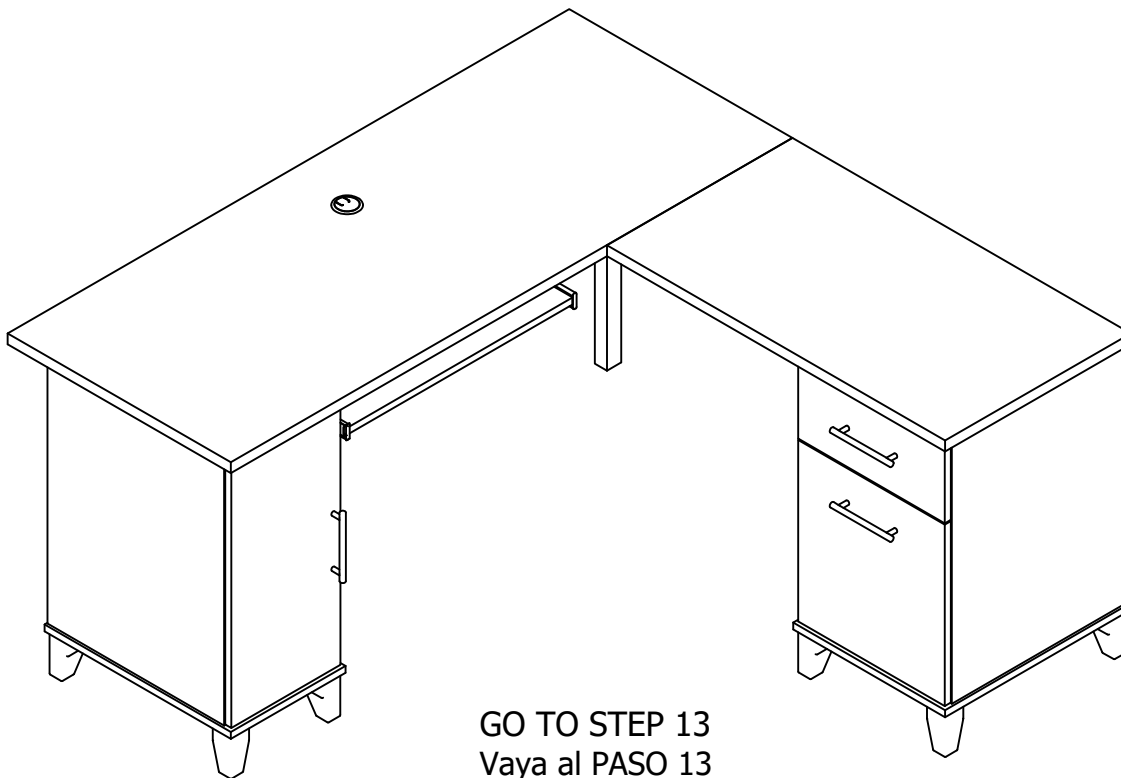
[6]

KD Bolt

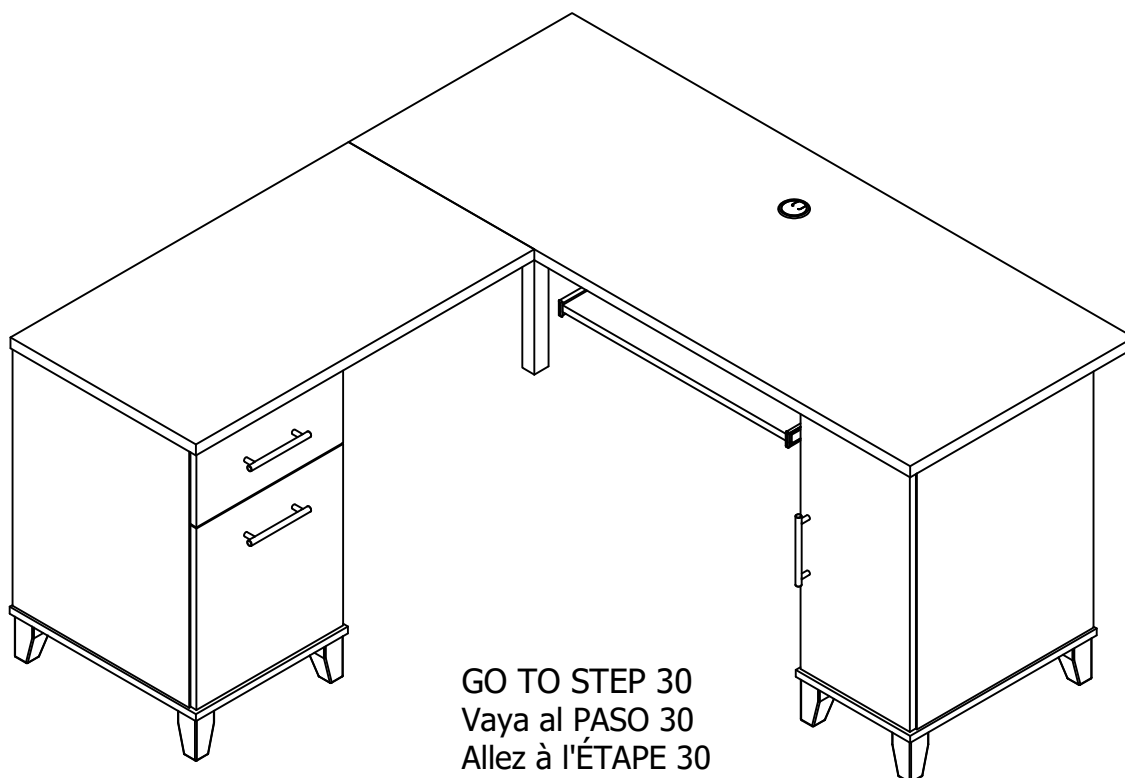


STEP 12

Assembly Options



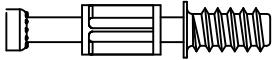
GO TO STEP 13
Vaya al PASO 13
Allez à l'ÉTAPE 13

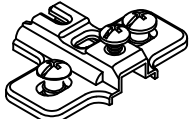


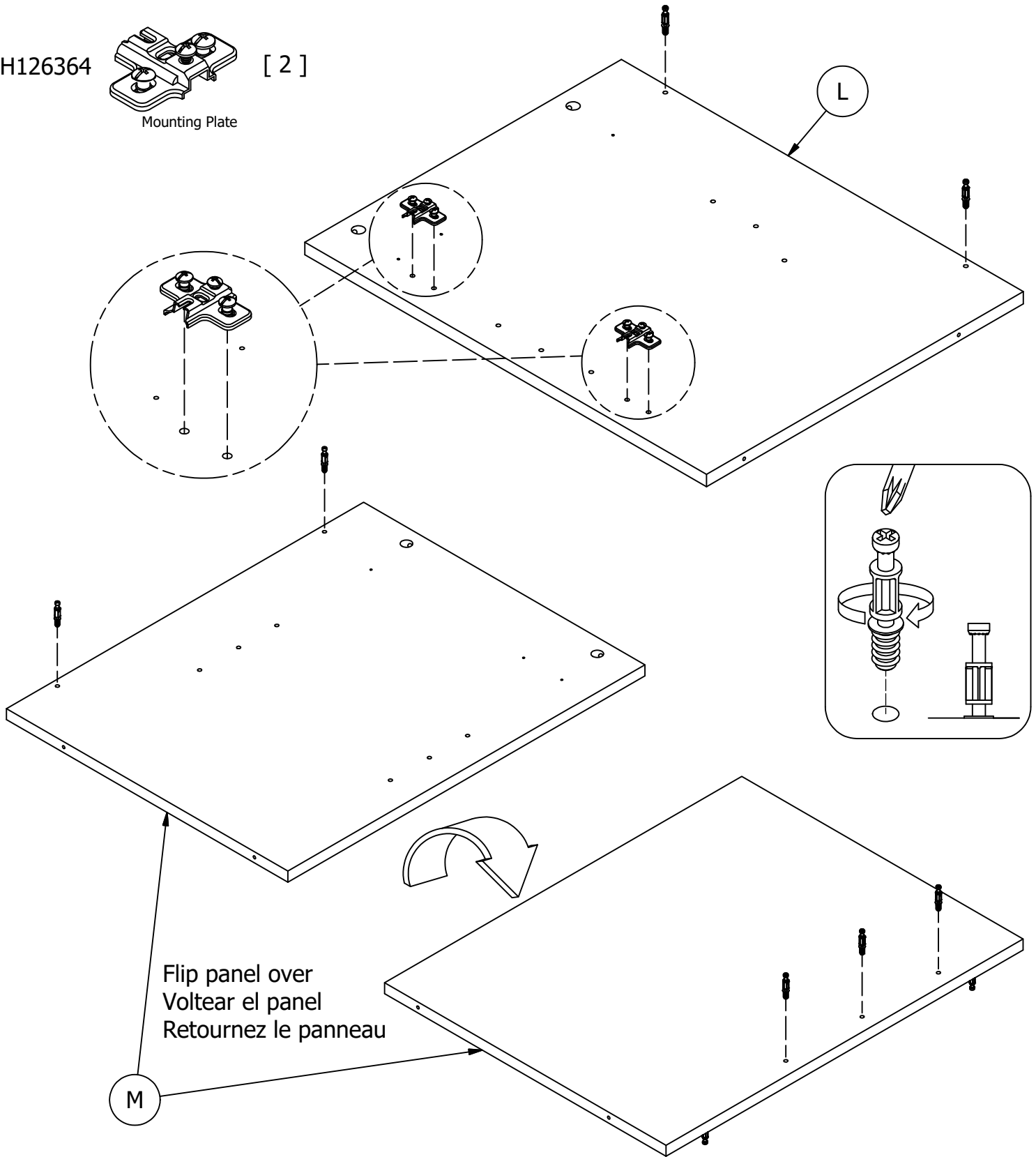
GO TO STEP 30
Vaya al PASO 30
Allez à l'ÉTAPE 30

STEP 13

Prepare Panels

H72988  [7]
KD Bolt

H126364  [2]
Mounting Plate



Flip panel over
Voltear el panel
Retournez le panneau

M

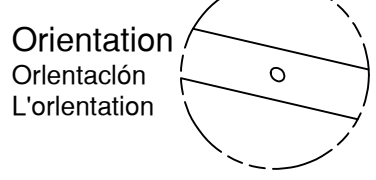
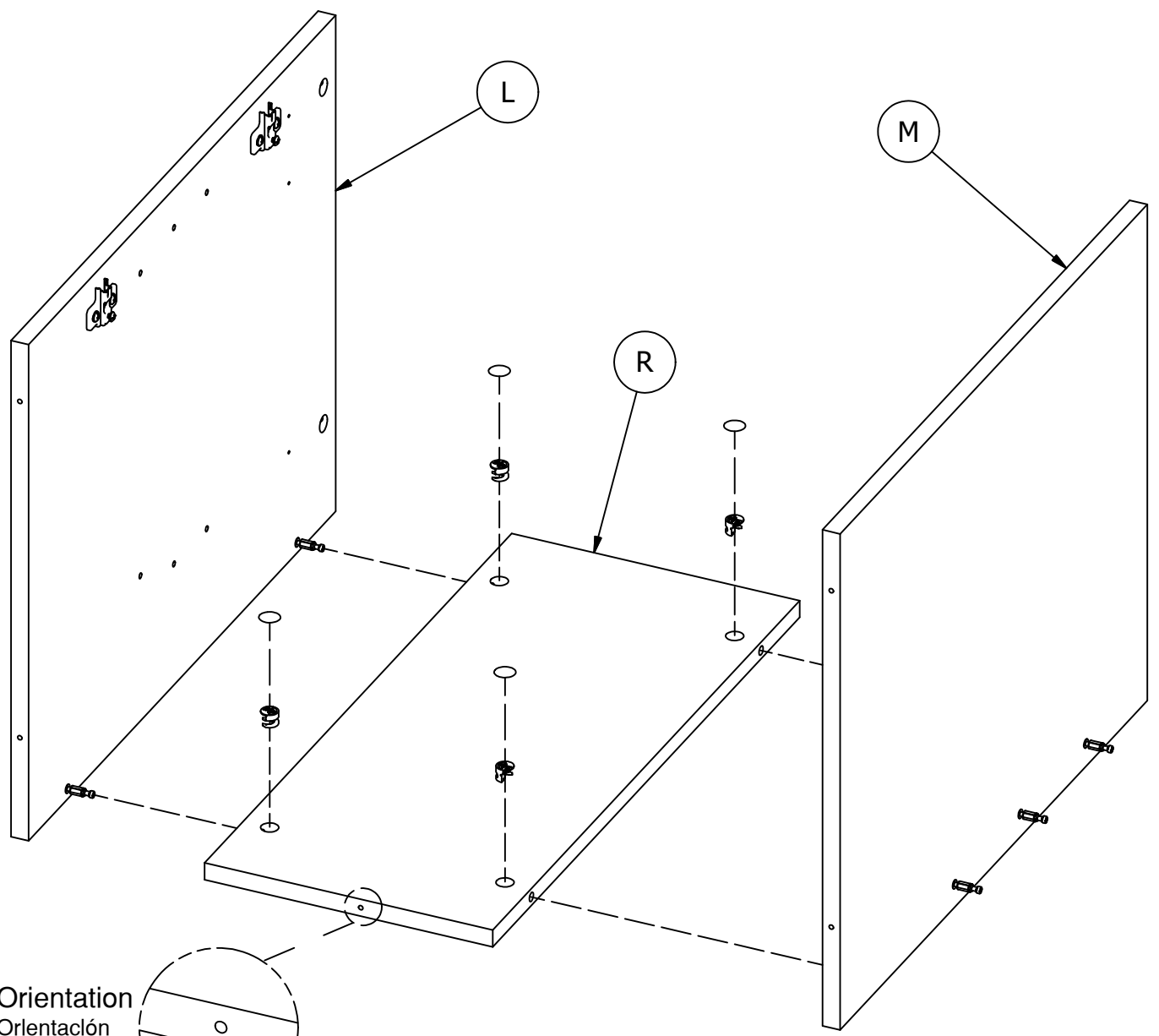
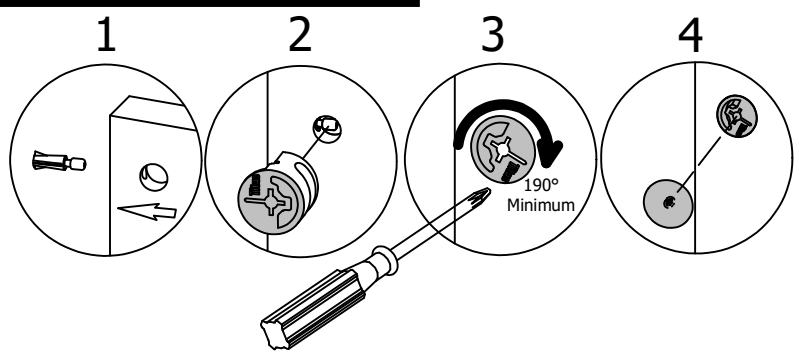
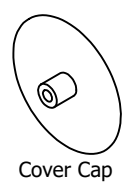
STEP 14

Assemble Panels

H181468US [4]



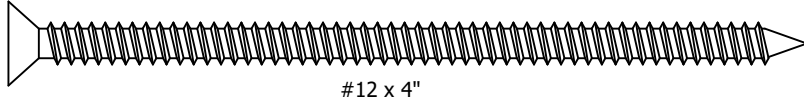
[4]



STEP 15

Prepare Panel

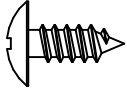
H143460



[4]

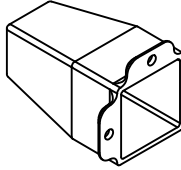
#12 x 4"

H35251



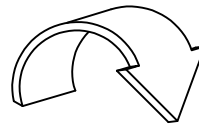
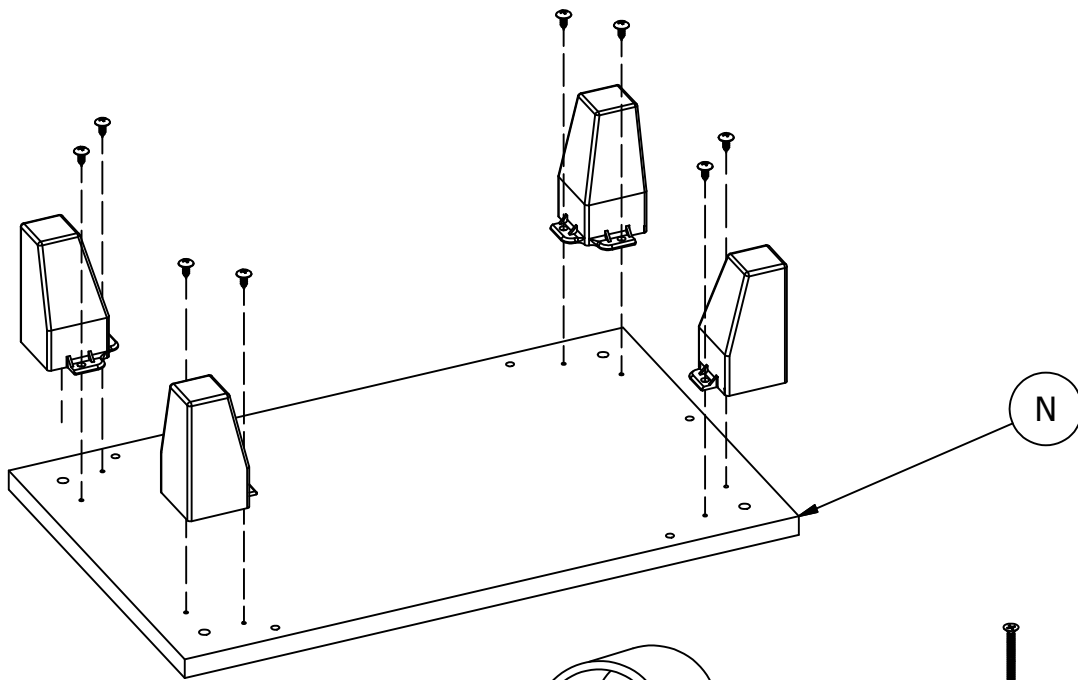
[8]

#10 x 1/2"

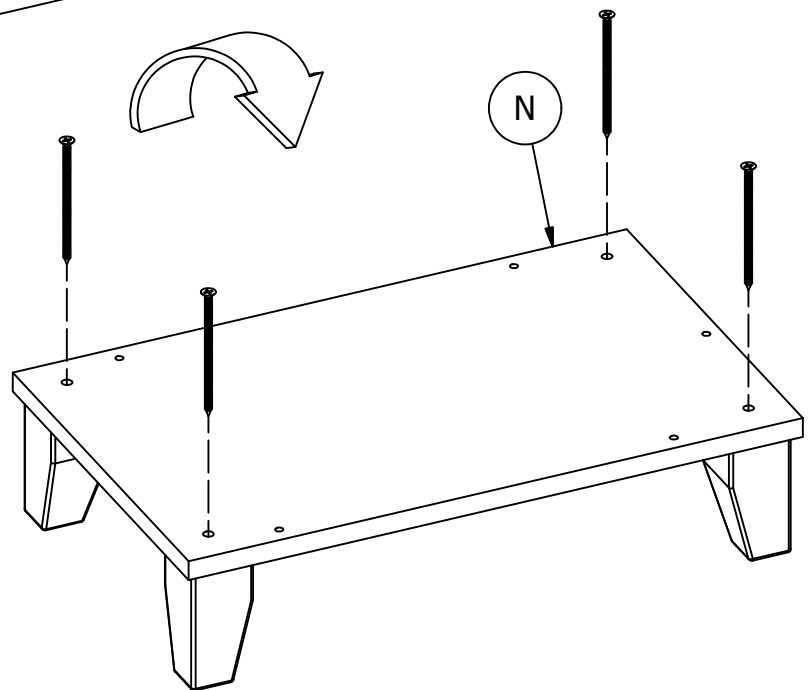


[4]

Foot



Flip panel over
Voltear el panel
Retournez le panneau



STEP 16

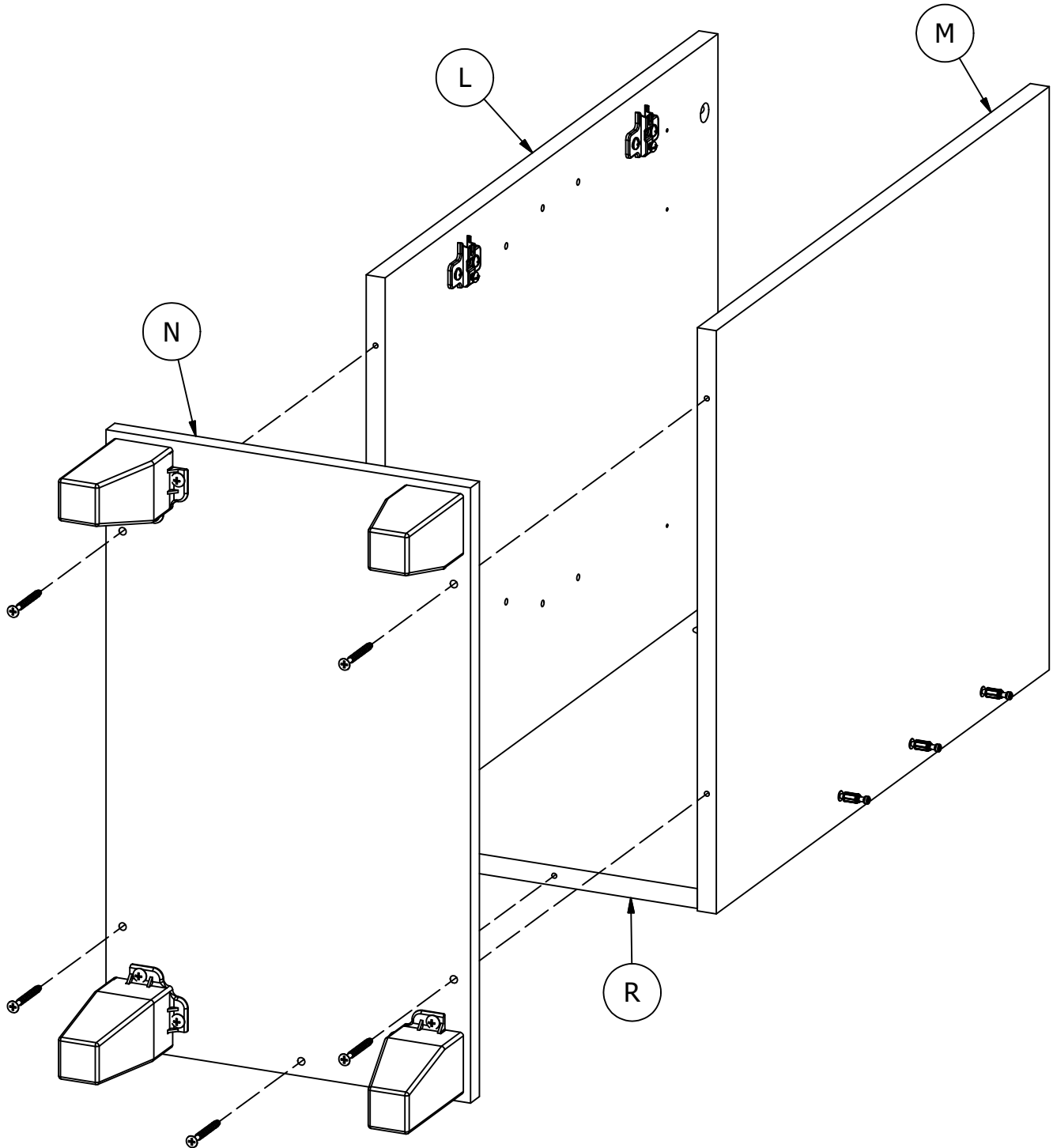
Assemble Panels

H23491




[5]

#10 x 2"

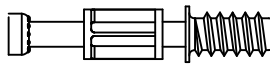


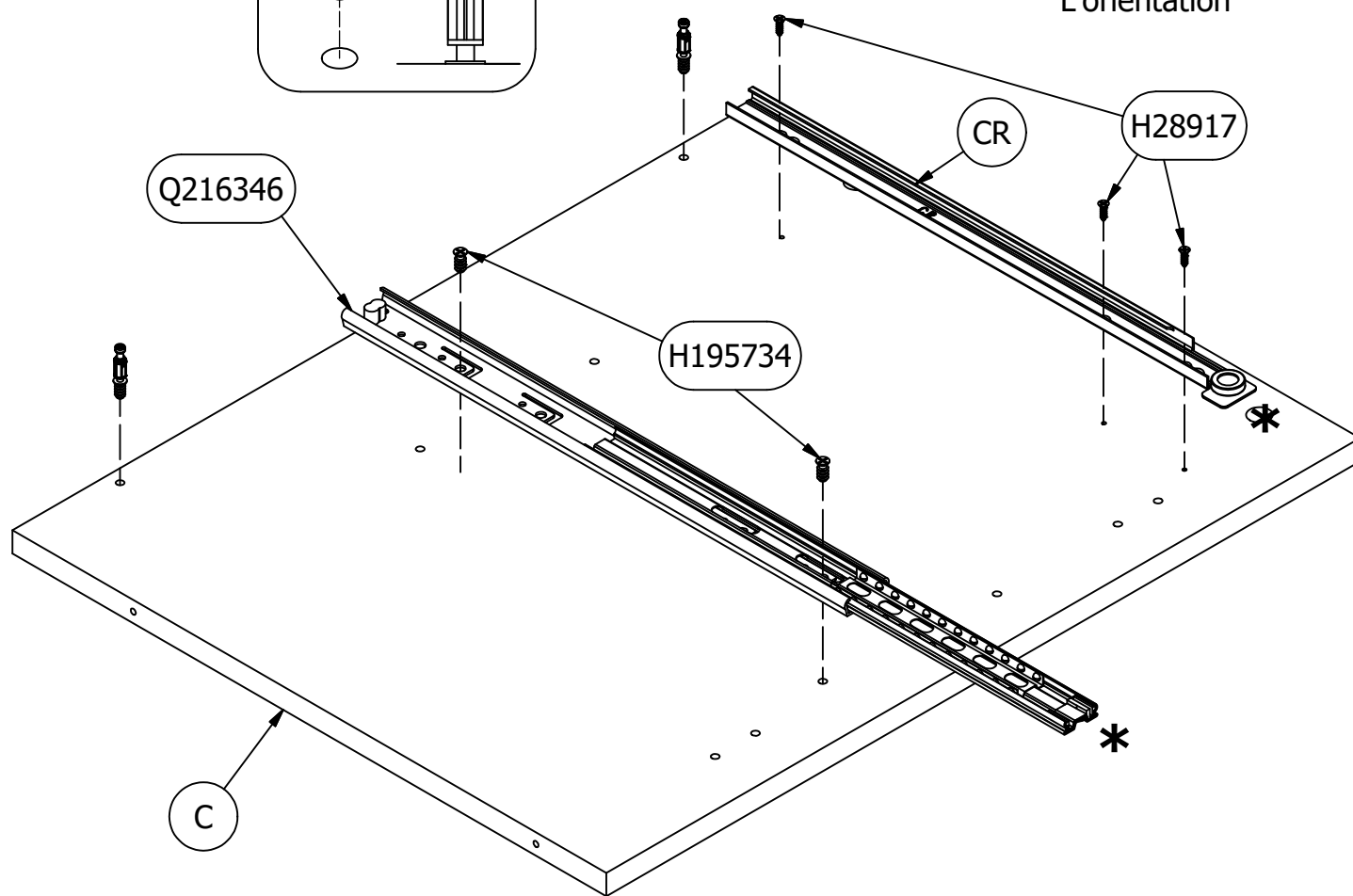
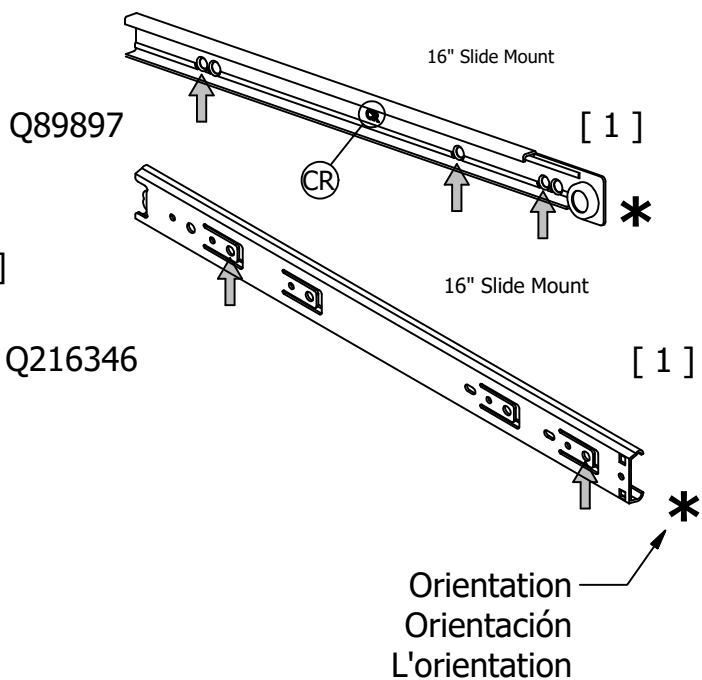
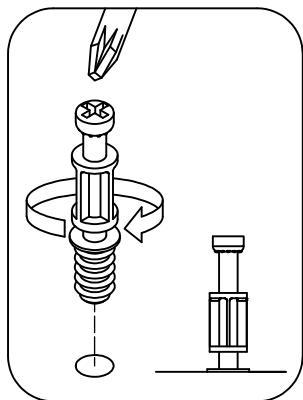
STEP 17

Prepare Panel

H28917  [3]
#6 x 1/2" Silver

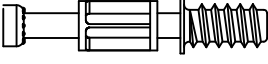
H195734  [2]
M6.3 X 13MM

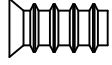
H72988  [2]
KD Bolt

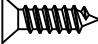


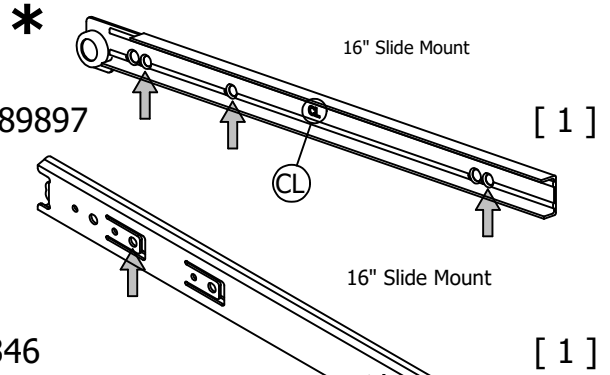
STEP 18

Prepare Panel

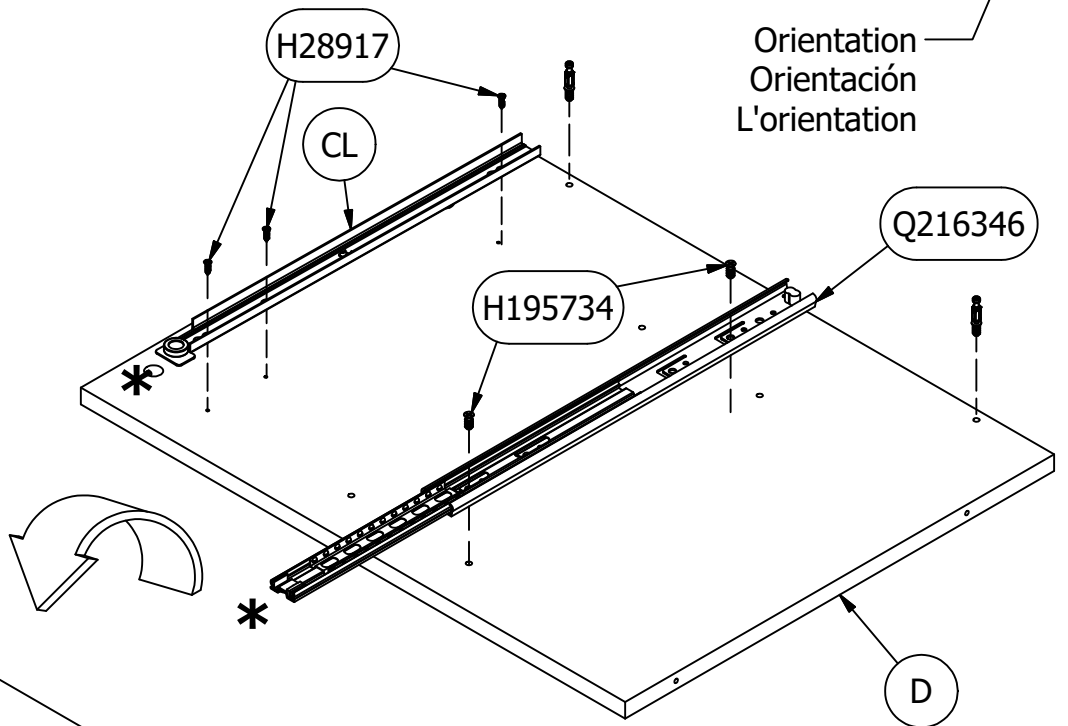
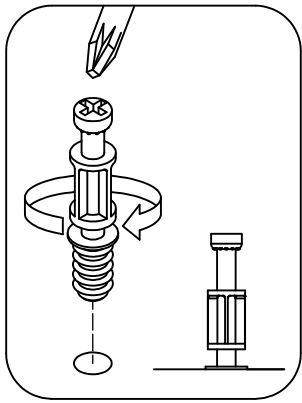
H72988  [5]
KD Bolt

H195734  [2]
M6.3 X 13MM

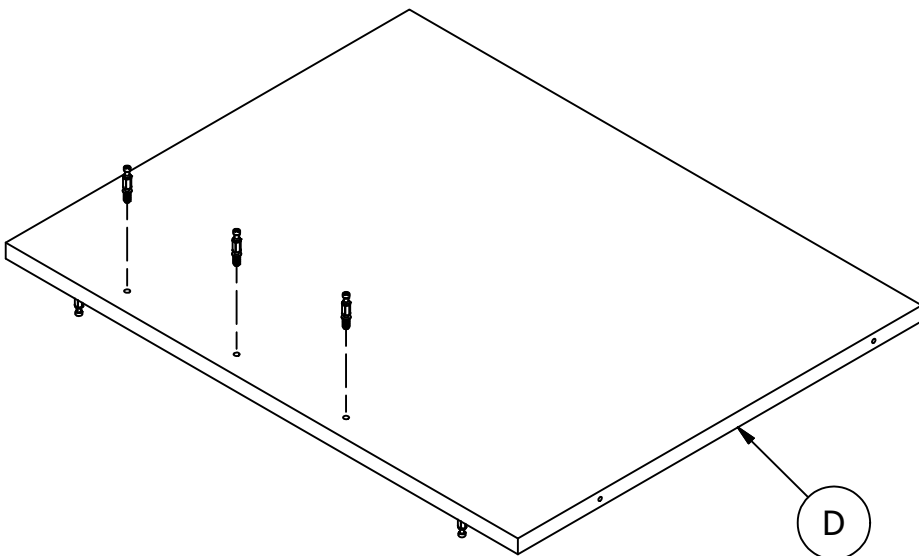
H28917  [3]
#6 x 1/2" Silver



Orientation
Orientación
L'orientation



Flip panel over
Voltear el panel
Retournez le panneau



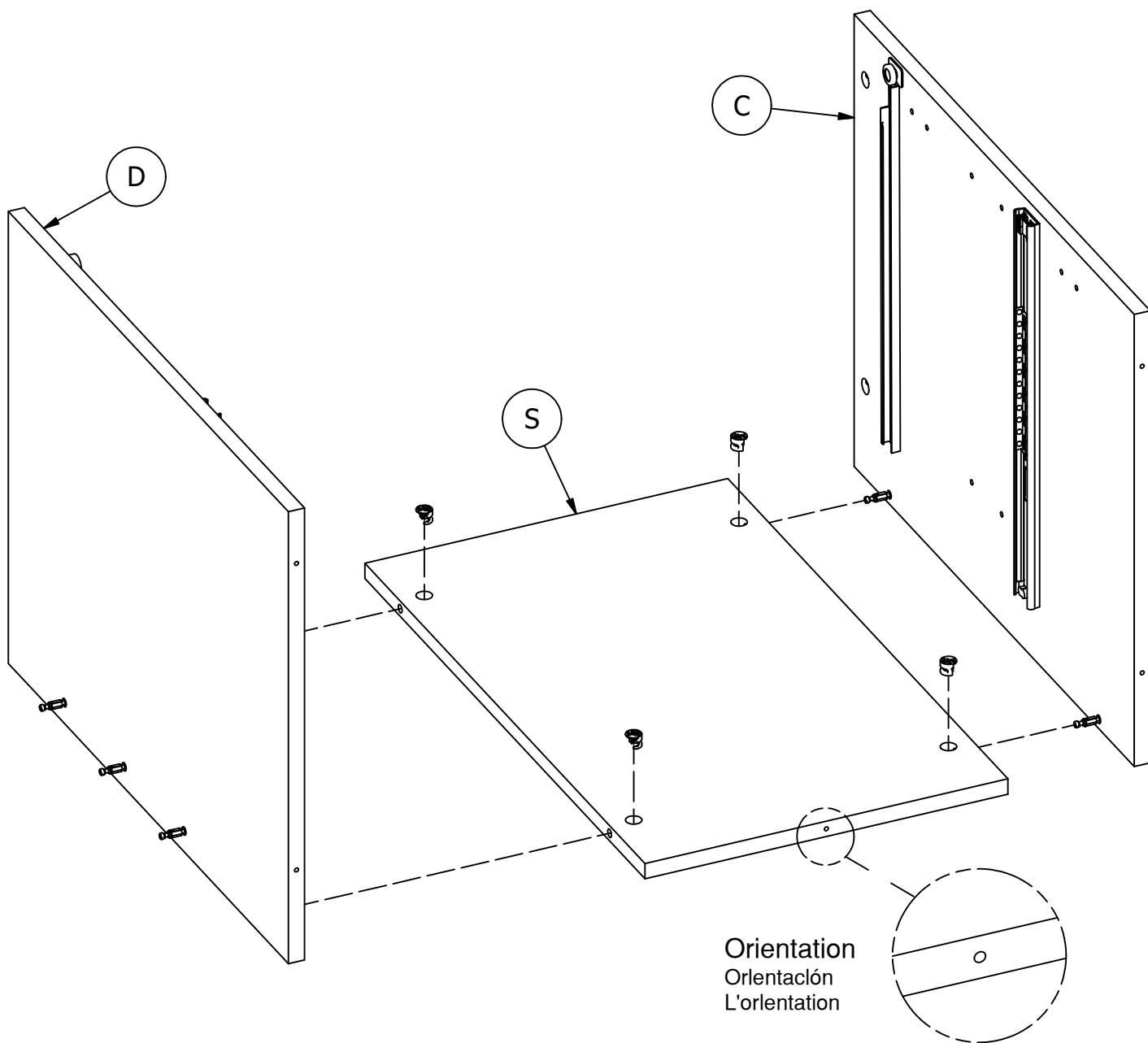
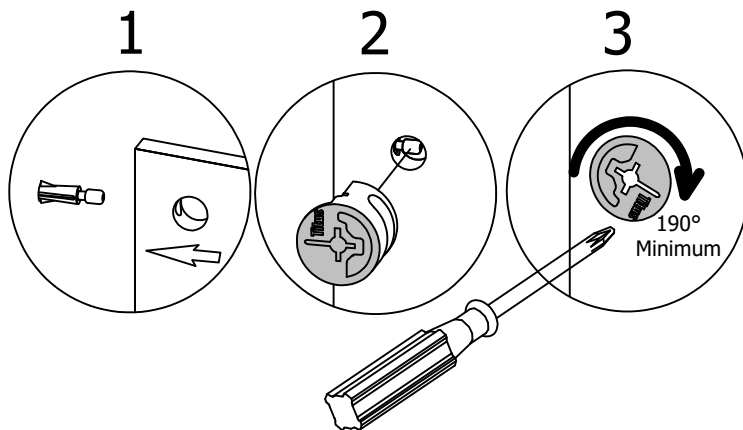
STEP 19

Assemble Panels

H181468US

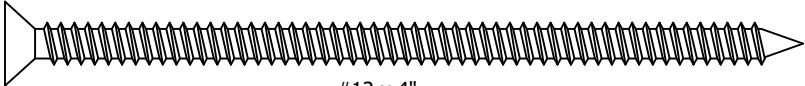


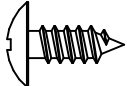
[4]

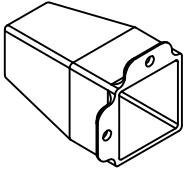


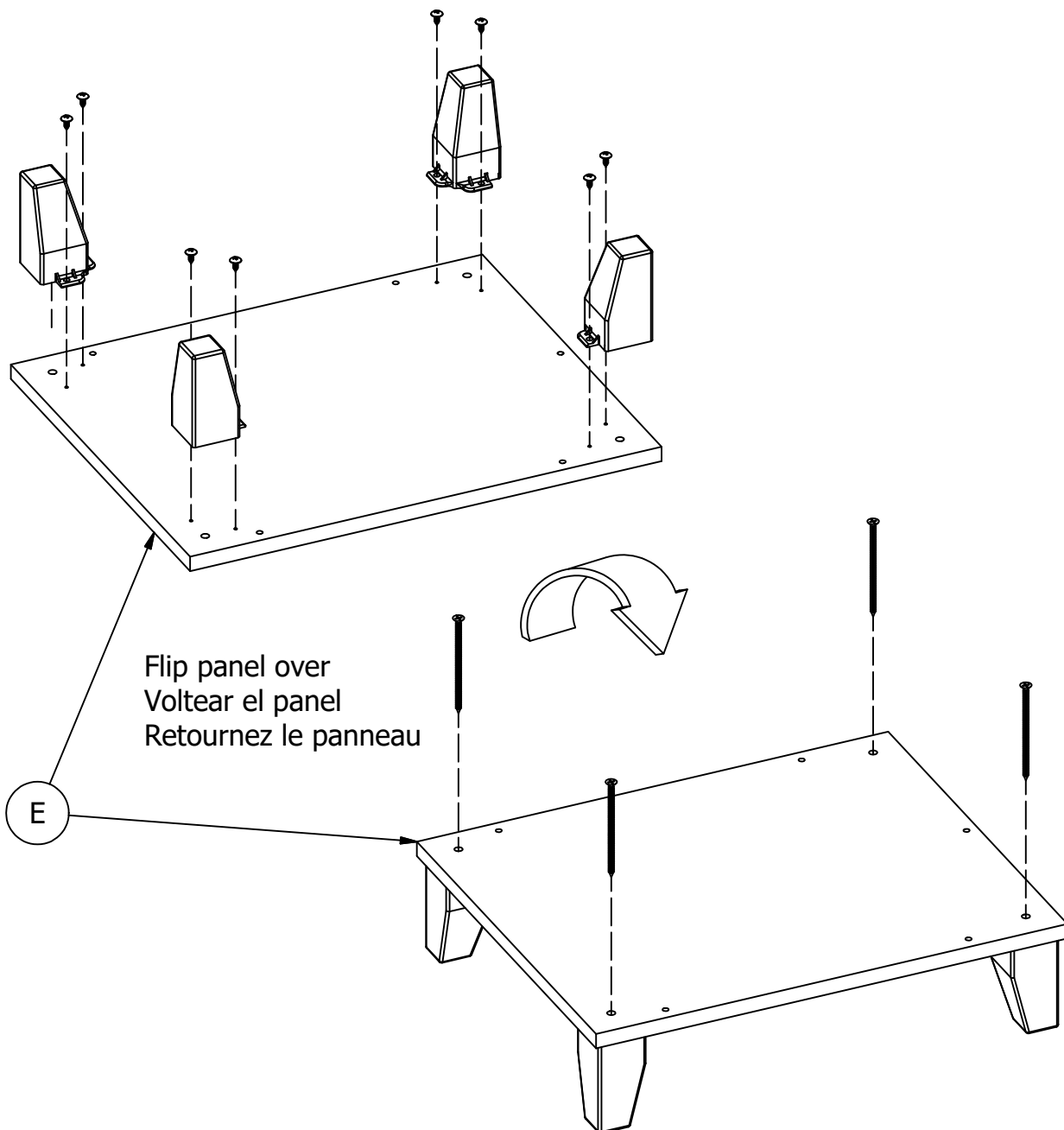
STEP 20

Prepare Panel

H143460  [4]
#12 x 4"

H35251  [8]
#10 x 1/2"

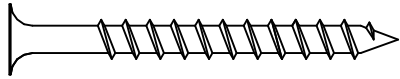
 [4]
Foot



STEP 21

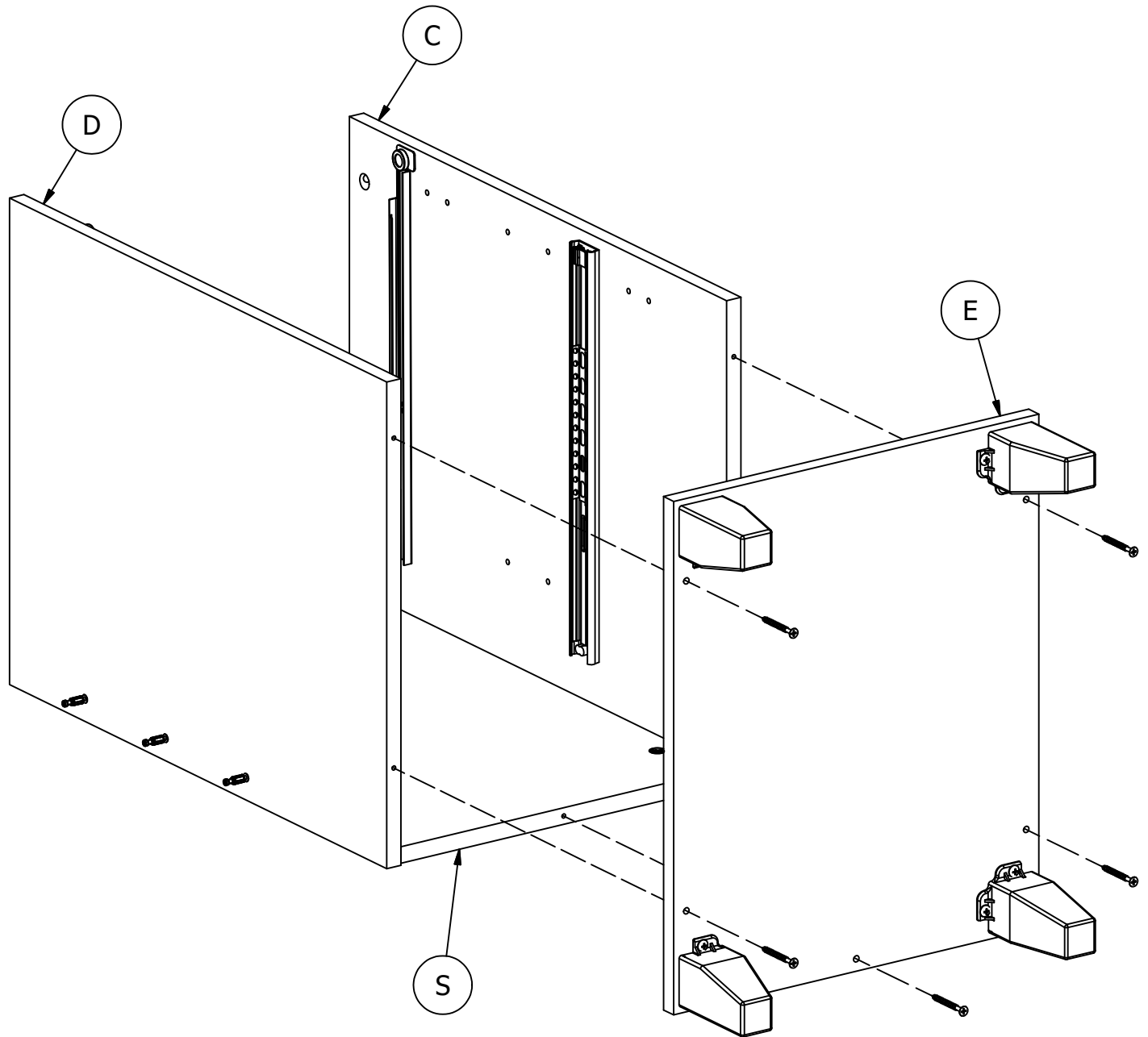
Assemble Panels

H23491



[5]

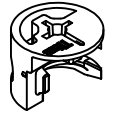
#10 x 2"



STEP 22

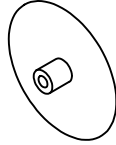
Assemble Panels

H181468US



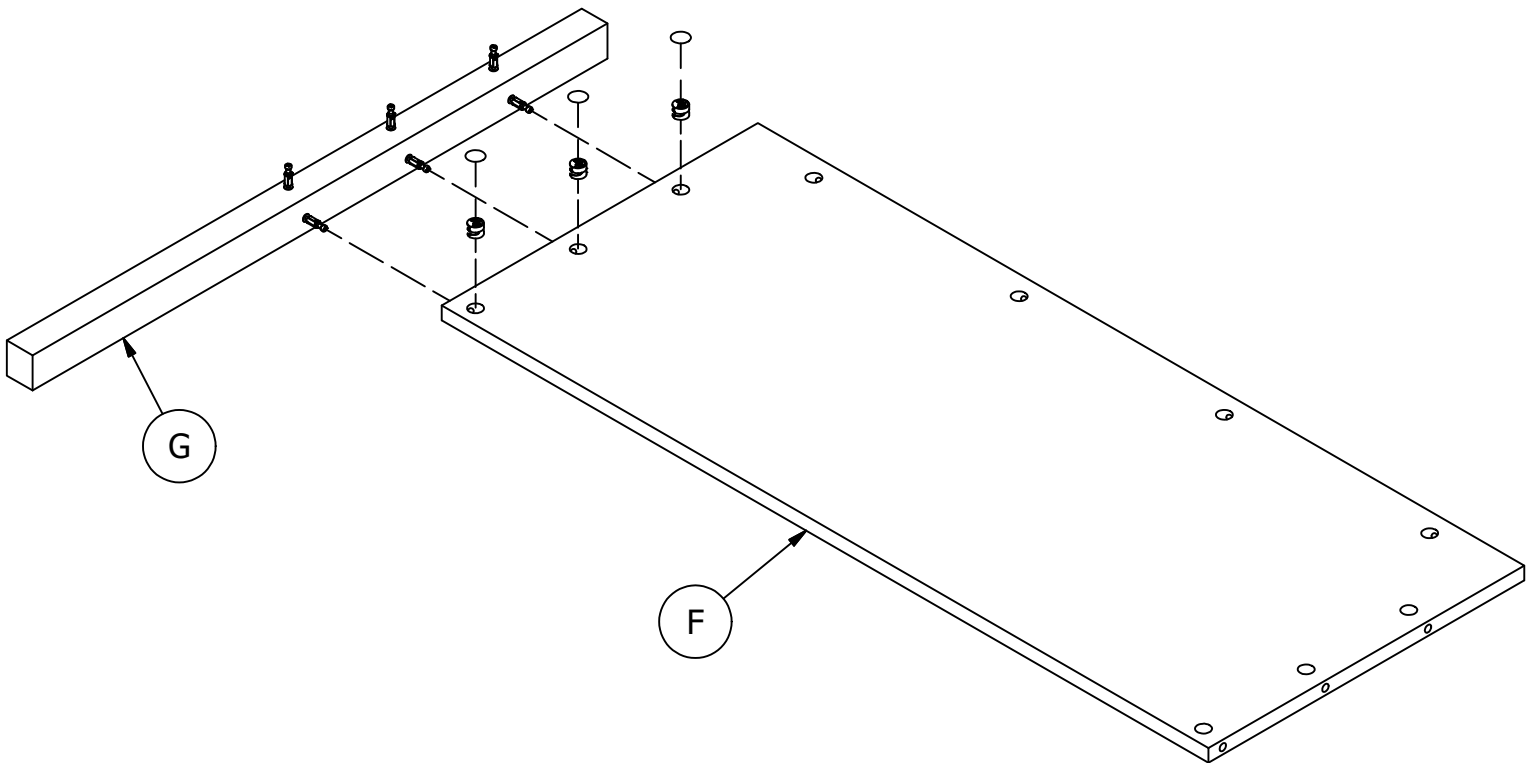
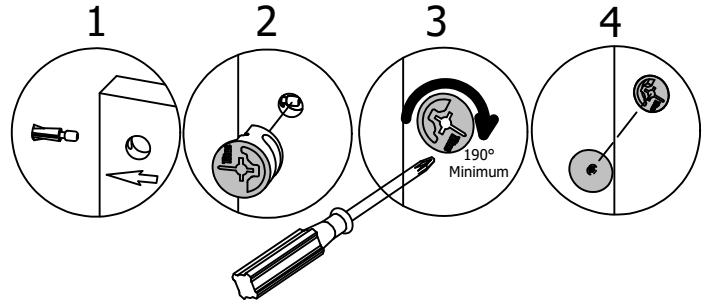
KD Cam3000

[3]



Cover Cap

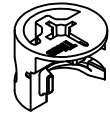
[3]



STEP 23

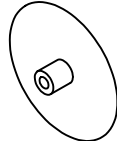
Assemble Panels

H181468US



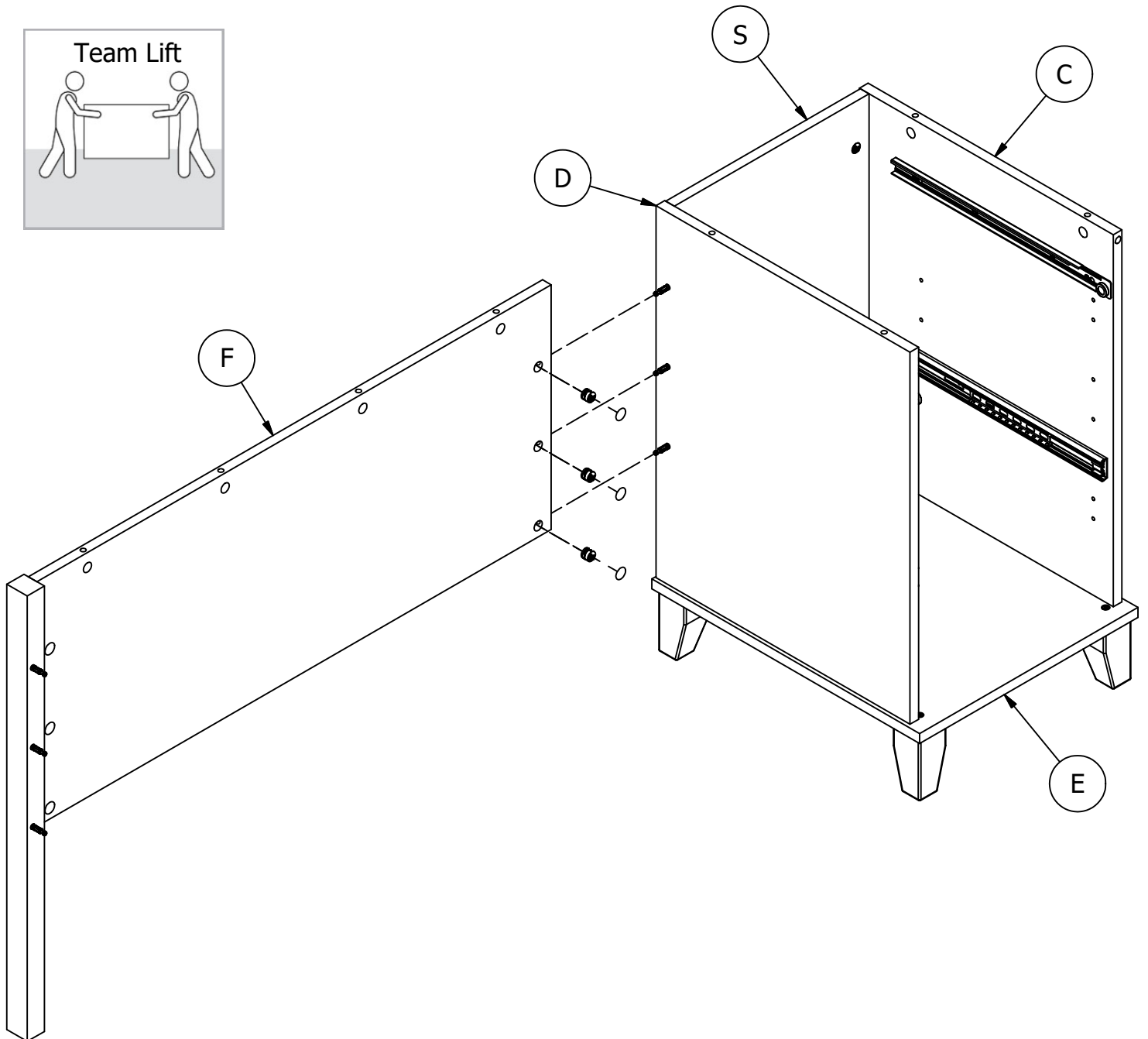
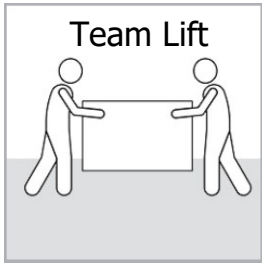
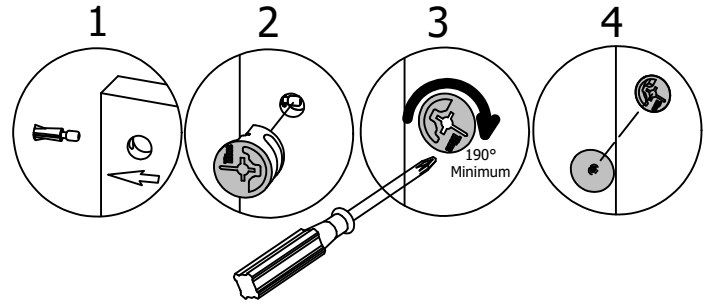
[3]

KD Cam3000



[3]

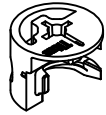
Cover Cap



STEP 24

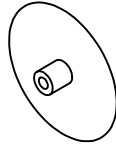
Assemble Panels

H181468US



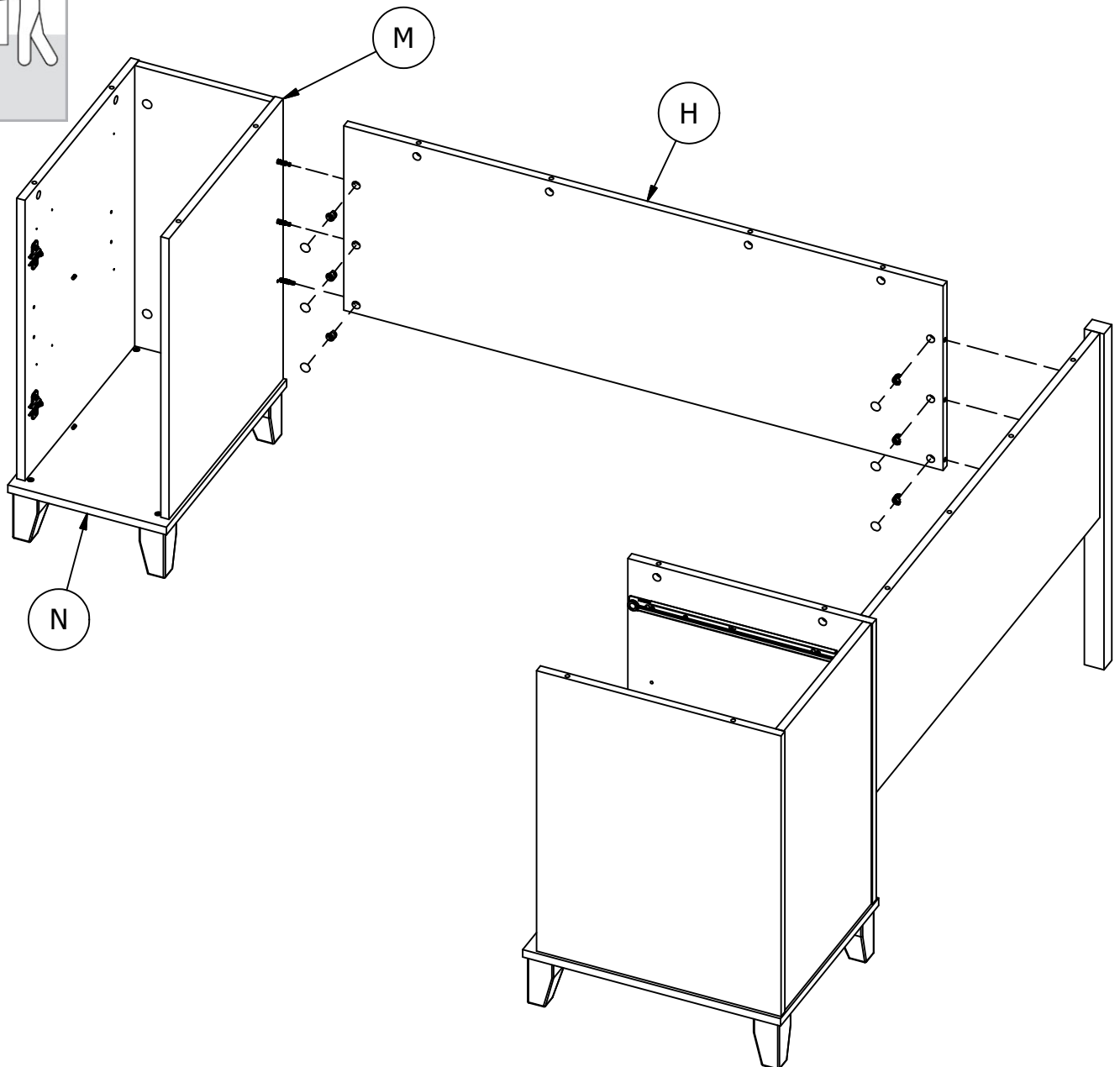
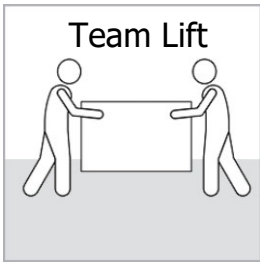
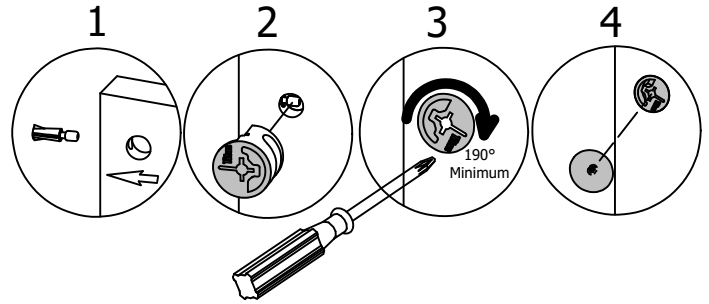
KD Cam3000

[6]



Cover Cap

[6]



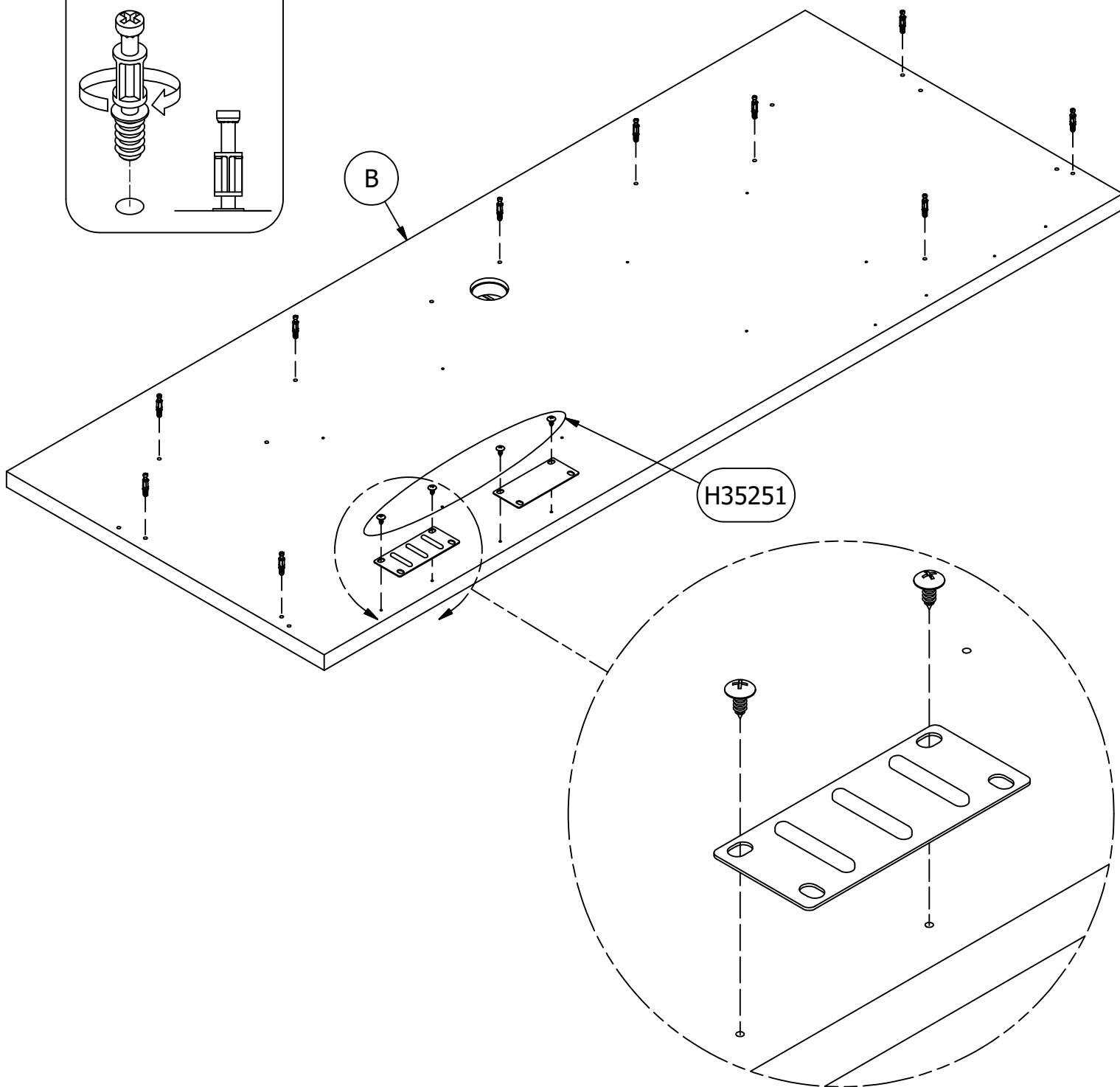
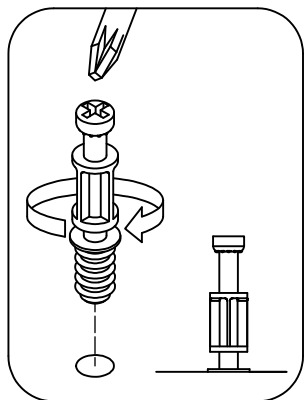
STEP 25

Prepare Panel

H72988 [10]
KD Bolt

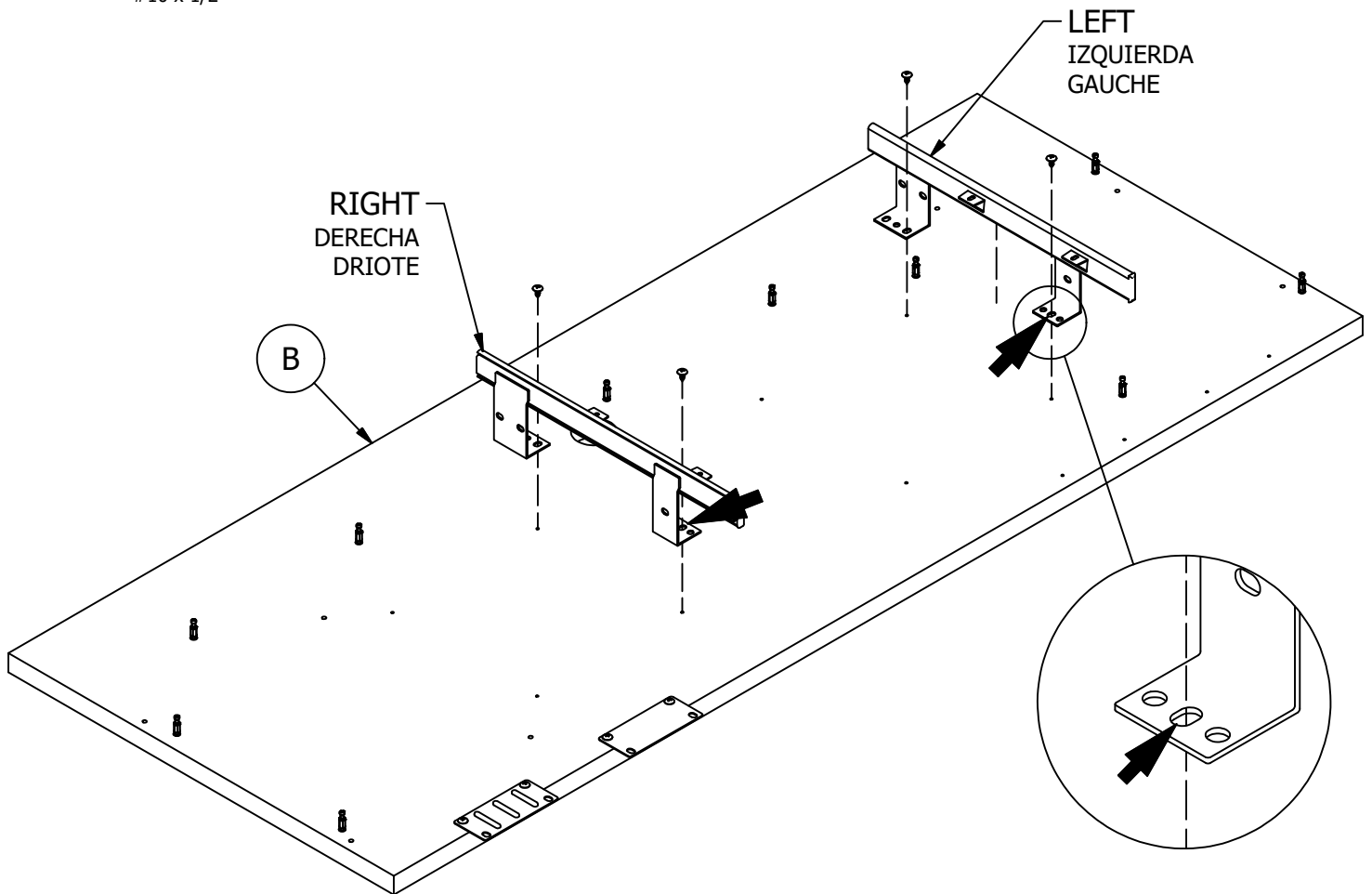
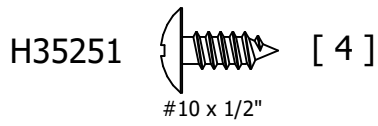
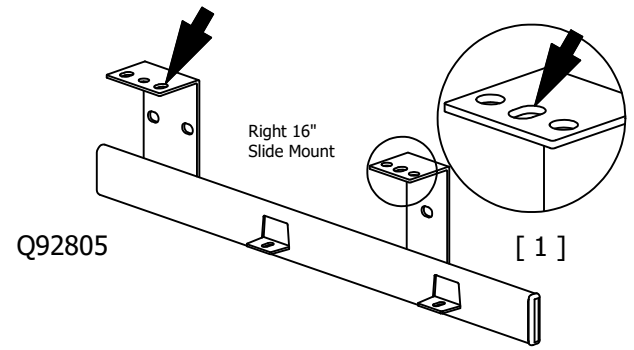
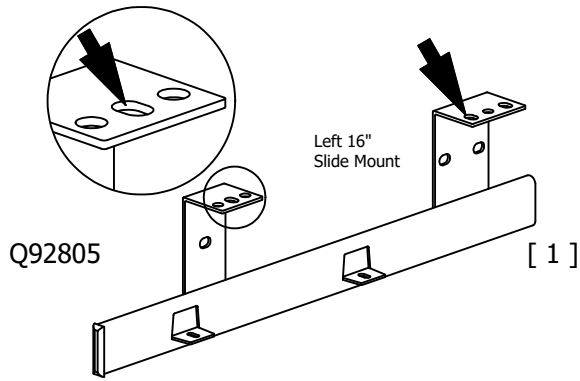
H35251 [4]
#10 x 1/2"

H39922 [2]
Strap



STEP 26

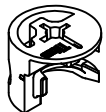
Attach Hardware



STEP 27

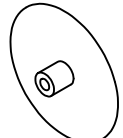
Attach Panel

H181468US



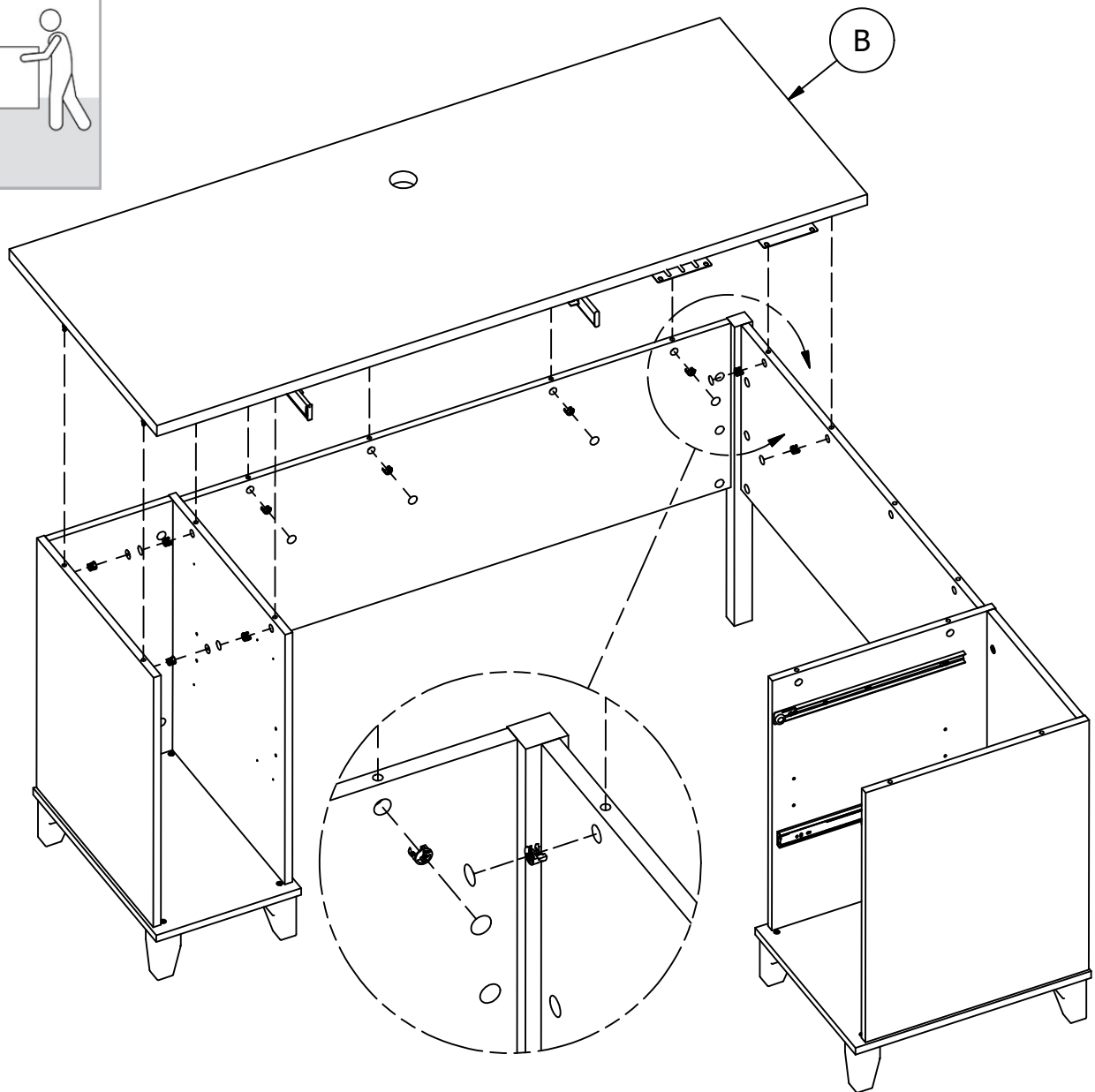
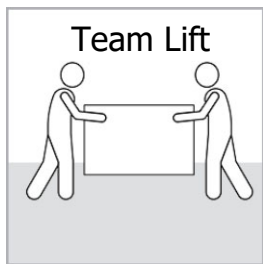
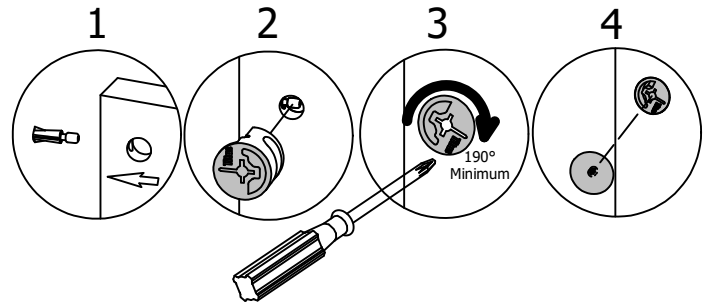
KD Cam3000

[10]



Cover Cap

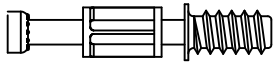
[10]



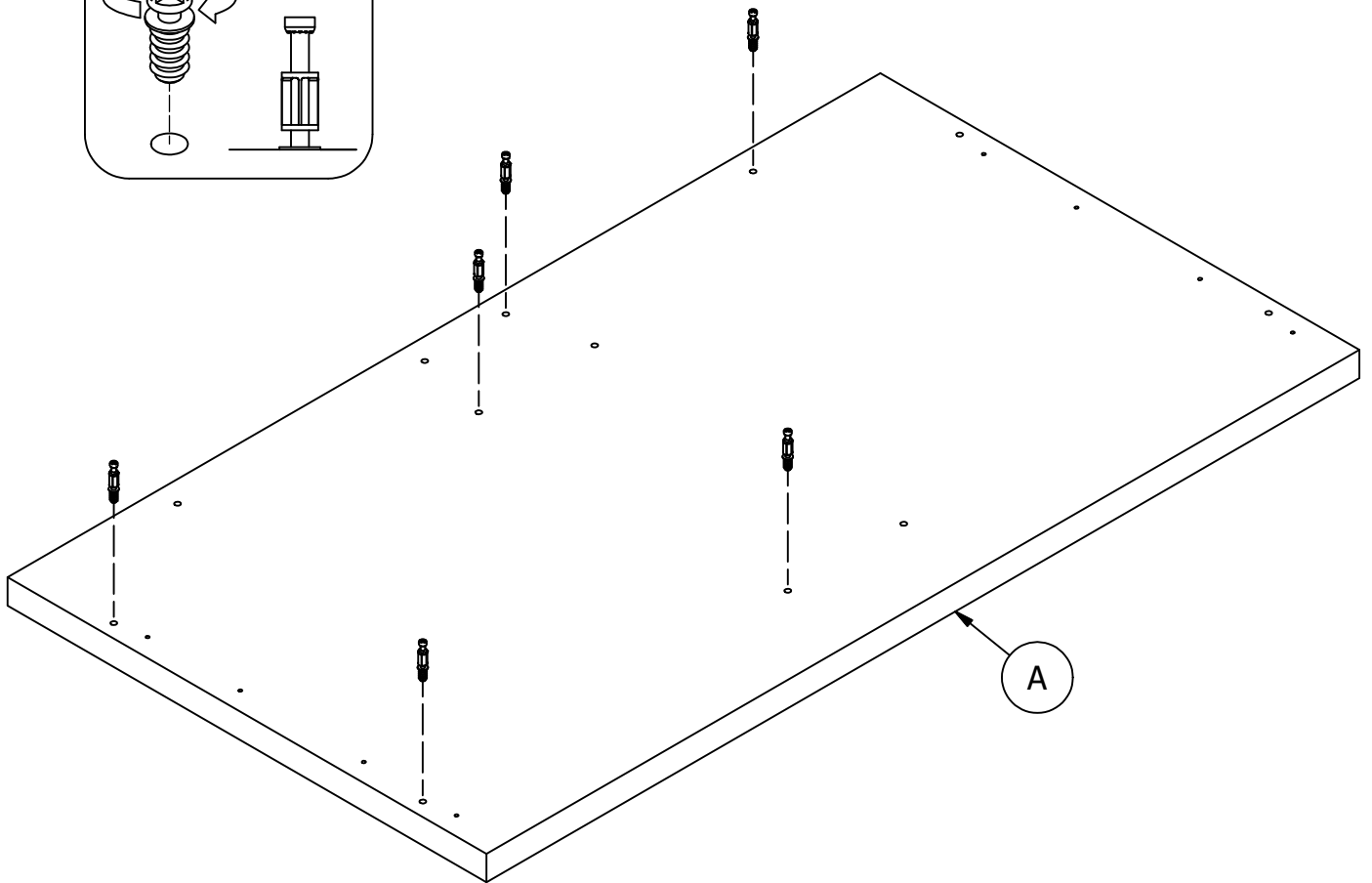
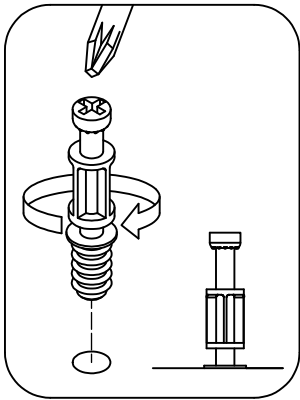
STEP 28

Prepare Panel

H72988 [6]



KD Bolt



STEP 29

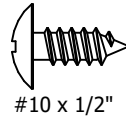
Attach Panel

H181468US

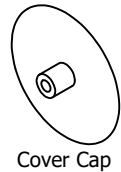


[6]

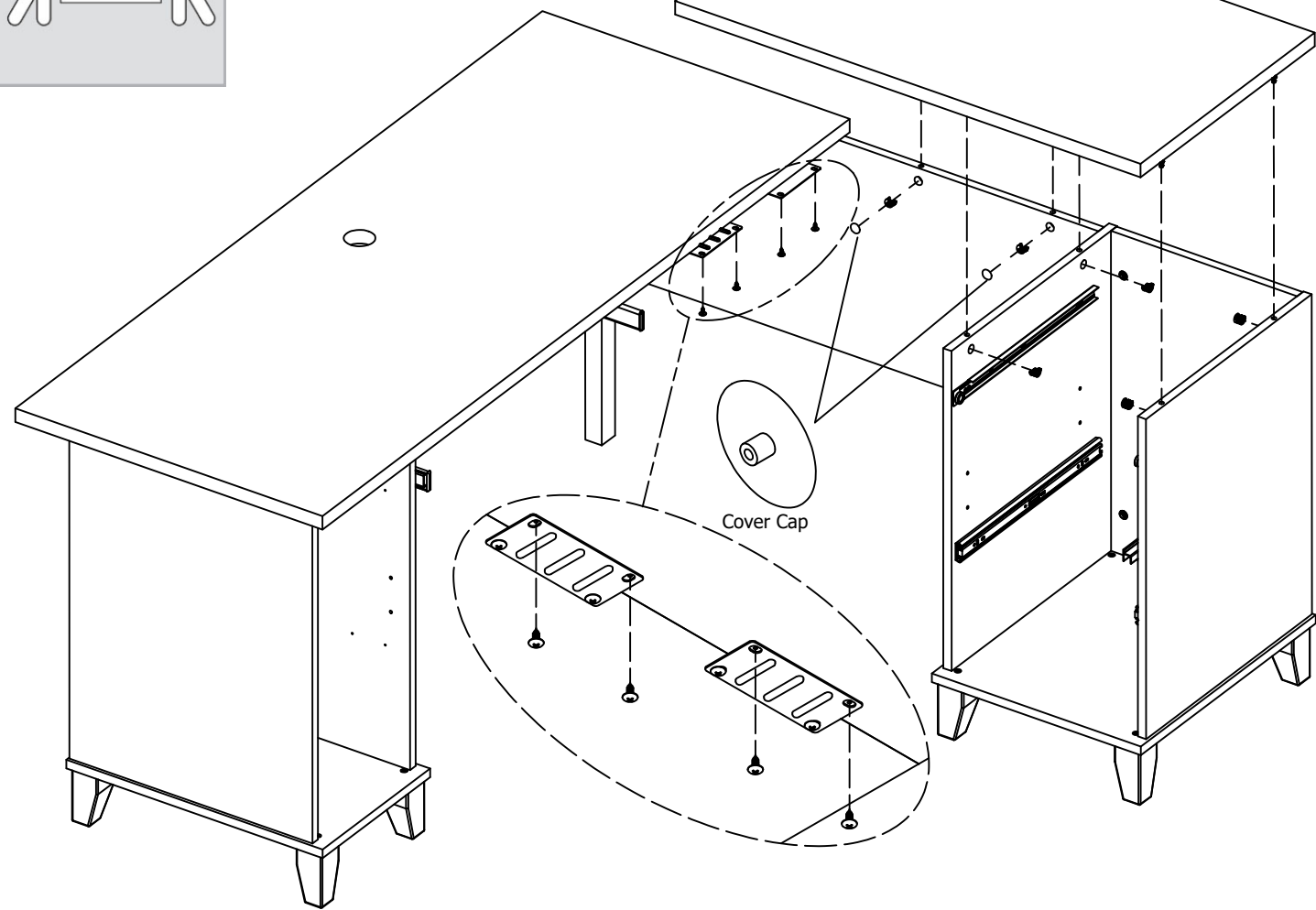
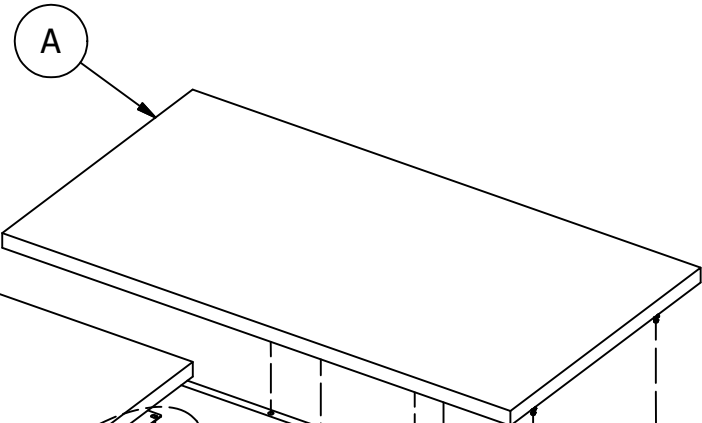
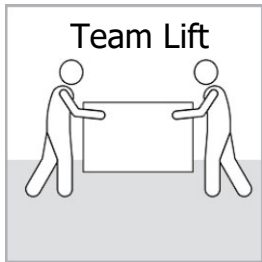
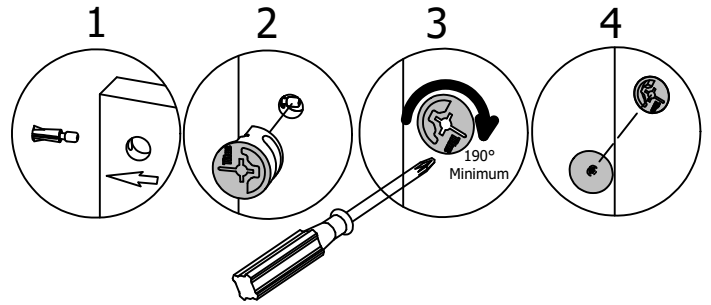
H35251



[4]



[2]



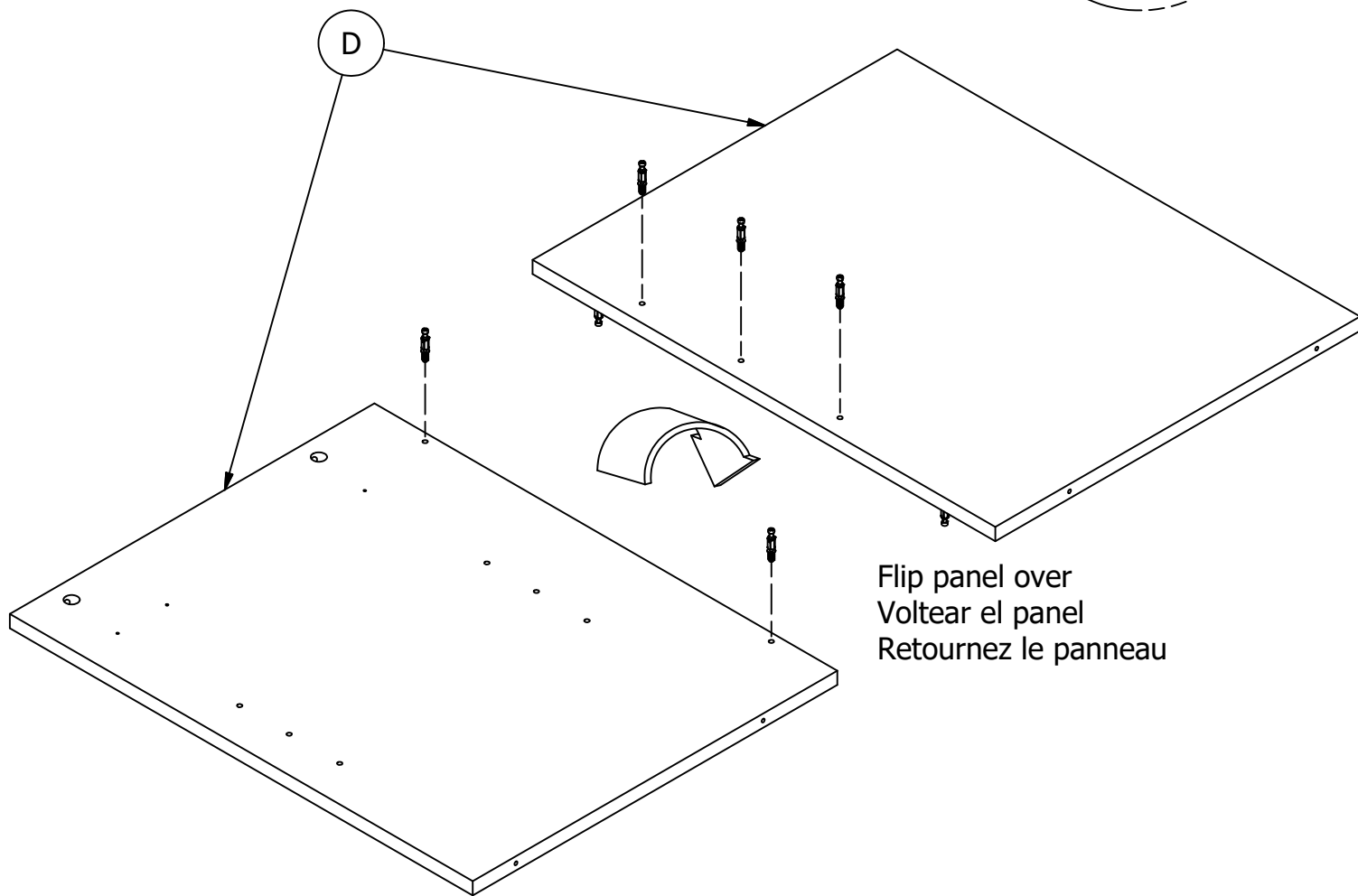
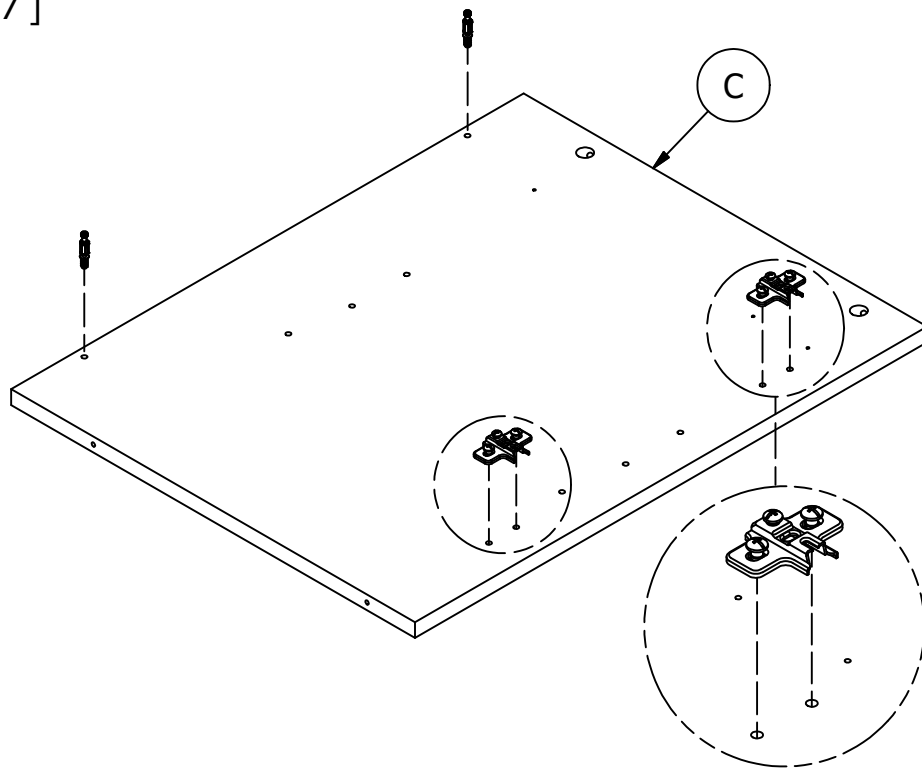
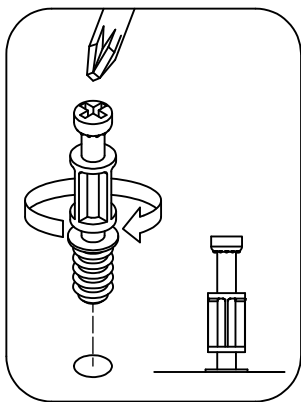
Go to Step 47 to finish Assembly.
Vaya al paso 47 para terminar el ensamblaje.
Passez à l'étape 47 pour terminer l'assemblage.

STEP 30

Prepare Panels

H72988 [7]
KD Bolt

H126364 [2]
Mounting Plate

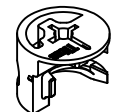


Flip panel over
Voltear el panel
Retournez le panneau

STEP 31

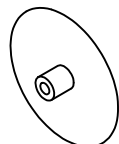
Assemble Panels

H181468US



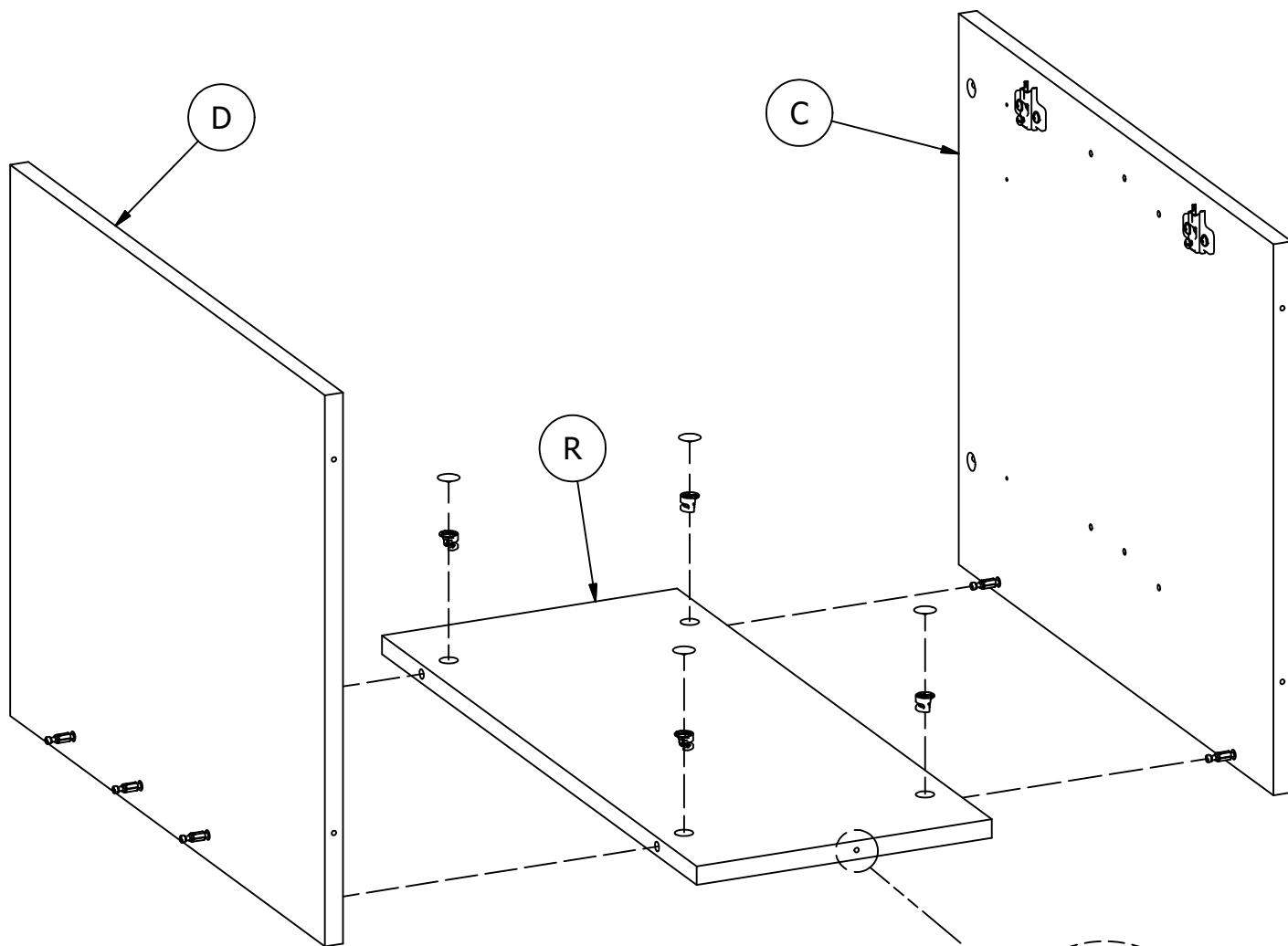
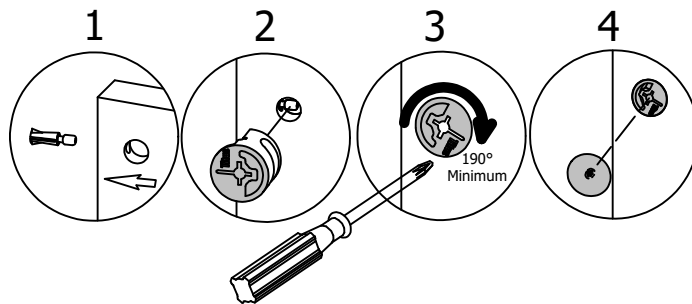
KD Cam3000

[4]

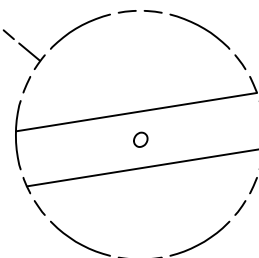


Cover Cap

[4]



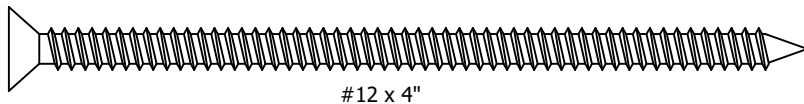
Orientation
Orientación
L'orientation



STEP 32

Prepare Panel

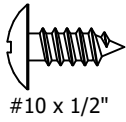
H143460



[4]

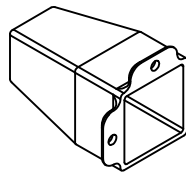
#12 x 4"

H35251



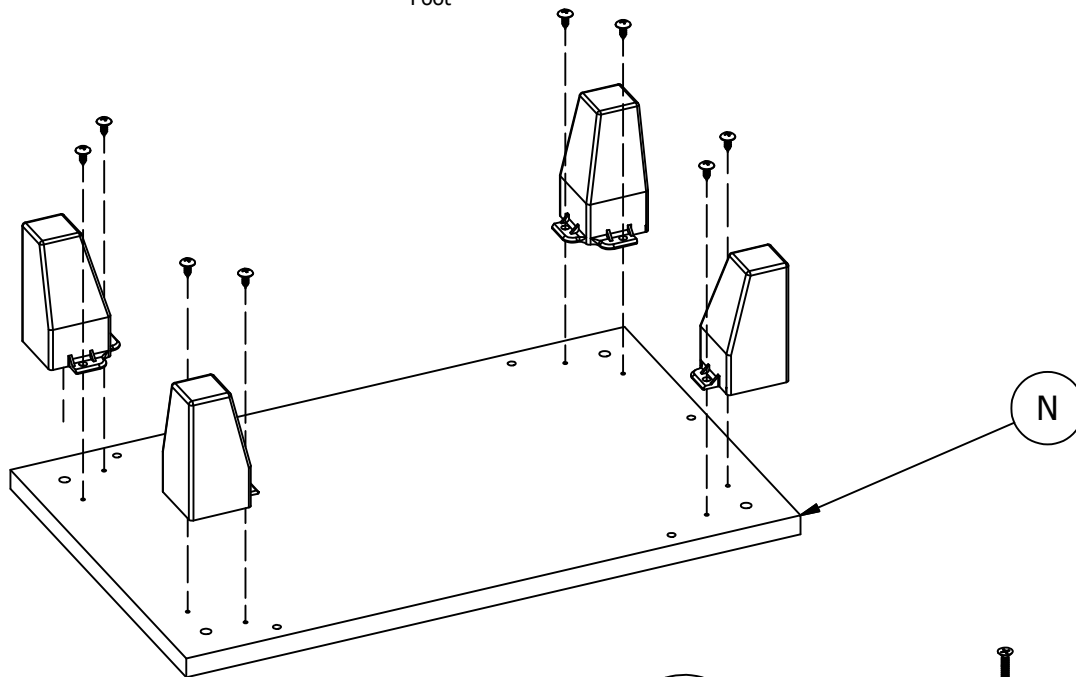
[8]

#10 x 1/2"

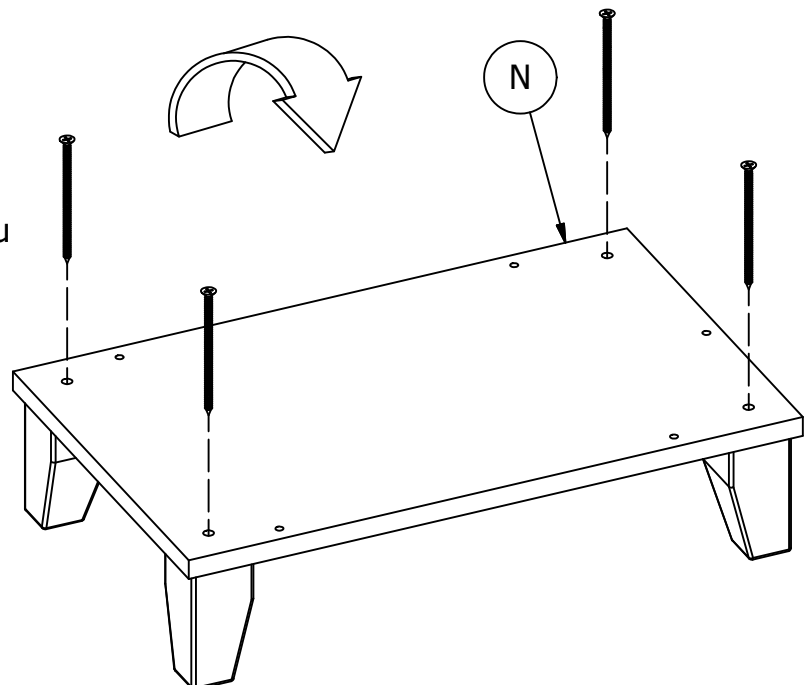


[4]

Foot



Flip panel over
Voltear el panel
Retournez le panneau



STEP 33

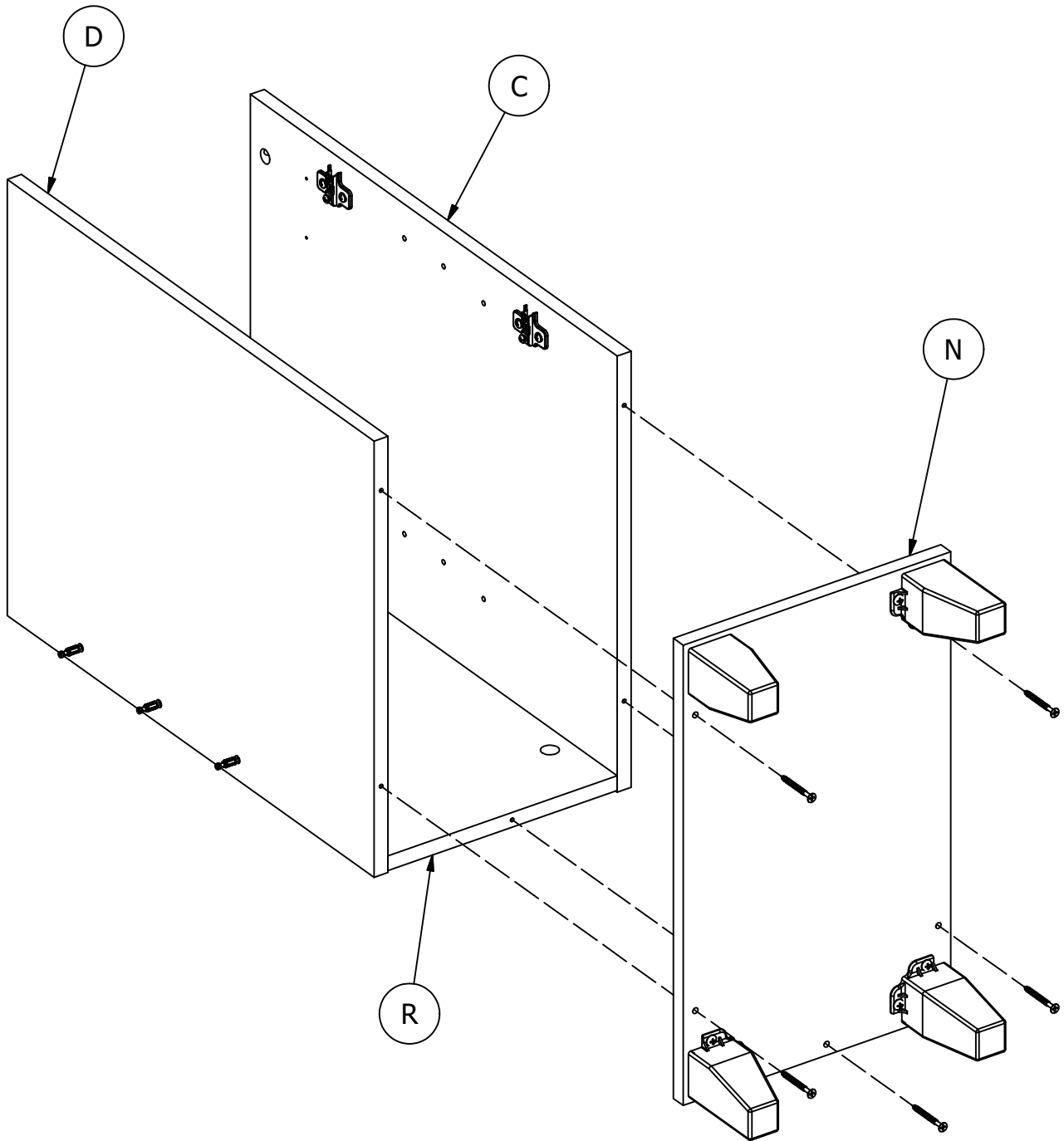
Assemble Panels

H23491




[5]


#10 x 2"




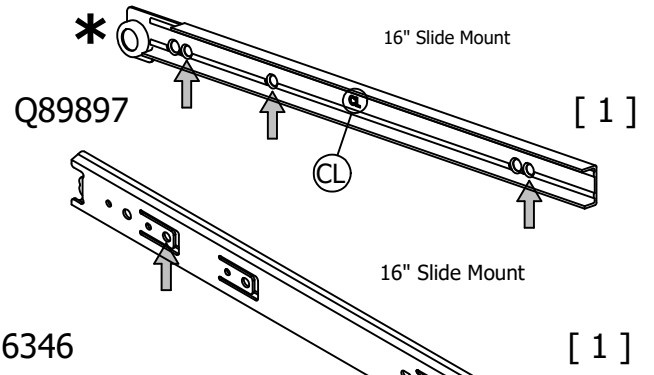
STEP 34

Prepare Panel

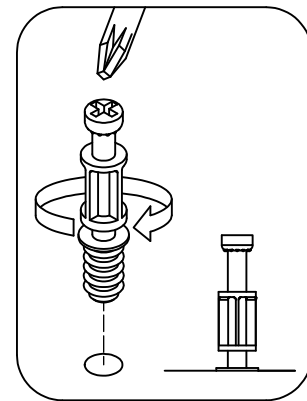
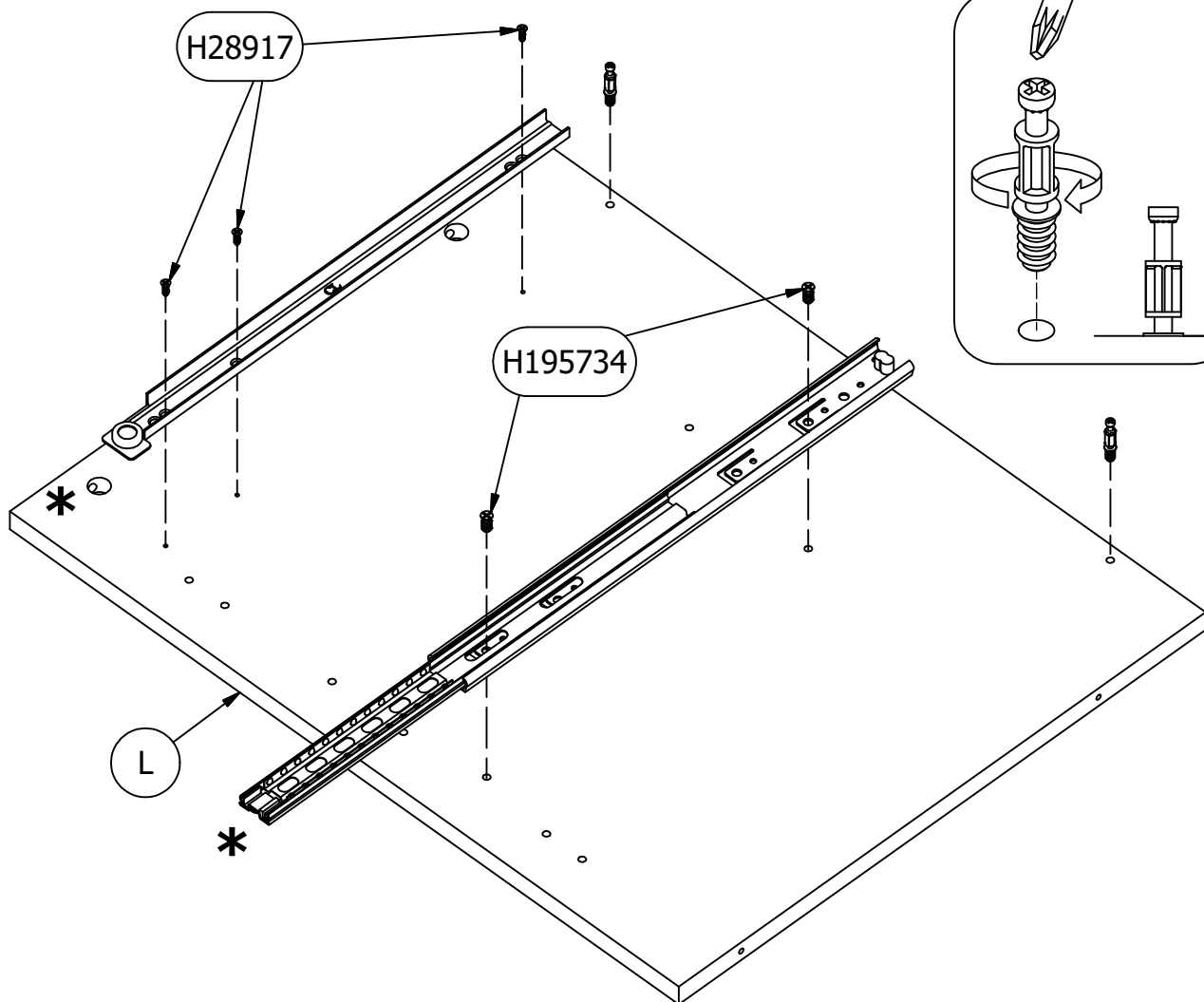
H72988  [2]
KD Bolt

H28917  [3]
#6 x 1/2" Silver

H195734  [2]
M6.3 X 13MM





Orientation
Orientación
L'orientation

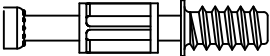


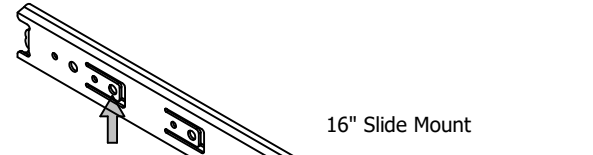
STEP 35

Prepare Panel

H28917  [3]
#6 x 1/2" Silver

H195734  [2]
M6.3 X 13MM

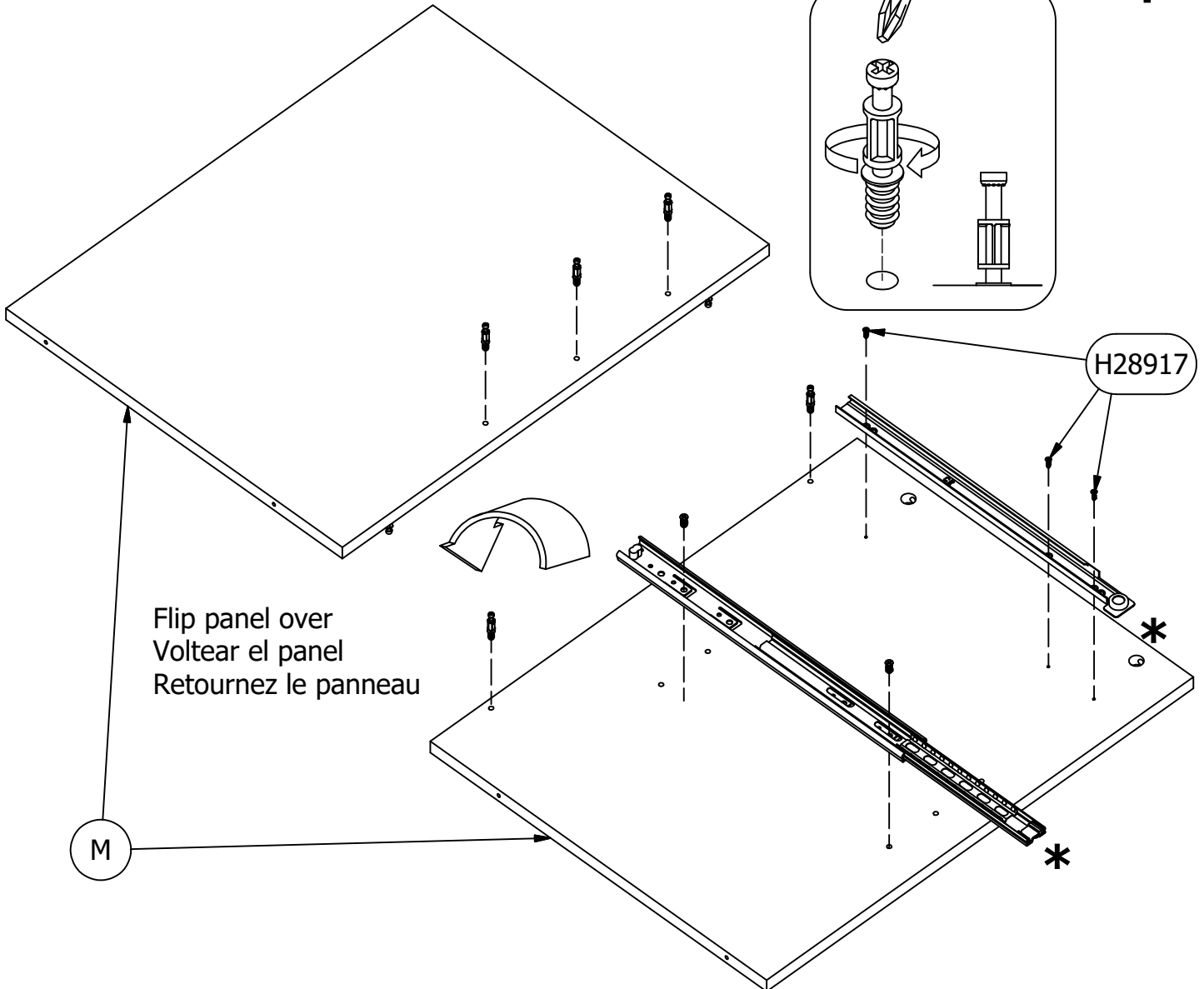
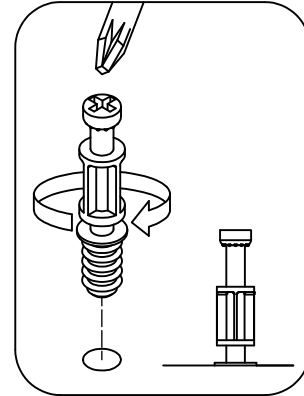
H72988  [5]
KD Bolt



Q216346 [1]



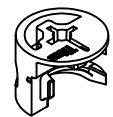
Q89897 [1]



STEP 36

Assemble Panels

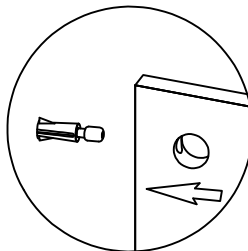
H181468US



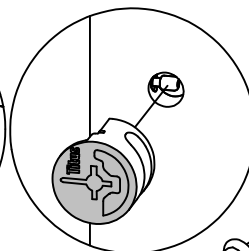
KD Cam3000

[4]

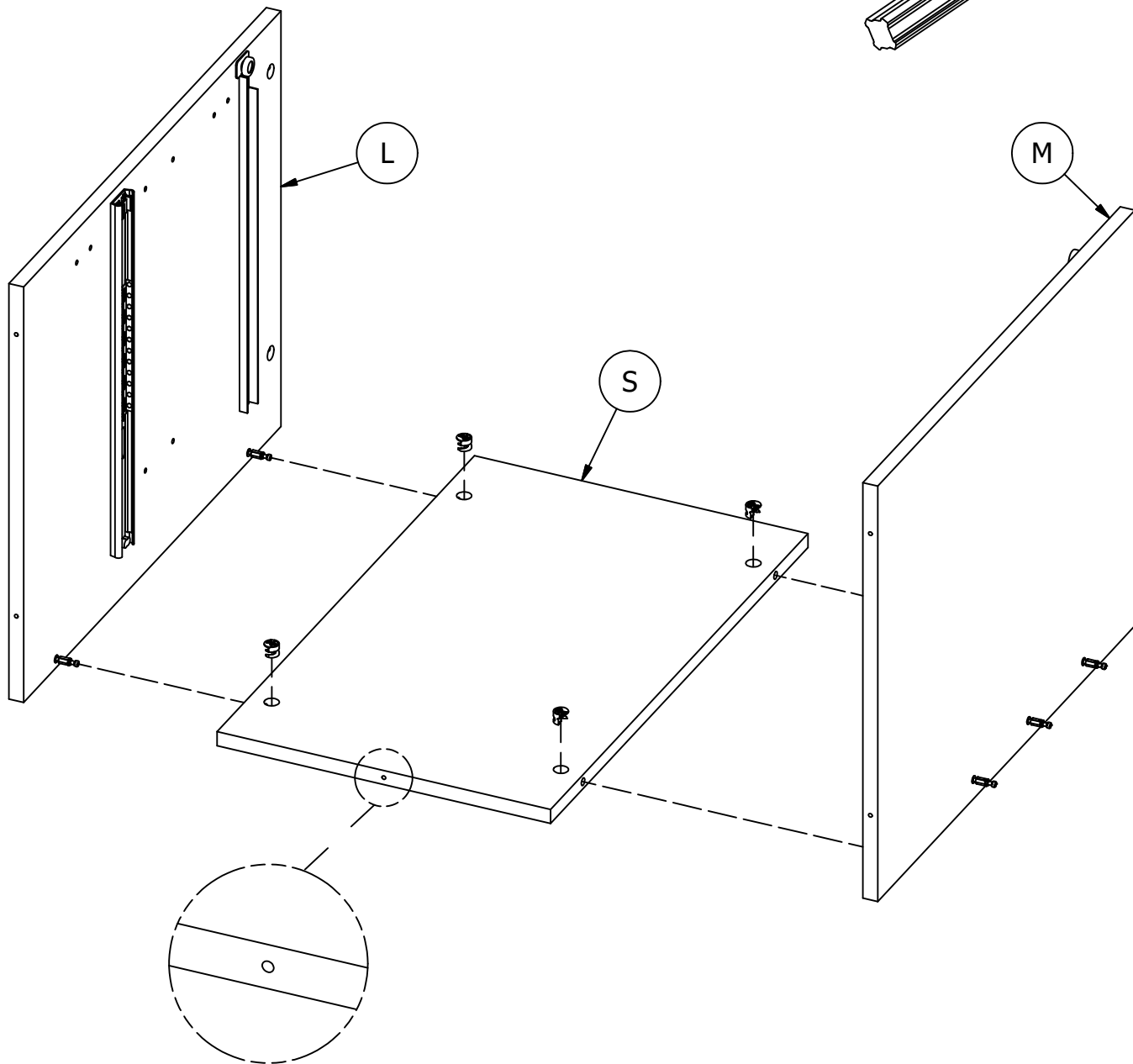
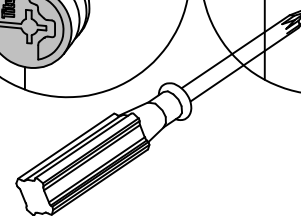
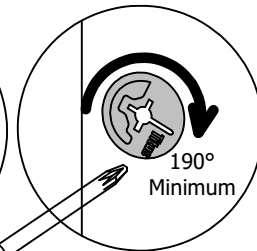
1



2



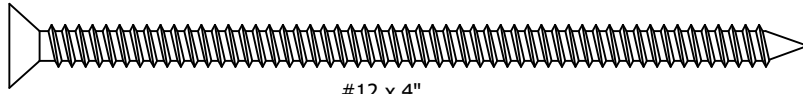
3



STEP 37

Prepare Panel

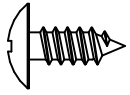
H143460



[4]

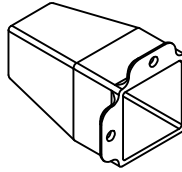
#12 x 4"

H35251



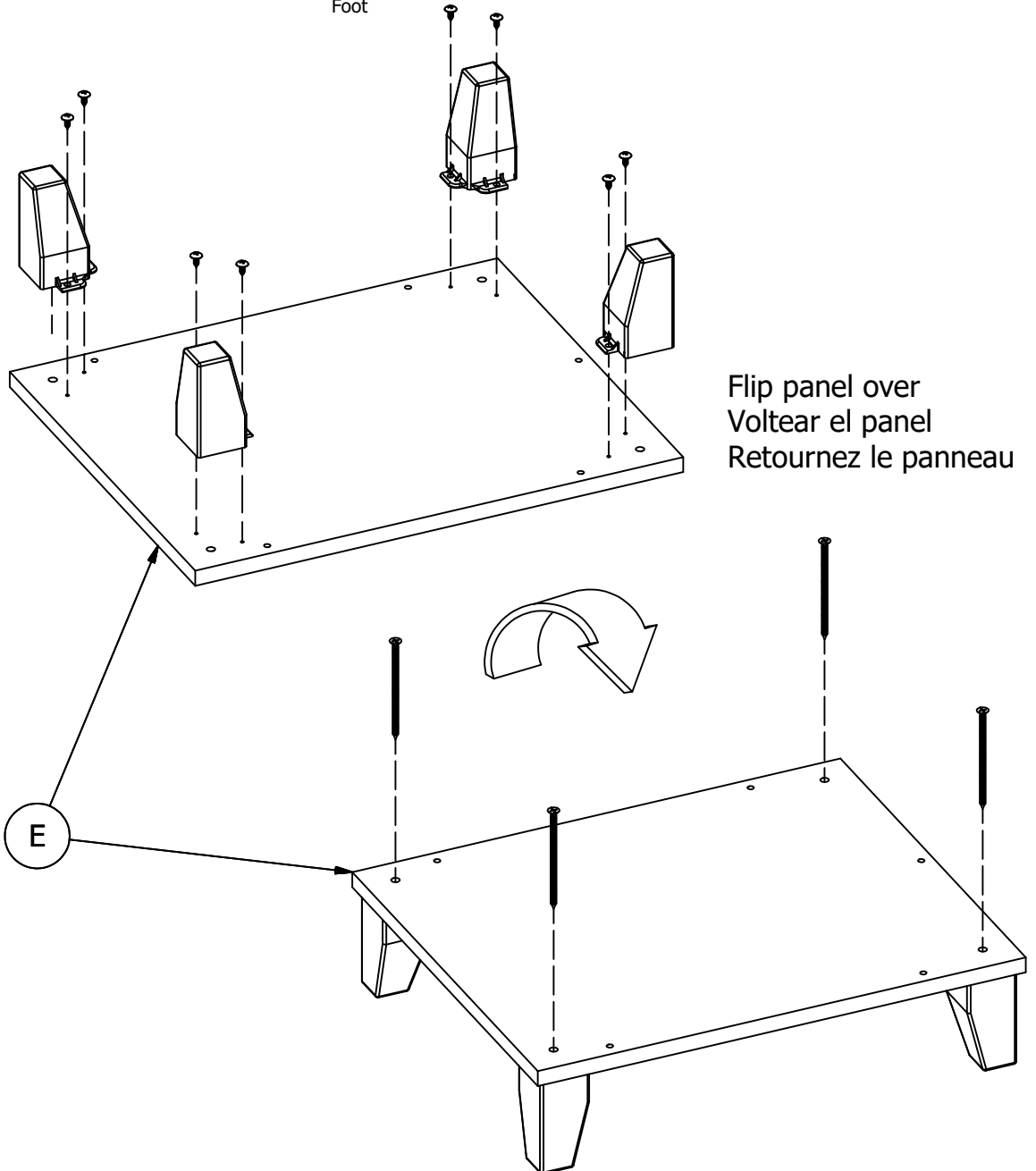
[8]

#10 x 1/2"



[4]

Foot

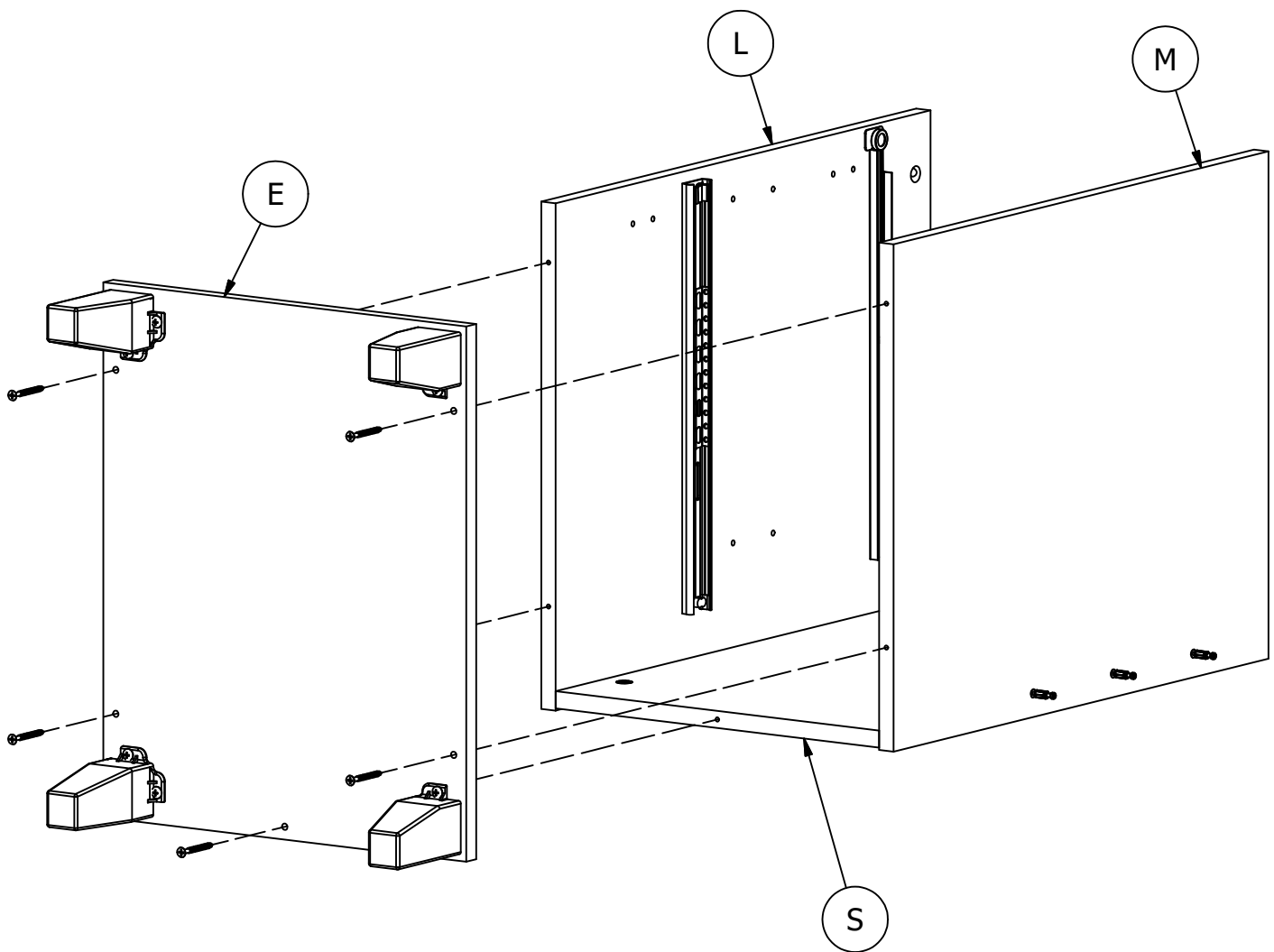


Flip panel over
Voltear el panel
Retournez le panneau

STEP 38

Assemble Panels

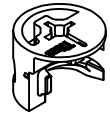
H23491 [5]
#10 x 2"



STEP 39

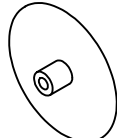
Assemble Panels

H181468US



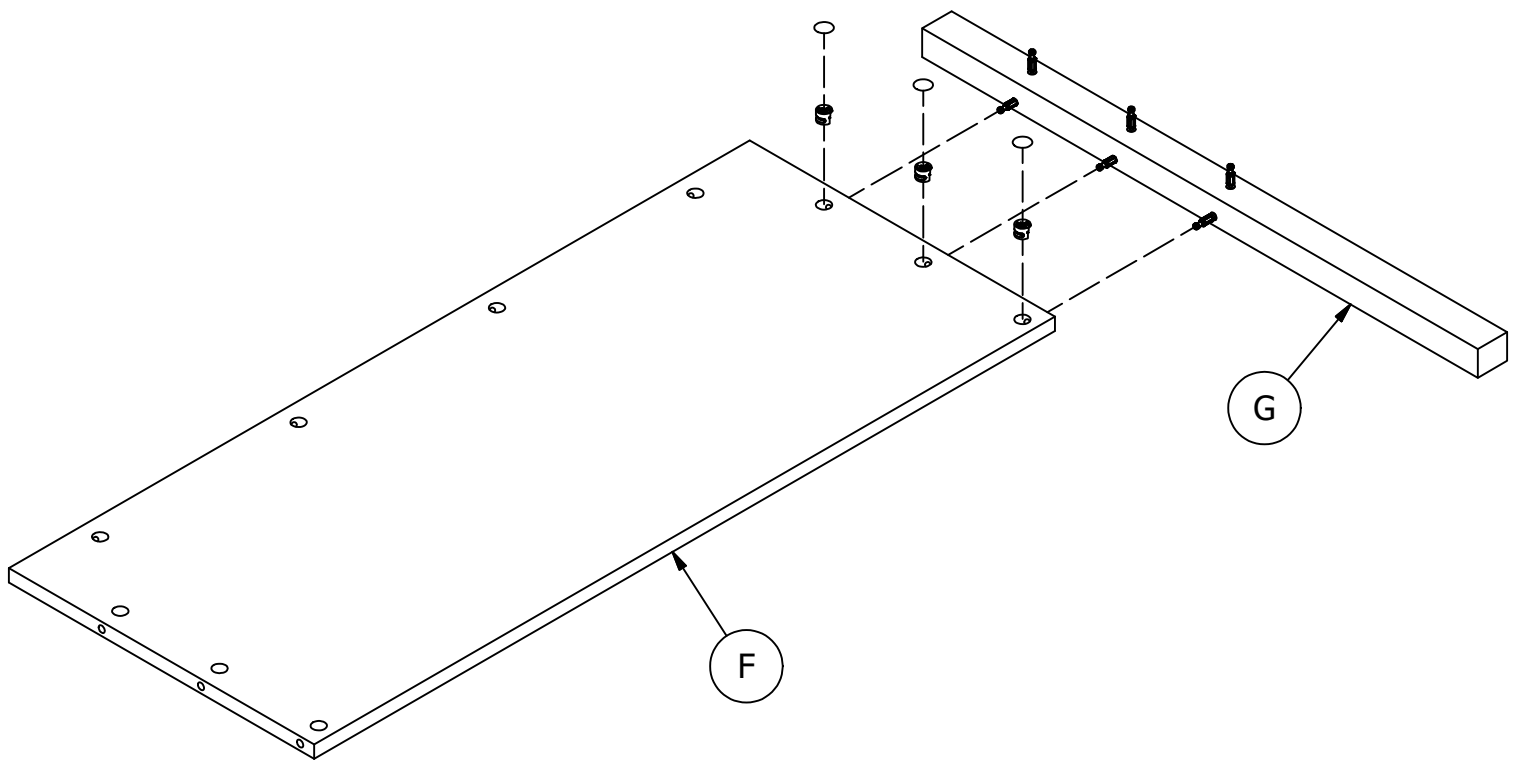
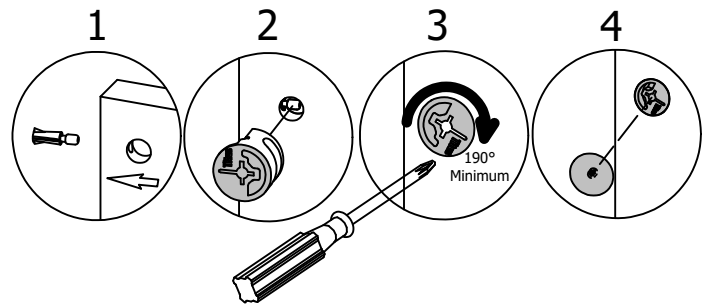
[3]

KD Cam3000



[3]

Cover Cap



STEP 40

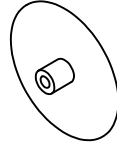
Assemble Panels

H181468US



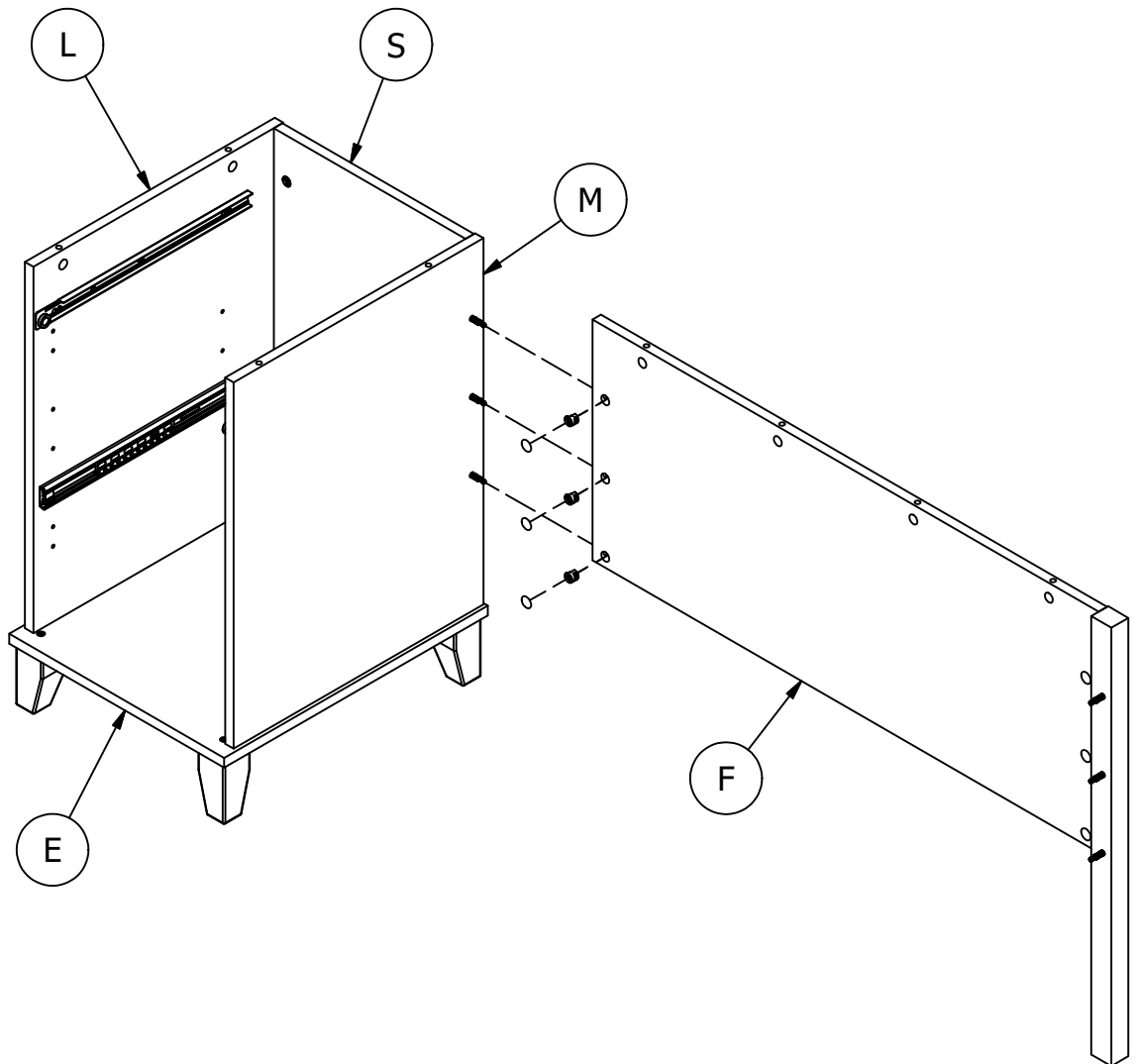
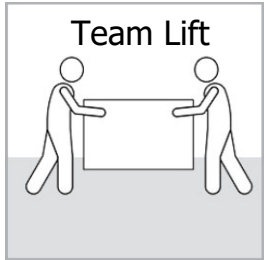
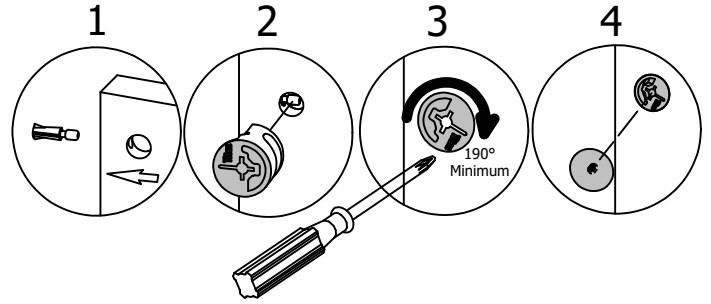
[3]

KD Cam3000



[3]

Cover Cap



STEP 41

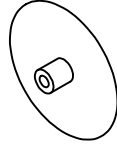
Assemble Panels

H181468US



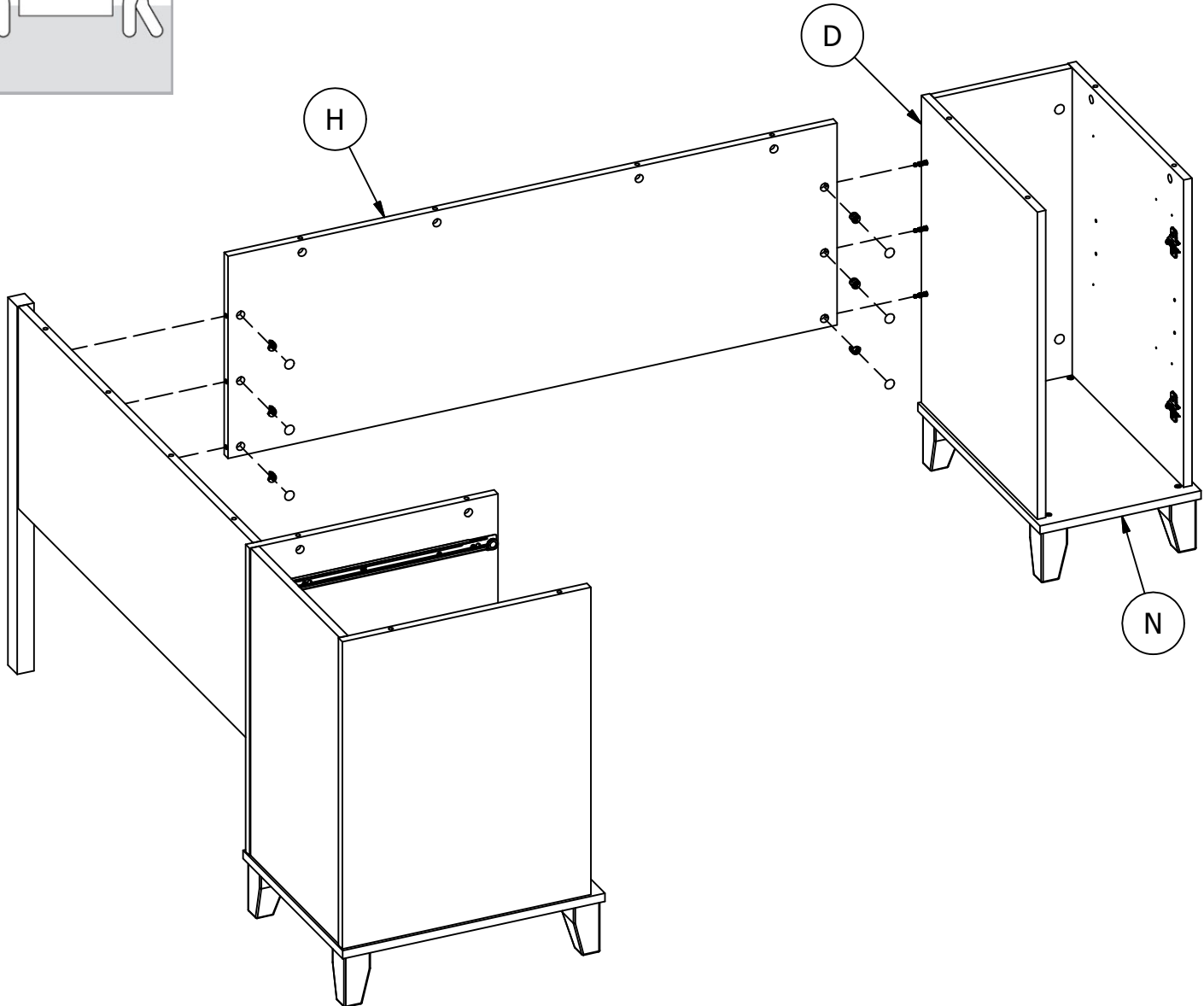
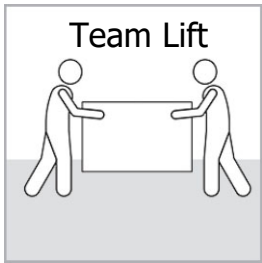
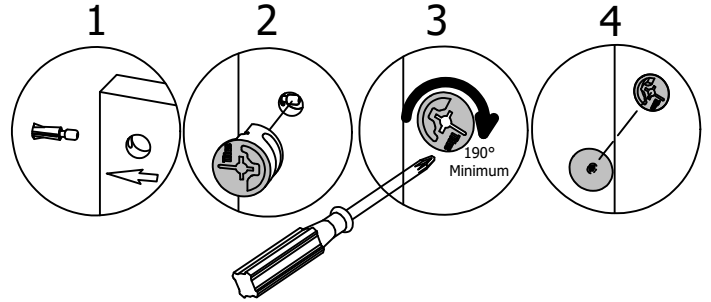
[6]

KD Cam3000



[6]

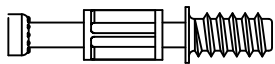
Cover Cap



STEP 42

Prepare Panel

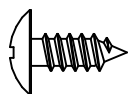
H72988



KD Bolt

[10]

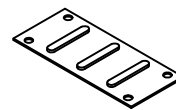
H35251



#10 x 1/2"

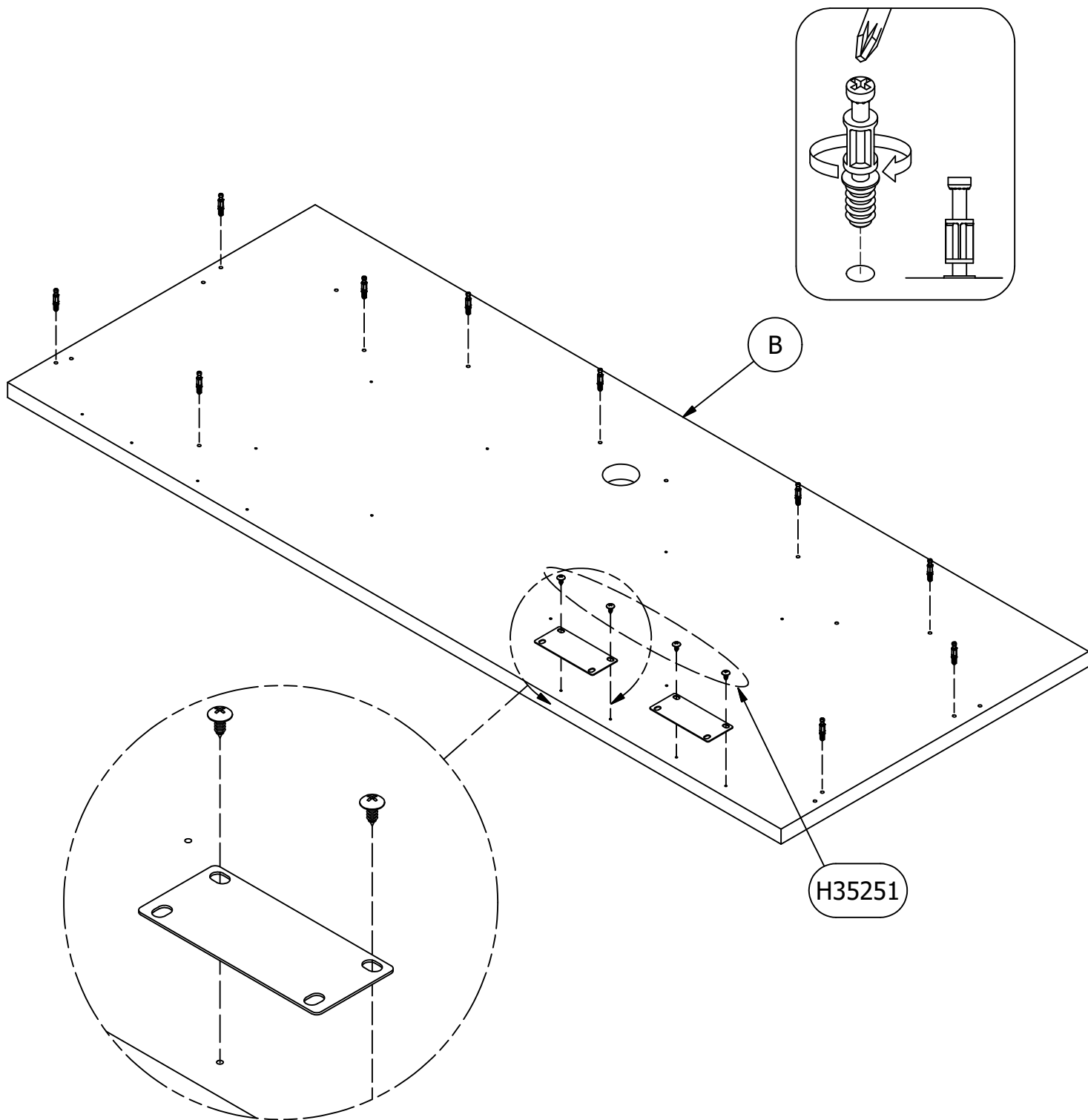
[4]

H39922



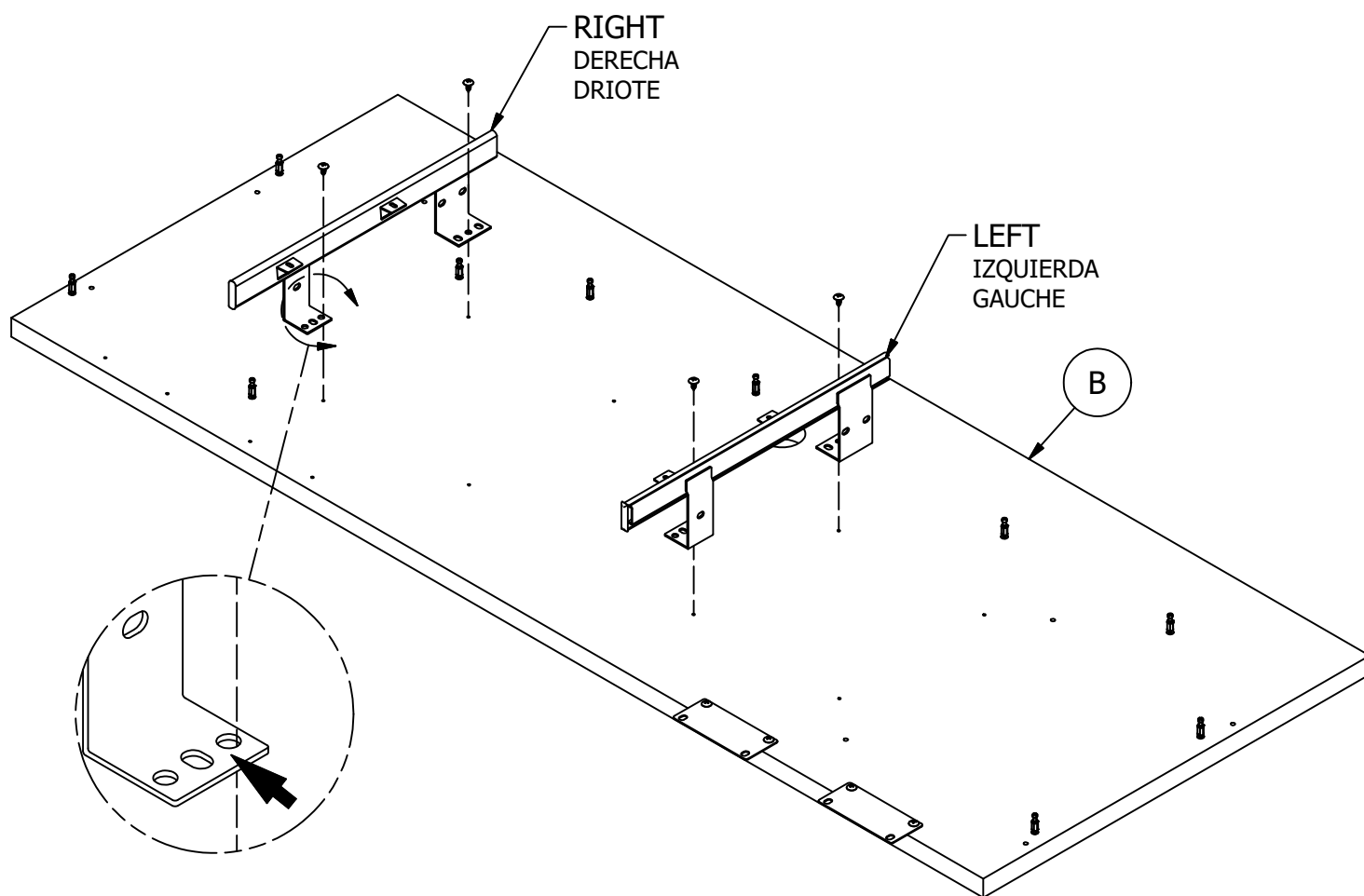
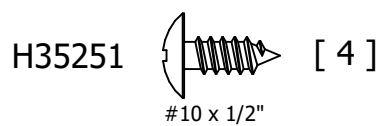
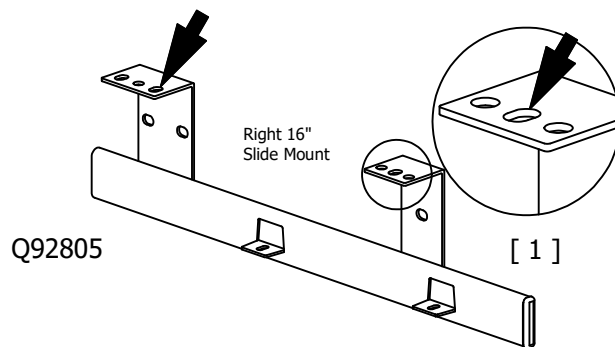
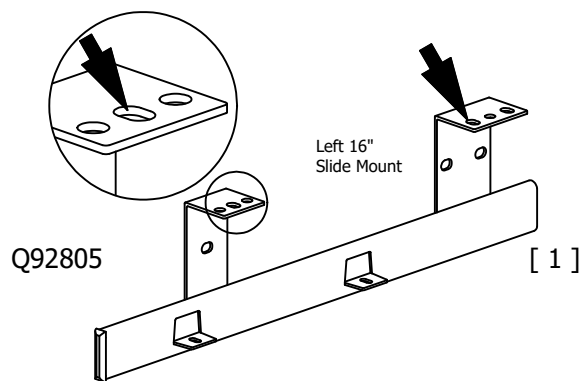
Strap

[2]



STEP 43

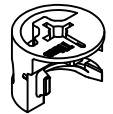
Prepare Panel



STEP 44

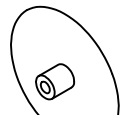
Assemble Panels

H181468US



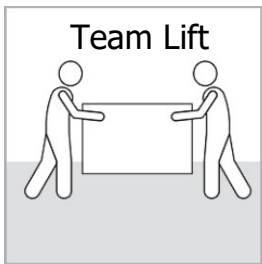
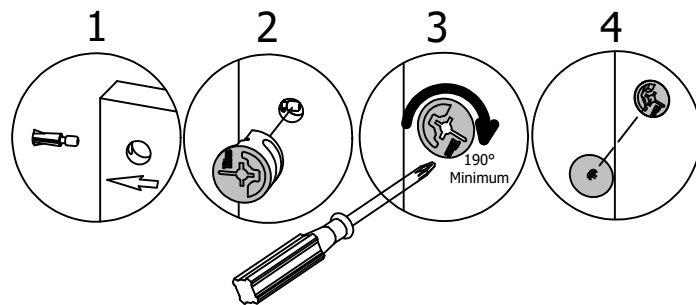
KD Cam3000

[10]

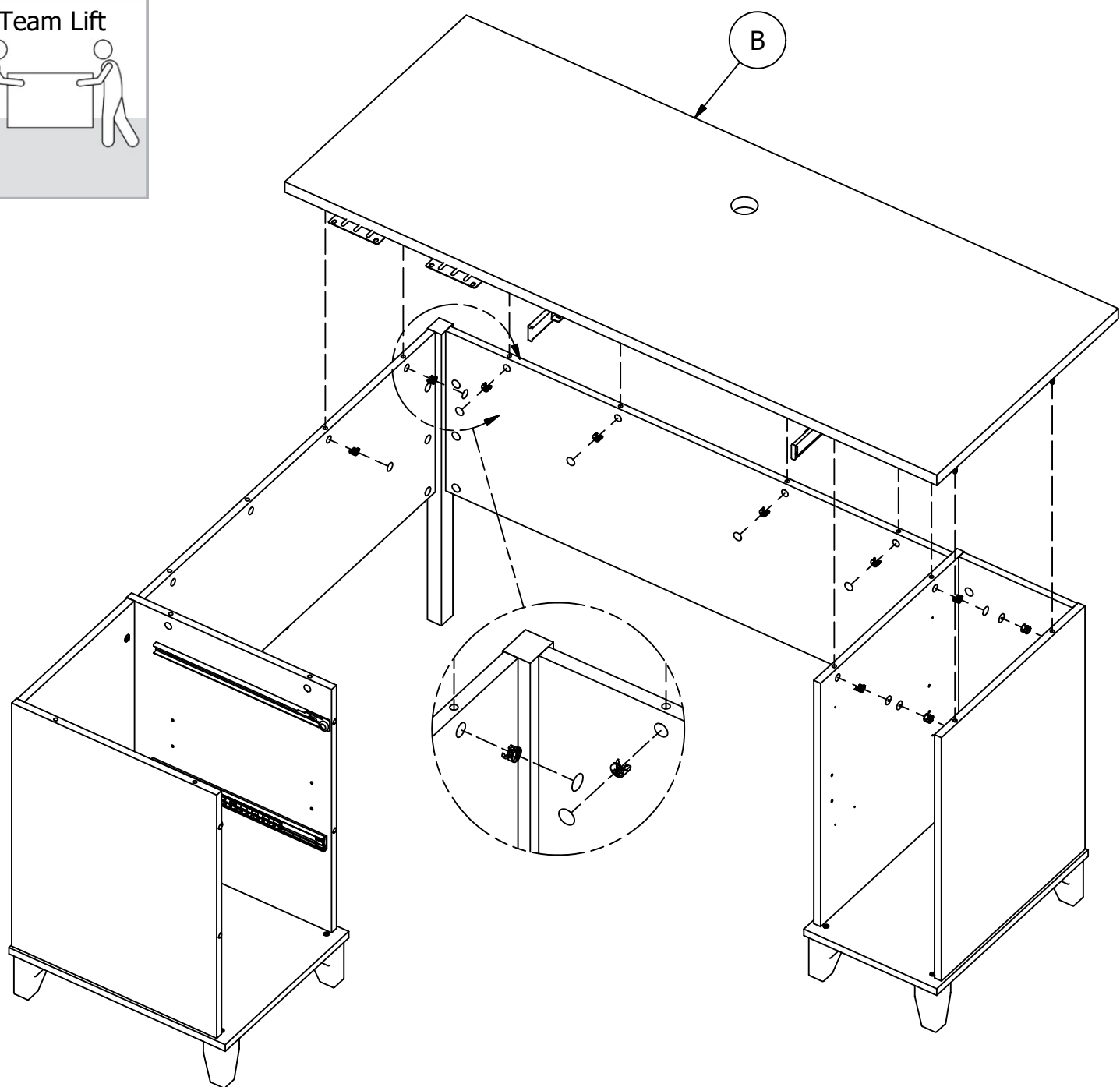


Cover Cap

[10]



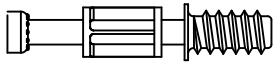
Team Lift



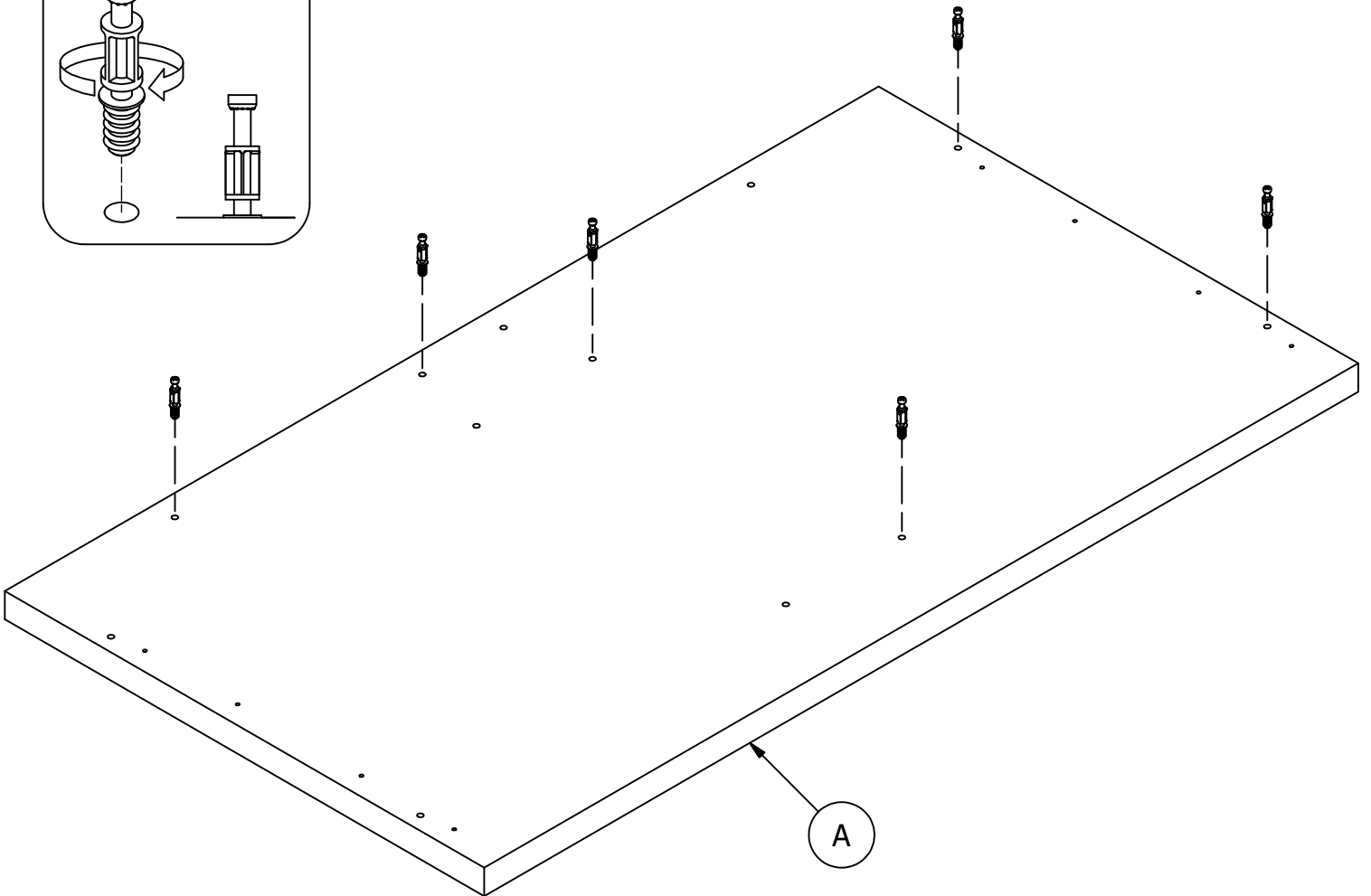
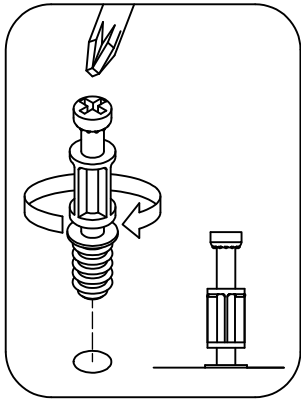
STEP 45

Prepare Panel

H72988 [6]



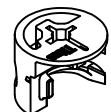
KD Bolt



STEP 46

Assemble Panels

H181468US



KD Cam3000

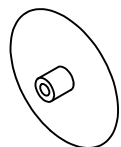
[6]

H35251



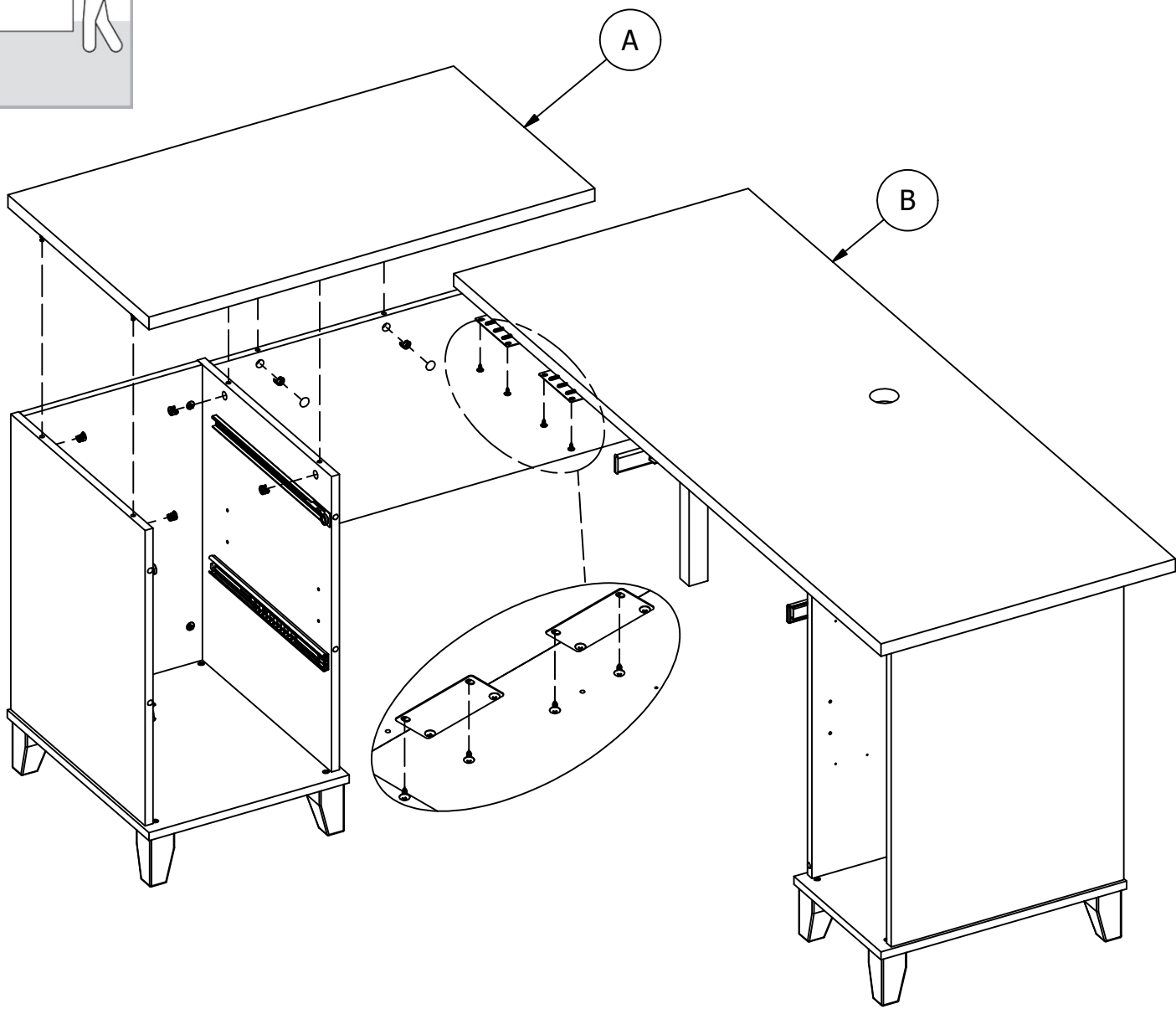
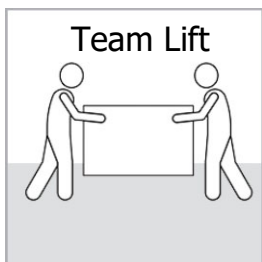
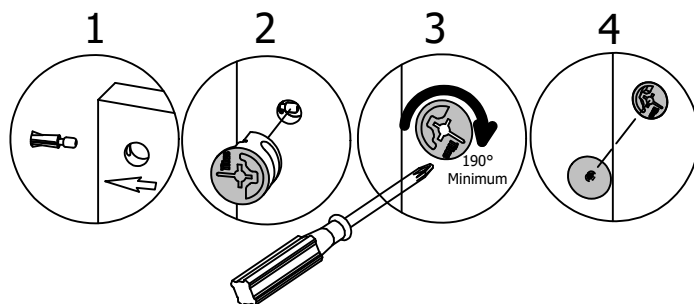
#10 x 1/2"

[4]



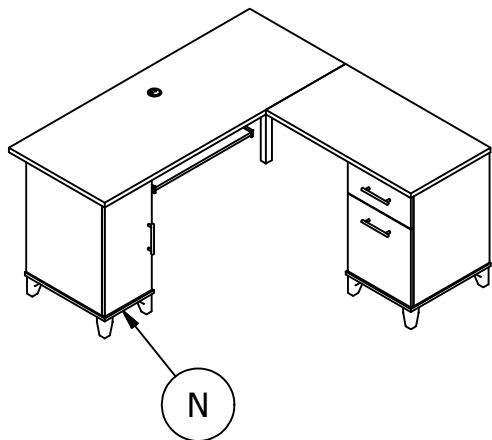
Cover Cap

[2]

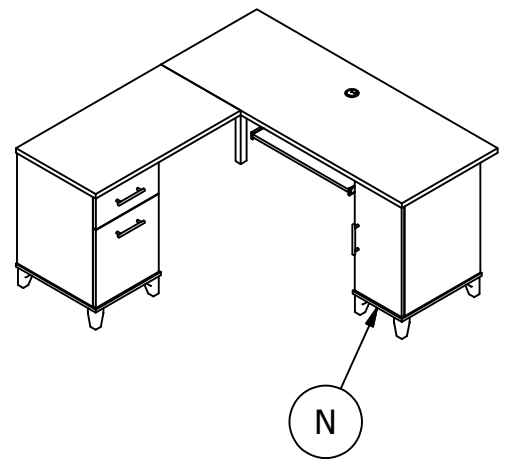


STEP 47

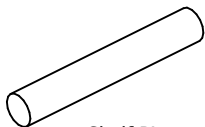
Insert Panel



Or



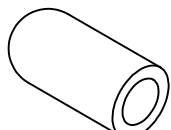
H23604



[4]

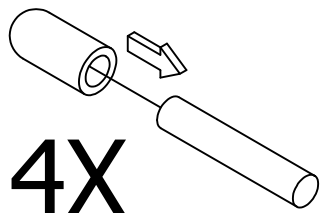
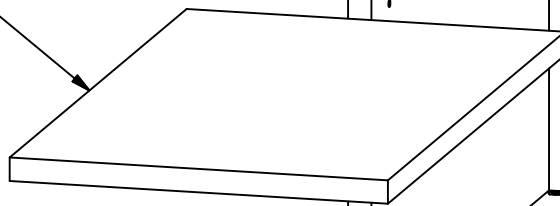
Shelf Pin

H126396

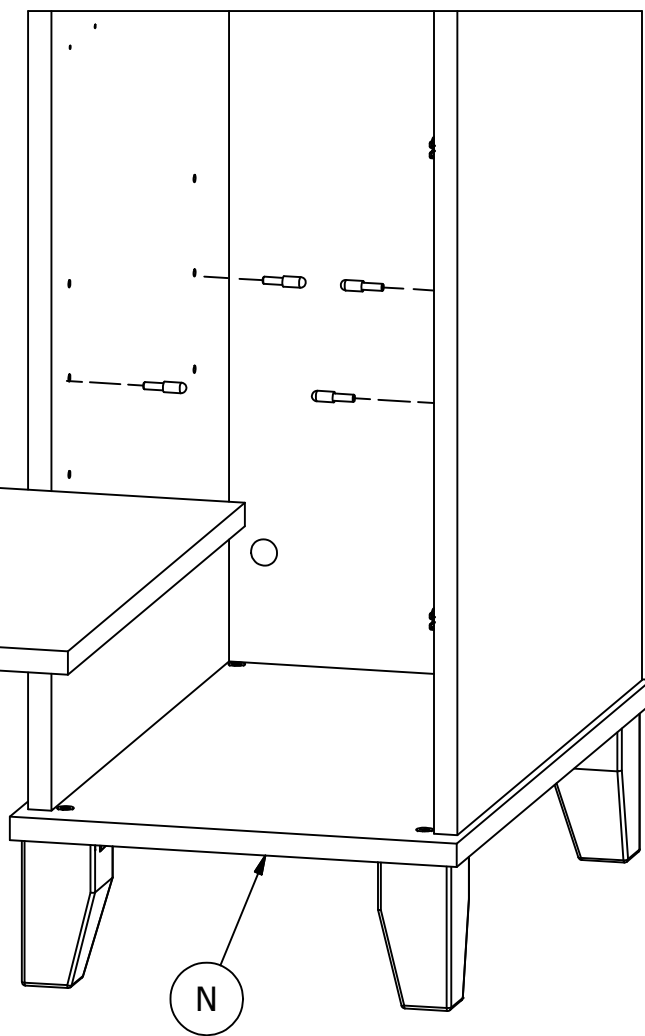


[4]

Shelf Pin Sleeve

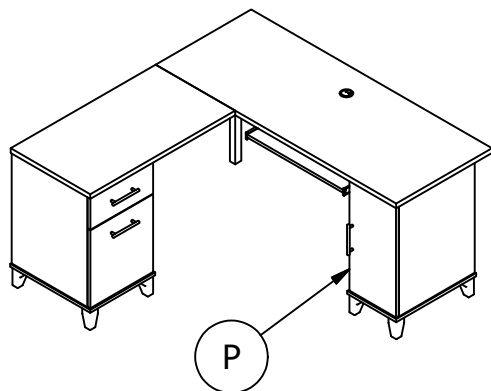


4X

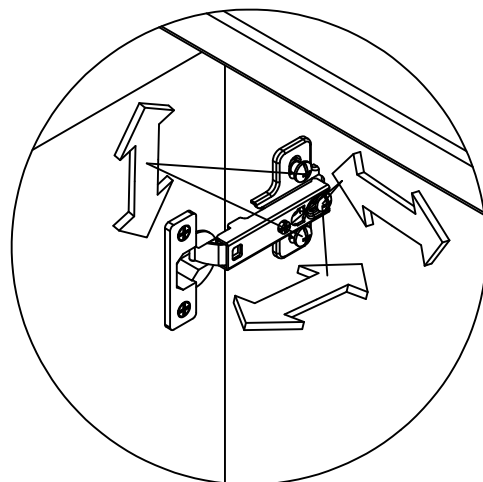
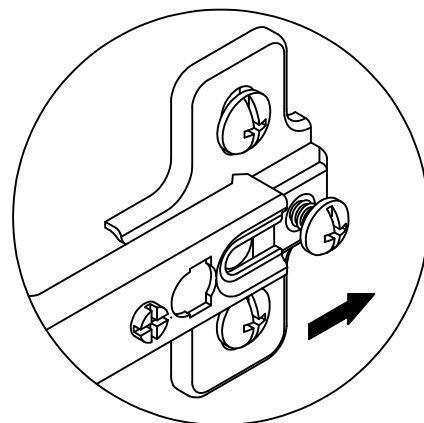
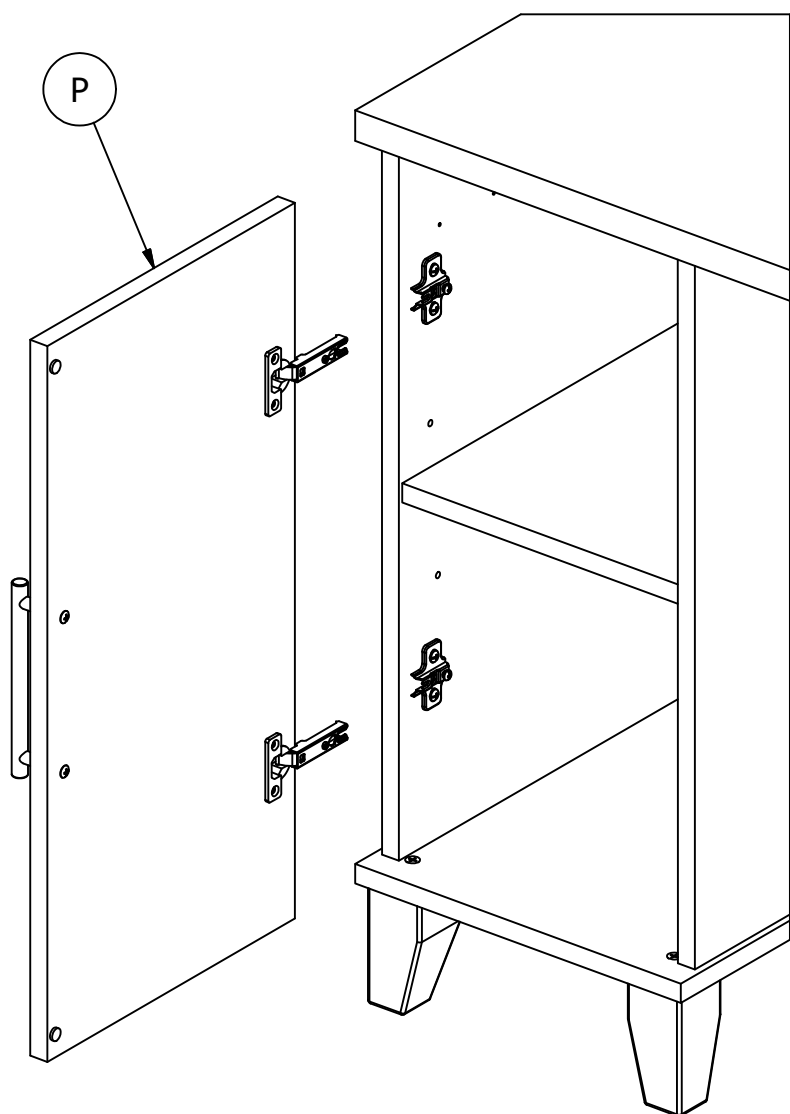
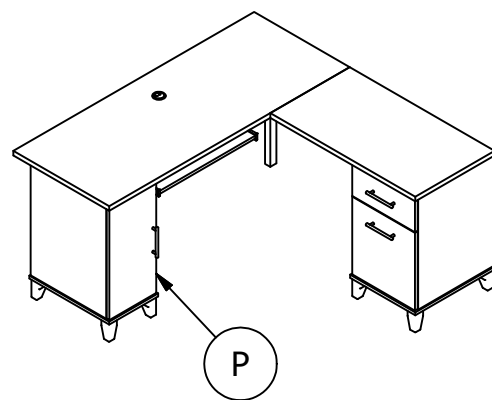


STEP 48

Attach Panel

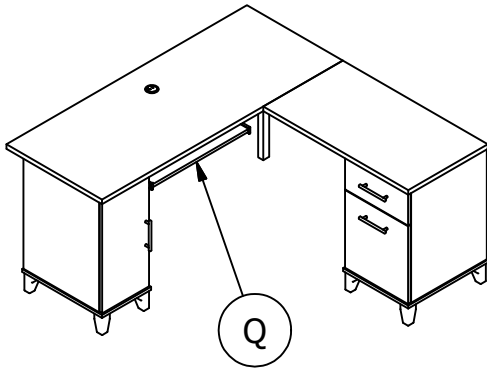


Or

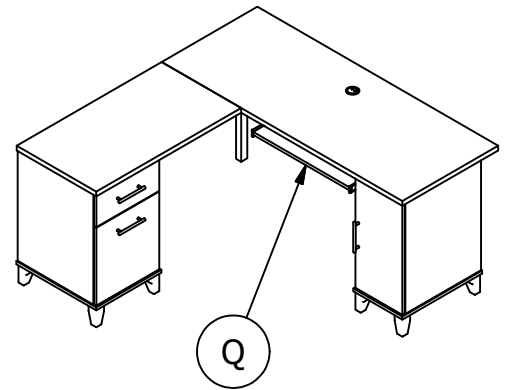


STEP 49

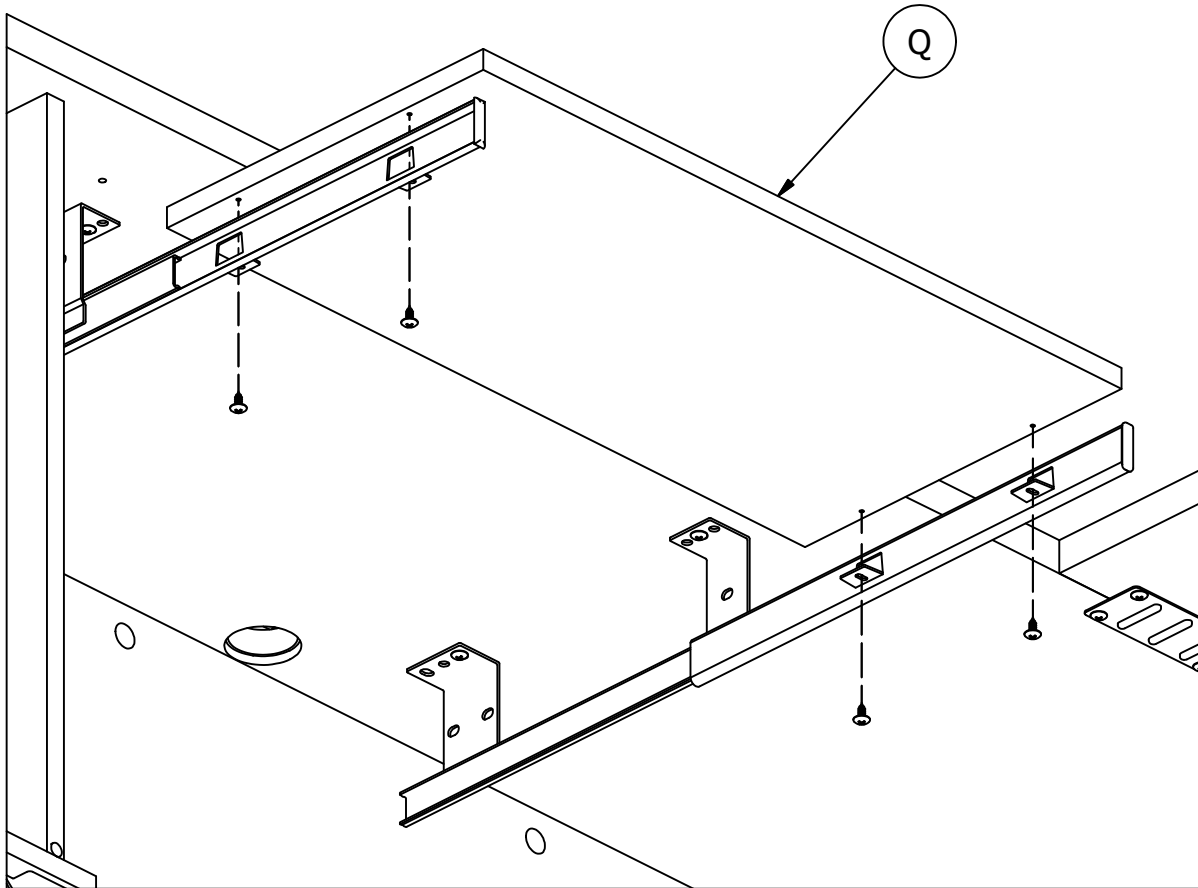
Attach Panel



Or

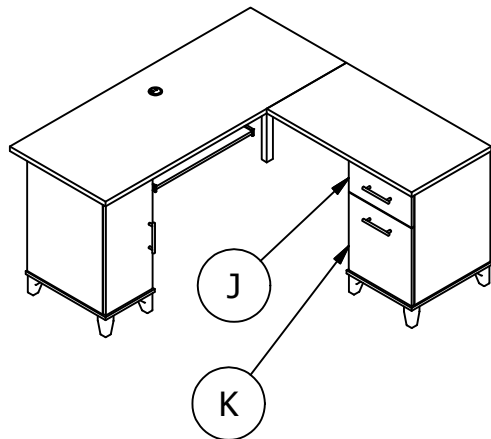


H35251 [4]
#10 x 1/2"

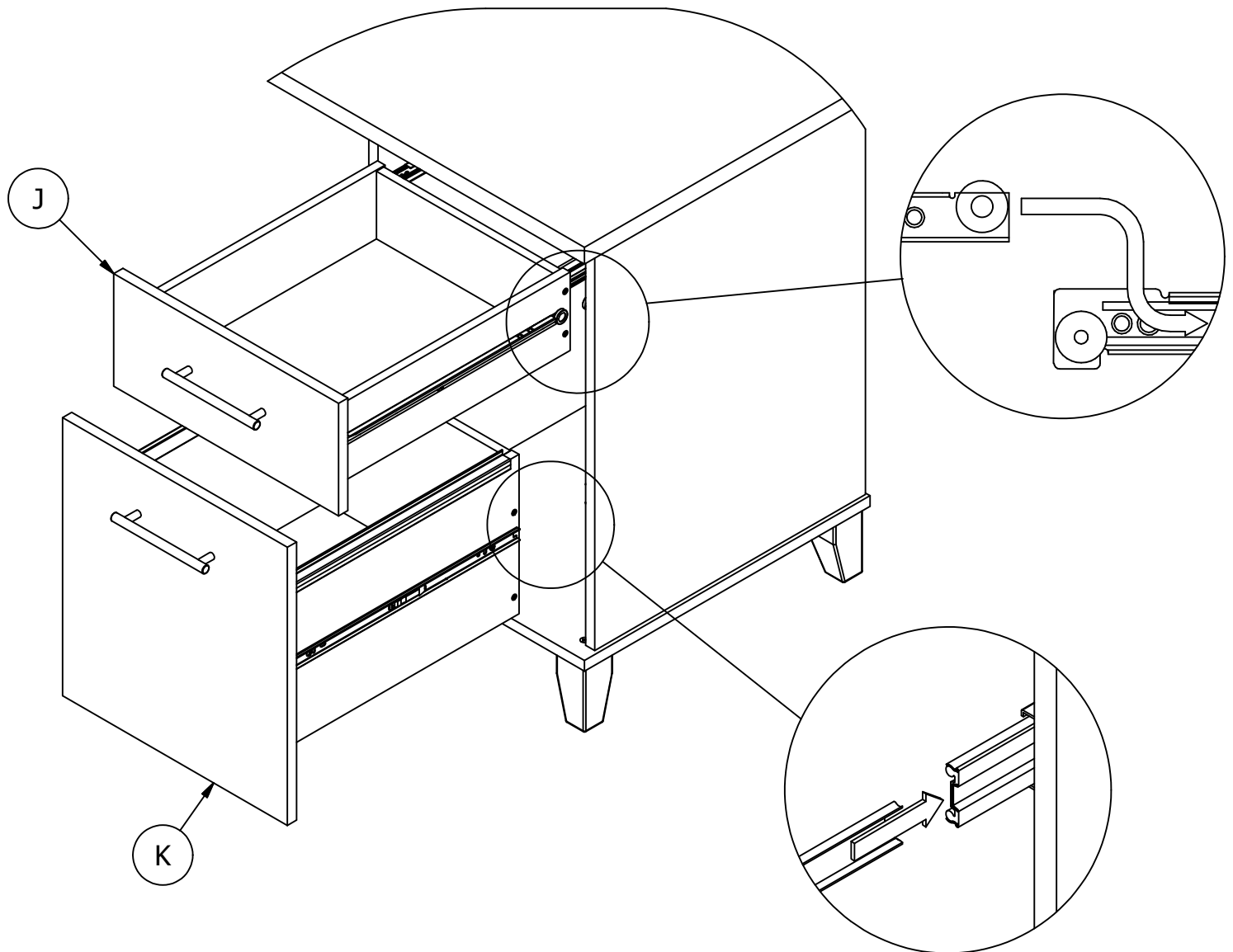
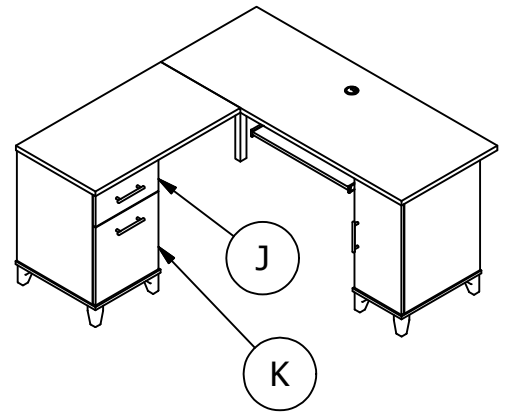


STEP 50

Insert Drawers



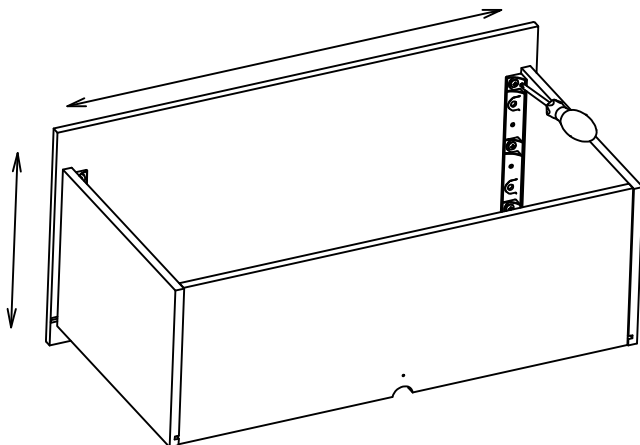
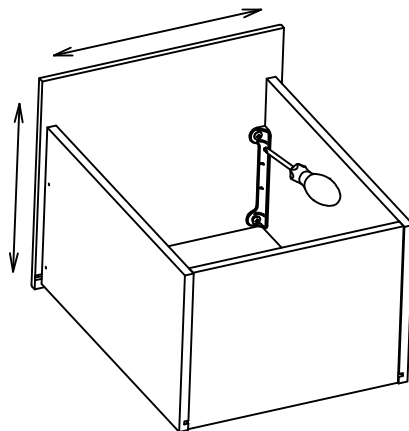
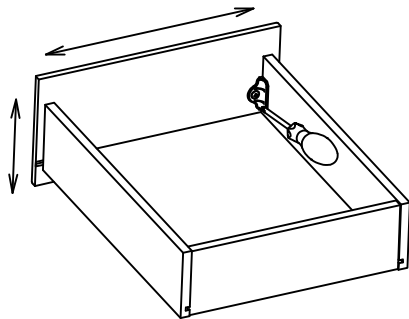
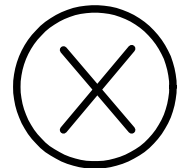
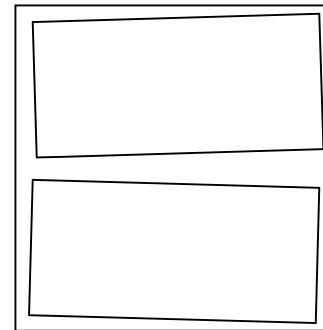
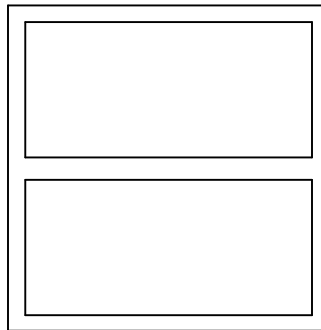
Or



STEP 51

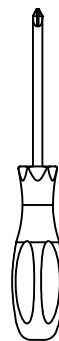
Adjust Drawer Fronts

DRAWER FRONT VIEW



REQUIRED TOOL: PHILLIPS SCREWDRIVER

HERRAMIENTA REQUERIDA: DESTORNILLADOR PHILLIPS
OUTIL REQUIS: TOURNEVIS CRUCIFORME



1. LOOSEN SCREWS.
2. ADJUST DRAWER FRONTS.
3. TIGHTEN SCREWS.

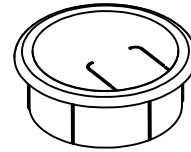
1. Afloje los tornillos
2. Ajustar frentes de cajón
3. Apriete los tornillos

1. Desserrer les vis
2. Ajuster les façades des tiroirs
3. Serrer les vis

STEP 52

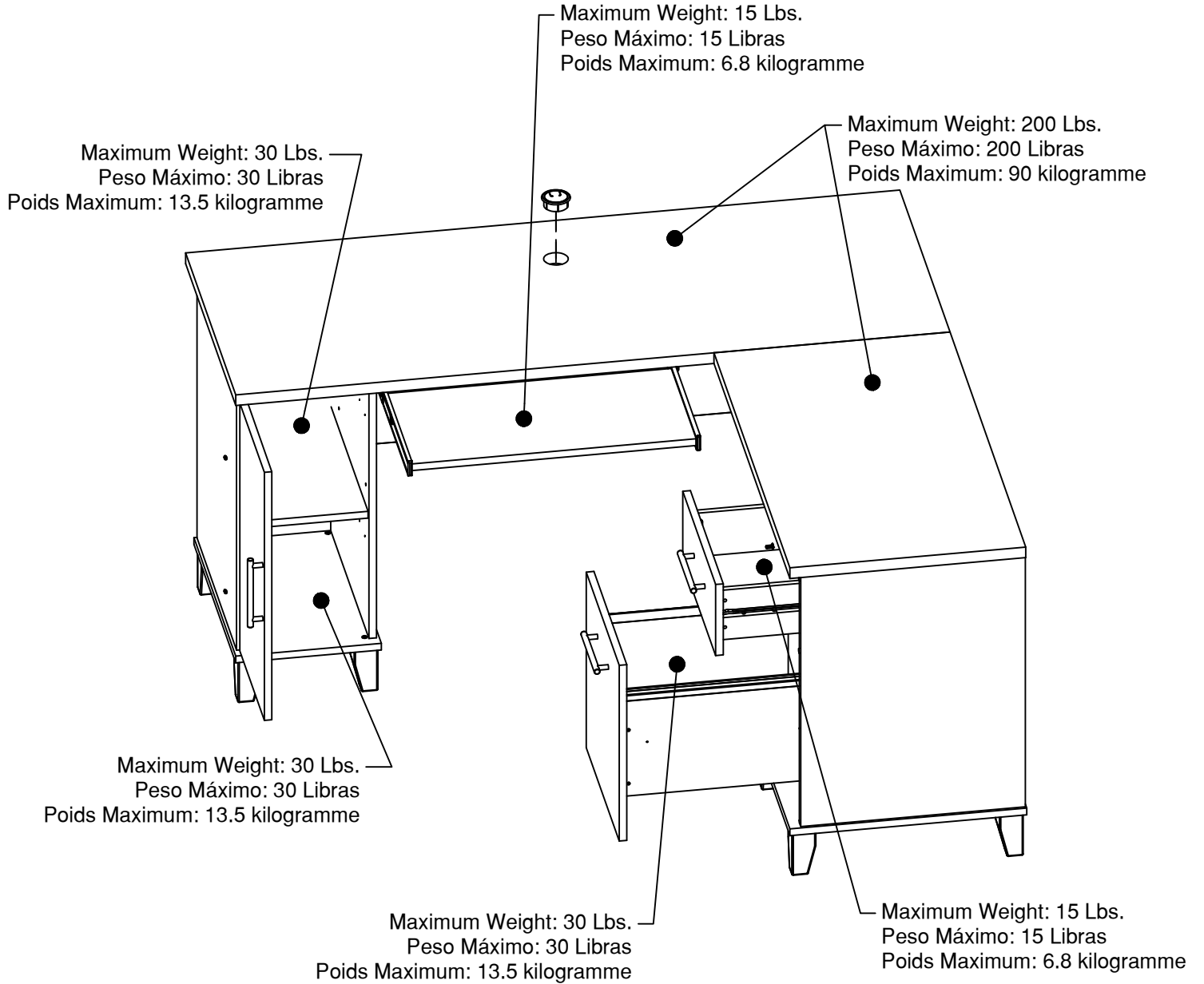
Maximum Loading and Cleaning

Gently clean surfaces with a damp sponge eraser.



Grommet

[1]

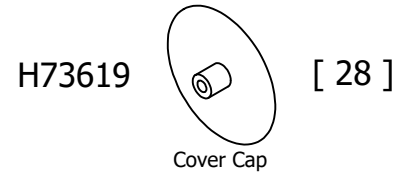
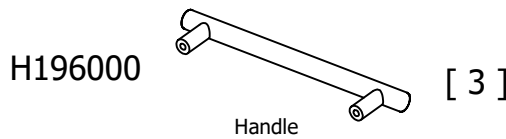
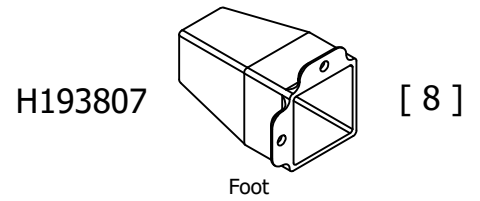
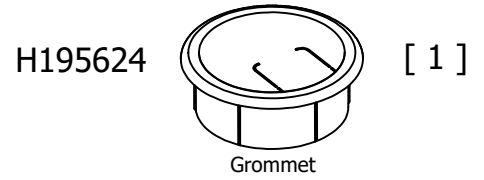


Congratulations! You are all done. If you have any questions or concerns, please call.

PARTS LIST

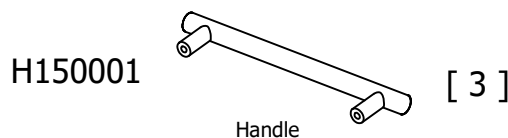
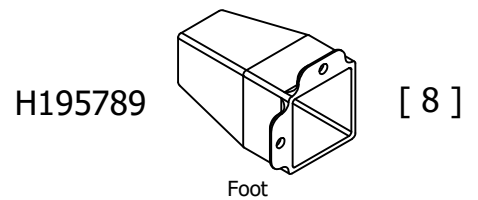
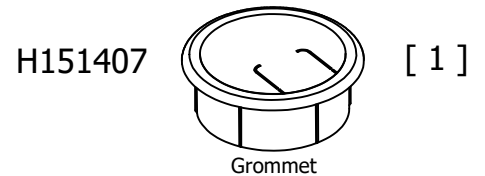
WC81030

A	W200553	[1]	N	W196055	[1]
B	W200552	[1]	O	W200724	[1]
C	W218682	[1]	P	W193865	[1]
D	W218683	[1]	Q	W200559	[1]
E	W196047	[1]	R	W193867	[1]
F	W196085	[1]	S	W193868	[1]
G	W196049	[1]	T	W106489	[2]
H	W196084	[1]	U	W192433	[1]
J	W218511	[1]	V	W215261	[2]
K	W218512	[1]	W	W218468	[1]
L	W218684	[1]	X	W87410	[2]
M	W218685	[1]			



WC81130

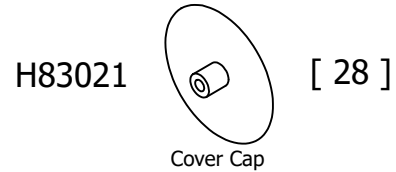
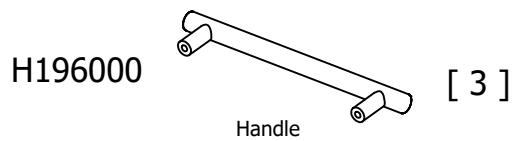
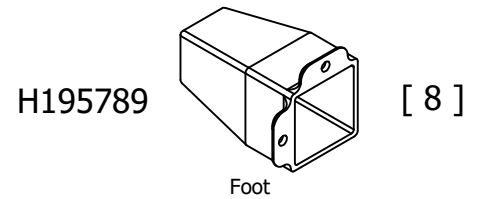
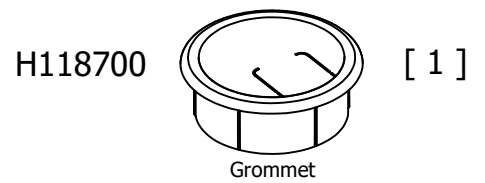
A	W200498	[1]	N	W200467	[1]
B	W200495	[1]	O	W200468	[1]
C	W218686	[1]	P	W200469	[1]
D	W218687	[1]	Q	W200472	[1]
E	W200459	[1]	R	W200470	[1]
F	W200497	[1]	S	W200471	[1]
G	W200461	[1]	T	W106489	[2]
H	W200496	[1]	U	W192433	[1]
J	W218513	[1]	V	W215261	[2]
K	W218514	[1]	W	W218468	[1]
L	W218688	[1]	X	W87410	[2]
M	W218689	[1]			



PARTS LIST

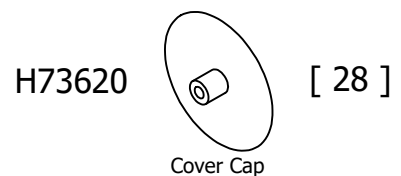
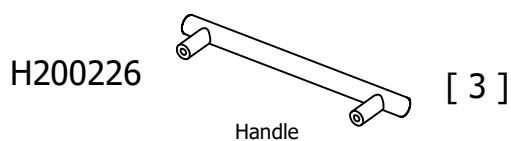
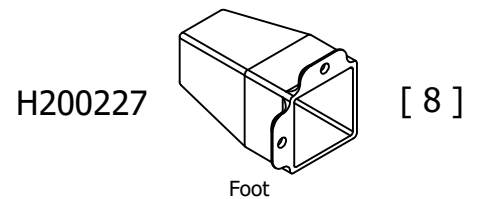
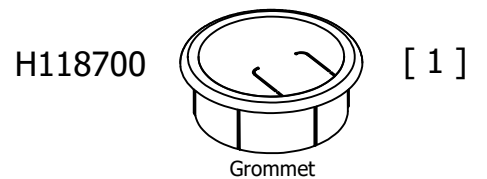
WC81230

A	W195879	[1]	N	W195848	[1]
B	W195876	[1]	O	W195849	[1]
C	W218690	[1]	P	W195850	[1]
D	W218691	[1]	Q	W195853	[1]
E	W195840	[1]	R	W195851	[1]
F	W195878	[1]	S	W195852	[1]
G	W195842	[1]	T	W106489	[2]
H	W195877	[1]	U	W192433	[1]
J	W218515	[1]	V	W215261	[2]
K	W218516	[1]	W	W218468	[1]
L	W218692	[1]	X	W87410	[2]
M	W218693	[1]			



WC81330

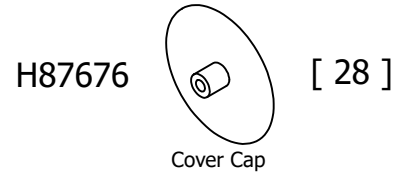
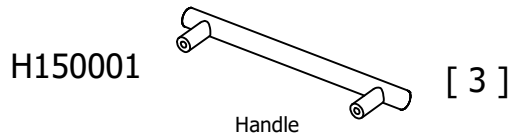
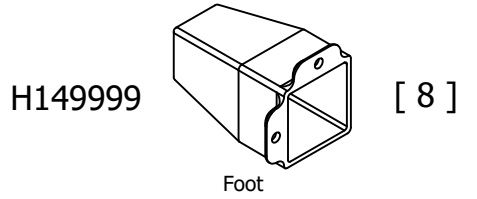
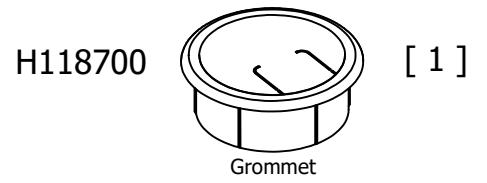
A	W200404	[1]	N	W200373	[1]
B	W200401	[1]	O	W200374	[1]
C	W218694	[1]	P	W200375	[1]
D	W218695	[1]	Q	W200378	[1]
E	W200365	[1]	R	W200376	[1]
F	W200403	[1]	S	W200377	[1]
G	W200367	[1]	T	W106489	[2]
H	W200402	[1]	U	W192433	[1]
J	W218517	[1]	V	W215261	[2]
K	W218518	[1]	W	W218468	[1]
L	W218696	[1]	X	W87410	[2]
M	W218697	[1]			



PARTS LIST

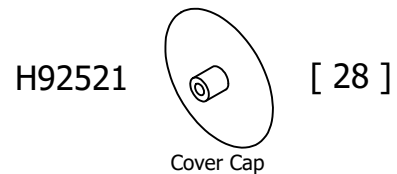
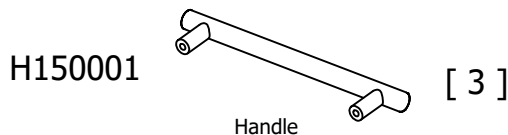
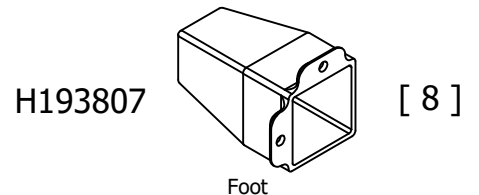
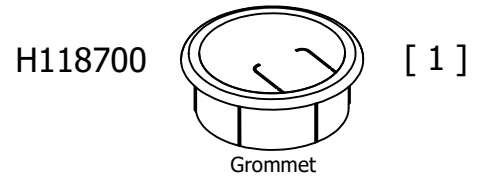
WC81430C

A	W187442	[1]	N	W187372	[1]
B	W187439	[1]	O	W187373	[1]
C	W218698	[1]	P	W187374	[1]
D	W218699	[1]	Q	W195729	[1]
E	W187364	[1]	R	W187376	[1]
F	W187441	[1]	S	W187377	[1]
G	W187366	[1]	T	W106489	[2]
H	W187440	[1]	U	W192433	[1]
J	W218519	[1]	V	W215261	[2]
K	W218520	[1]	W	W218468	[1]
L	W218700	[1]	X	W87410	[2]
M	W218701	[1]			



WC81530

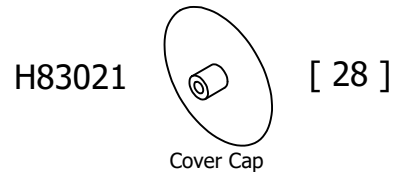
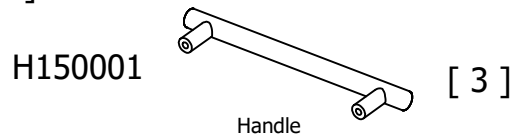
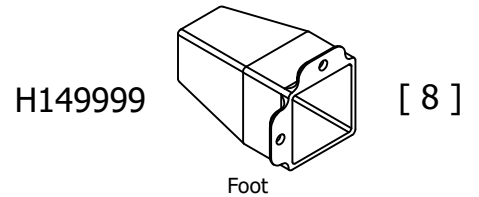
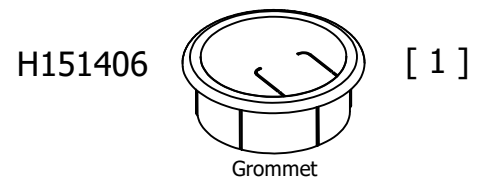
A	W193872	[1]	N	W193863	[1]
B	W193869	[1]	O	W193864	[1]
C	W218702	[1]	P	W193865	[1]
D	W218703	[1]	Q	W195730	[1]
E	W193855	[1]	R	W193867	[1]
F	W193871	[1]	S	W193868	[1]
G	W193857	[1]	T	W106489	[2]
H	W193870	[1]	U	W192433	[1]
J	W218511	[1]	V	W215261	[2]
K	W218512	[1]	W	W218468	[1]
L	W218704	[1]	X	W87410	[2]
M	W218705	[1]			



PARTS LIST

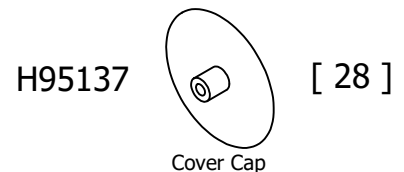
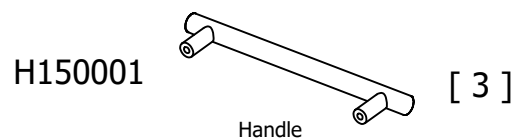
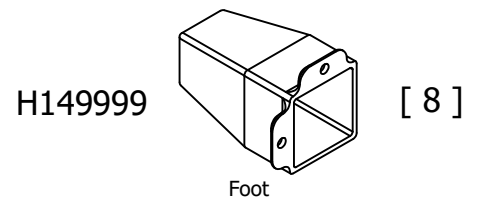
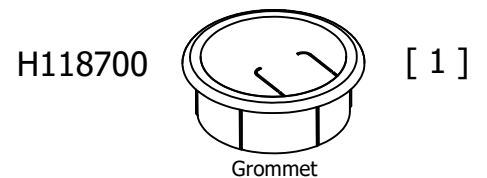
WC81630

A	W186367	[1]	N	W186350	[1]
B	W186368	[1]	O	W186375	[1]
C	W218706	[1]	P	W186365	[1]
D	W218707	[1]	Q	W195731	[1]
E	W186353	[1]	R	W186363	[1]
F	W186369	[1]	S	W186364	[1]
G	W186354	[1]	T	W106489	[2]
H	W186370	[1]	U	W192433	[1]
J	W218523	[1]	V	W215261	[2]
K	W218524	[1]	W	W218468	[1]
L	W218708	[1]	X	W87410	[2]
M	W218709	[1]			



WC81730C

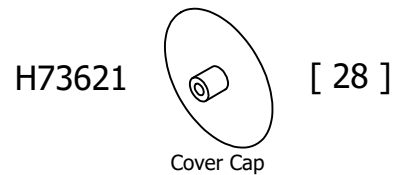
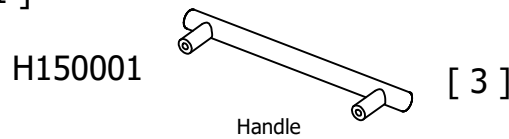
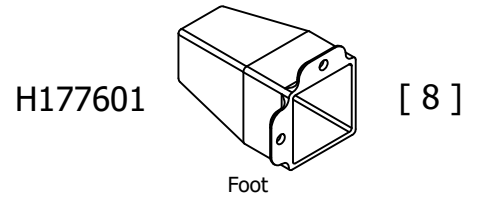
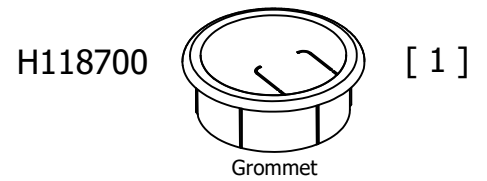
A	W187446	[1]	N	W187390	[1]
B	W187443	[1]	O	W187391	[1]
C	W218710	[1]	P	W187392	[1]
D	W218711	[1]	Q	W195732	[1]
E	W187382	[1]	R	W187394	[1]
F	W187445	[1]	S	W187395	[1]
G	W187384	[1]	T	W106489	[2]
H	W187444	[1]	U	W192433	[1]
J	W218525	[1]	V	W215261	[2]
K	W218526	[1]	W	W218468	[1]
L	W218712	[1]	X	W87410	[2]
M	W218713	[1]			



PARTS LIST

WC81830C

A	W187450	[1]	N	W187408	[1]
B	W187447	[1]	O	W187409	[1]
C	W218714	[1]	P	W187410	[1]
D	W218715	[1]	Q	W195733	[1]
E	W187400	[1]	R	W187412	[1]
F	W187449	[1]	S	W187413	[1]
G	W187402	[1]	T	W106489	[2]
H	W187448	[1]	U	W192433	[1]
J	W218527	[1]	V	W215261	[2]
K	W218528	[1]	W	W218468	[1]
L	W218716	[1]	X	W87410	[2]
M	W218717	[1]			



WC81930

A	W196086	[1]	N	W196055	[1]
B	W196083	[1]	O	W196056	[1]
C	W218682	[1]	P	W196057	[1]
D	W218683	[1]	Q	W196060	[1]
E	W196047	[1]	R	W196058	[1]
F	W196085	[1]	S	W196059	[1]
G	W196049	[1]	T	W106489	[2]
H	W196084	[1]	U	W192433	[1]
J	W218529	[1]	V	W215261	[2]
K	W218530	[1]	W	W218468	[1]
L	W218684	[1]	X	W87410	[2]
M	W218685	[1]			

